

T-66-21-55

MOTOROLA SEMICONDUCTOR TECHNICAL DATA

MC54/74HC138

1-of-8 Decoder/Demultiplexer High-Performance Silicon-Gate CMOS

The MC54/74HC138 is identical in pinout to the LS138. The device inputs are compatible with standard CMOS outputs; with pullup resistors, they are compatible with LSTTL outputs.

The HC138 decodes a three-bit Address to one-of-eight active-low outputs. This device features three Chip Select inputs, two active-low and one active-high to facilitate the demultiplexing, cascading, and chip-selecting functions. The demultiplexing function is accomplished by using the Address inputs to select the desired device output; one of the Chip Selects is used as a data input while the other Chip Selects are held in their active states.

- Output Drive Capability: 10 LSTTL Loads
- Outputs Directly Interface to CMOS, NMOS, and TTL
- Operating Voltage Range: 2 to 6 V
- Low Input Current: 1 μ A
- High Noise Immunity Characteristic of CMOS Devices
- In Compliance with the Requirements Defined by JEDEC Standard No. 7A
- Chip Complexity: 116 FETs or 29 Equivalent Gates



J SUFFIX CERAMIC CASE 620-09



N SUFFIX PLASTIC CASE 648-06



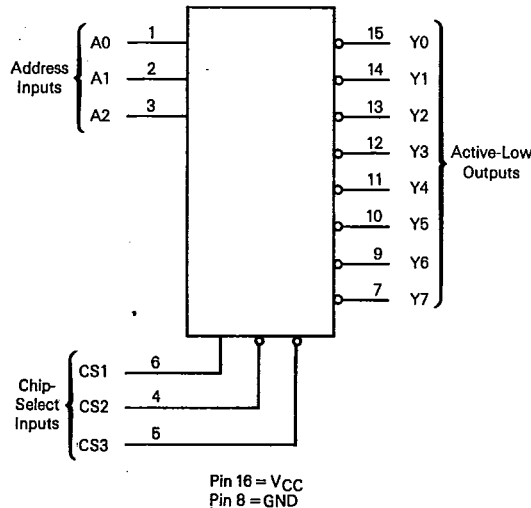
D SUFFIX SOIC CASE 751B-03

ORDERING INFORMATION

MC74HCXXN	Plastic
MC54HCXXJ	Ceramic
MC74HCXXD	SOIC

T_A = -55° to 125°C for all packages. Dimensions in Chapter 7.

LOGIC DIAGRAM



PIN ASSIGNMENT

A0	1	16	VCC
A1	2	15	Y0
A2	3	14	Y1
CS2	4	13	Y2
CS3	5	12	Y3
CS1	6	11	Y4
Y7	7	10	Y5
GND	8	9	Y6

FUNCTION TABLE

Inputs					Outputs							
CS1	CS2	CS3	A2	A1	A0	Y0	Y1	Y2	Y3	Y4	Y6	Y7
X	X	H	X	X	X	H	H	H	H	H	H	H
X	H	X	X	X	X	H	H	H	H	H	H	H
L	X	X	X	X	X	H	H	H	H	H	H	H
H	L	L	L	L	L	L	H	H	H	H	H	H
H	L	L	L	L	H	H	L	H	H	H	H	H
H	L	L	L	H	L	H	H	L	H	H	H	H
H	L	L	L	H	H	H	H	L	H	H	H	H
H	L	L	H	L	L	H	H	H	H	L	H	H
H	L	L	H	L	H	H	H	H	H	H	L	H
H	L	L	H	H	L	H	H	H	H	H	H	L

H = high level (steady state)
L = low level (steady state)
X = don't care

5

MC54/74HC138

T-66-21-55

MAXIMUM RATINGS*

Symbol	Parameter	Value	Unit
V _{CC}	DC Supply Voltage (Referenced to GND)	-0.5 to +7.0	V
V _{in}	DC Input Voltage (Referenced to GND)	-1.5 to V _{CC} +1.5	V
V _{out}	DC Output Voltage (Referenced to GND)	-0.5 to V _{CC} +0.5	V
I _{in}	DC Input Current, per Pin	±20	mA
I _{out}	DC Output Current, per Pin	±25	mA
I _{CC}	DC Supply Current, V _{CC} and GND Pins	±50	mA
P _D	Power Dissipation in Still Air, Plastic or Ceramic DIP† SOIC Package†	750 500	mW
T _{stg}	Storage Temperature	-65 to +160	°C
T _L	Lead Temperature, 1 mm from Case for 10 Seconds (Plastic DIP or SOIC Package) (Ceramic DIP)	260 300	°C

This device contains protection circuitry to guard against damage due to high static voltages or electric fields. However, precautions must be taken to avoid applications of any voltage higher than maximum rated voltages to this high-impedance circuit. For proper operation, V_{in} and V_{out} should be constrained to the range GND ≤ (V_{in} or V_{out}) ≤ V_{CC}. Unused inputs must always be tied to an appropriate logic voltage level (e.g., either GND or V_{CC}). Unused outputs must be left open.

*Maximum Ratings are those values beyond which damage to the device may occur. Functional operation should be restricted to the Recommended Operating Conditions.

†Derating — Plastic DIP: -10 mW/°C from 65° to 125°C
Ceramic DIP: -10 mW/°C from 100° to 125°C
SOIC Package: -7 mW/°C from 65° to 125°C

For high frequency or heavy load considerations, see Chapter 4.

RECOMMENDED OPERATING CONDITIONS

Symbol	Parameter	Min	Max	Unit
V _{CC}	DC Supply Voltage (Referenced to GND)	2.0	6.0	V
V _{in} , V _{out}	DC Input Voltage, Output Voltage (Referenced to GND)	0	V _{CC}	V
T _A	Operating Temperature, All Package Types	-55	+125	°C
t _r , t _f	Input Rise and Fall Time (Figure 2)	V _{CC} =2.0 V V _{CC} =4.5 V V _{CC} =6.0 V	0 0 0	1000 500 400 ns

DC ELECTRICAL CHARACTERISTICS (Voltages Referenced to GND)

Symbol	Parameter	Test Conditions	V _{CC} V	Guaranteed Limit			Unit
				25°C to -55°C	≤85°C	≤125°C	
V _{IH}	Minimum High-Level Input Voltage	V _{out} =0.1 V or V _{CC} -0.1 V I _{out} ≤ 20 μA	2.0	1.5	1.5	1.5	V
			4.5	3.15	3.15	3.15	
			6.0	4.2	4.2	4.2	
V _{IL}	Maximum Low-Level Input Voltage	V _{out} =0.1 V or V _{CC} -0.1 V I _{out} ≤ 20 μA	2.0	0.3	0.3	0.3	V
			4.5	0.9	0.9	0.9	
			6.0	1.2	1.2	1.2	
V _{OH}	Minimum High-Level Output Voltage	V _{in} =V _{IH} or V _{IL} I _{out} ≤ 20 μA	2.0	1.9	1.9	1.9	V
			4.5	4.4	4.4	4.4	
			6.0	5.9	5.9	5.9	
V _{OL}	Maximum Low-Level Output Voltage	V _{in} =V _{IH} or V _{IL} I _{out} ≤ 20 μA	2.0	0.1	0.1	0.1	V
			4.5	0.1	0.1	0.1	
			6.0	0.1	0.1	0.1	
I _{in}	Maximum Input Leakage Current	V _{in} =V _{CC} or GND I _{out} ≤ 4.0 mA I _{out} ≤ 5.2 mA	4.5	0.26	0.33	0.40	μA
			6.0	0.26	0.33	0.40	
			6.0	±0.1	±1.0	±1.0	
I _{CC}	Maximum Quiescent Supply Current (per Package)	V _{in} =V _{CC} or GND I _{out} =0 μA	6.0	8	80	160	μA

NOTE: Information on typical parametric values can be found in Chapter 4.

5

MC54/74HC138

T-66-21-55

AC ELECTRICAL CHARACTERISTICS (C_L = 50 pF, Input t_r = t_f = 6 ns)

Symbol	Parameter	V _{CC} V	Guaranteed Limit			Unit
			25°C to -55°C	≤85°C	≤125°C	
t _{PLH}	Maximum Propagation Delay, Input A to Output Y (Figures 1 and 4)	2.0	150	190	225	ns
		4.5	30	38	45	
		6.0	26	33	38	
t _{PHL}		2.0	200	250	300	
		4.5	40	50	60	
		6.0	34	43	51	
t _{PLH} , t _{PHL}	Maximum Propagation Delay, CS1 to Output Y (Figures 2 and 4)	2.0	150	190	225	ns
		4.5	30	38	45	
		6.0	26	33	38	
t _{PLH}	Maximum Propagation Delay, CS2 or CS3 to Output Y (Figures 3 and 4)	2.0	150	190	225	ns
		4.5	30	38	45	
		6.0	26	33	38	
t _{PHL}		2.0	175	220	265	
		4.5	35	44	53	
		6.0	30	37	45	
t _{TLH} , t _{THL}	Maximum Output Transition Time, Any Output (Figures 2 and 4)	2.0	75	95	110	ns
		4.5	15	19	22	
		6.0	13	16	19	
C _{in}	Maximum Input Capacitance	—	10	10	10	pF

NOTES:

1. For propagation delays with loads other than 50 pF, see Chapter 4.
2. Information on typical parametric values can be found in Chapter 4.

CPD	Power Dissipation Capacitance (Per Package) Used to determine the no-load dynamic power consumption: P _D = CPD V _{CC} ² f + I _{CC} V _{CC} For load considerations, see Chapter 4.	Typical @ 25°C, V _{CC} = 5.0 V	pF
		55	

SWITCHING WAVEFORMS

FIGURE 1

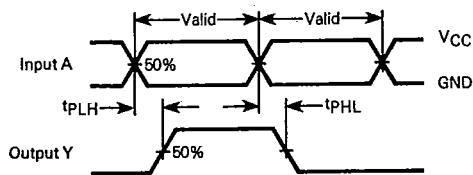


FIGURE 2

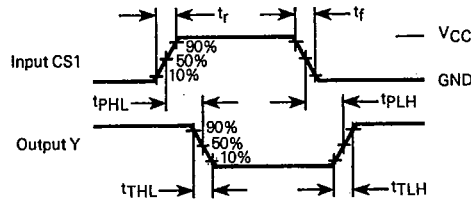


FIGURE 3

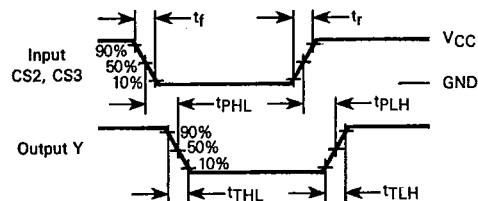
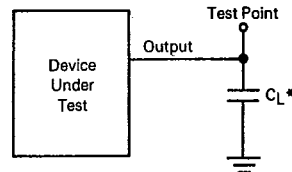


FIGURE 4 - TEST CIRCUIT



* Includes all probe and jig capacitance.

MC54/74HC138

T-66-21-55

PIN DESCRIPTIONS

ADDRESS INPUTS

A0, A1, A2 (PINS 1, 2, 3) — Address inputs. These inputs, when the chip is selected, determine which of the eight outputs is active-low.

CONTROL INPUTS

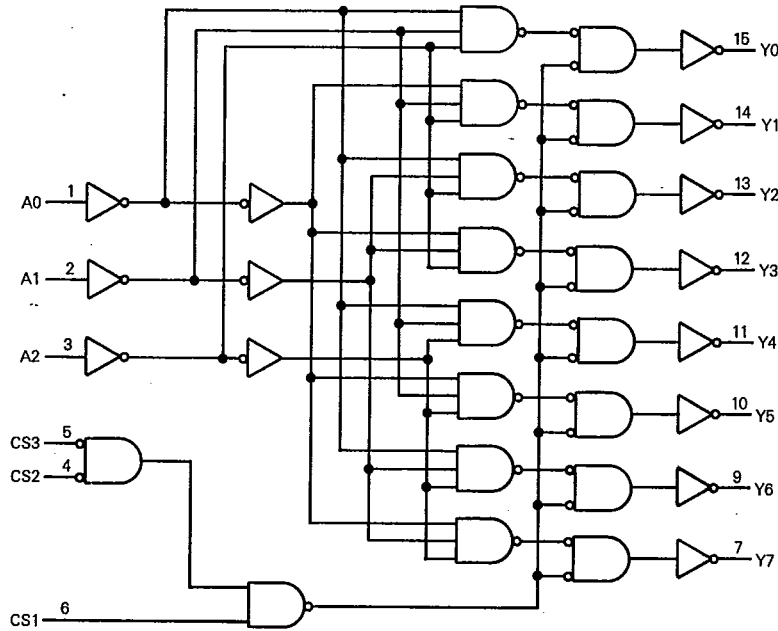
CS1, CS2, CS3 (PINS 6, 4, 5) — Chip select inputs. For CS1 at a high level and CS2, CS3 at a low level, the chip is selected and the

outputs follow the Address inputs. For any other combination of CS1, CS2, and CS3, the outputs are at a logic high.

OUTPUTS

Y0-Y7 (PINS 15, 14, 13, 12, 11, 10, 9, 7) — Active-low Decoded outputs. These outputs assume a low level when addressed and the chip is selected. These outputs remain high when not addressed or the chip is not selected.

EXPANDED LOGIC DIAGRAM



5