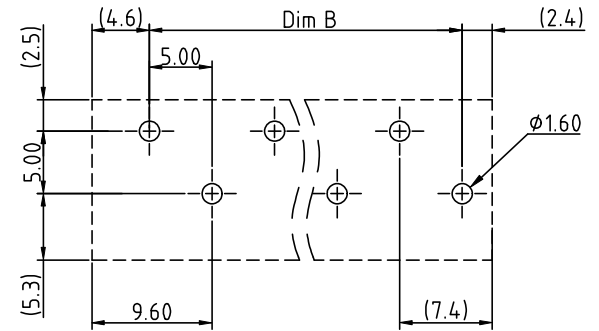
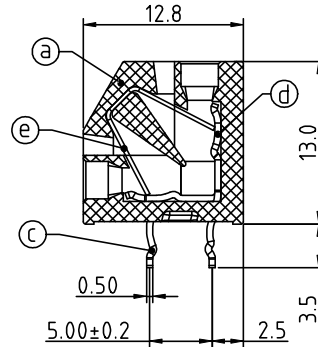
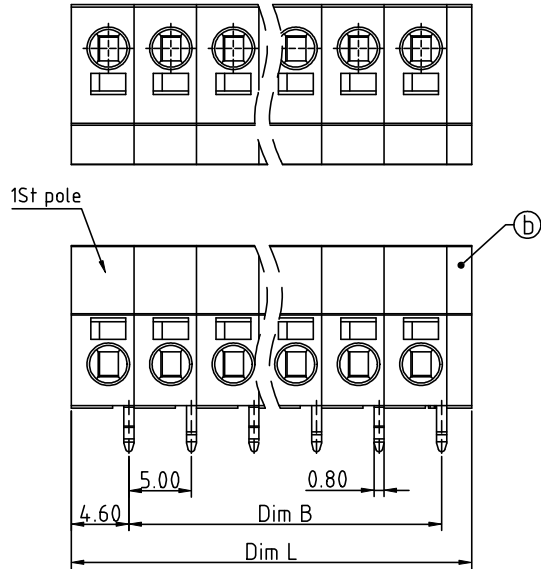


PRODUCT NUMBER	PITCH
H7xx00x300J0G	5.00 mm



RECOMMENDED P.C.B LAYOUT
TOP VIEW

Material:

- Itemⓐ Insulating body: Thermoplastic (UL94V-0)
- Itemⓑ Insulating cover: Thermoplastic (UL94V-0)
- Itemⓒ Contact on Center pin: Brass, Tin plated
- Itemⓓ Contact on Side pin: Brass, Tin plated
- Itemⓔ Spring clamp: Stainless steel

Electrical

- cULus
- Voltage rating: 300VAC
- Current rating: 8A
- Wire range:
- Solid wire(AWG): 16-20
- Stranded wire(AWG): 16-20
- Wire strip length: 7-8mm
- Withstanding Voltage: 1.6KV
- Operating temperature: -40°C to +115°C
- Soldering temperature: 260°C±5°C/5 Sec
- Safety Approval:

N=Number of poles
Dim L=N×5.0+2.0
Dim B=(N-1)×5.0

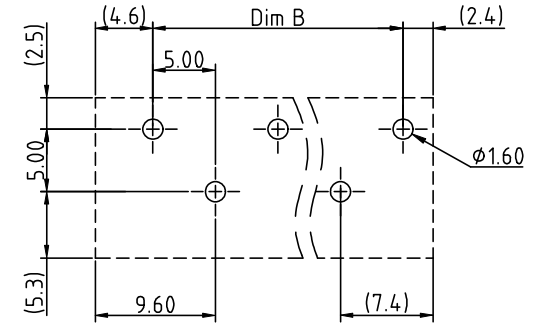
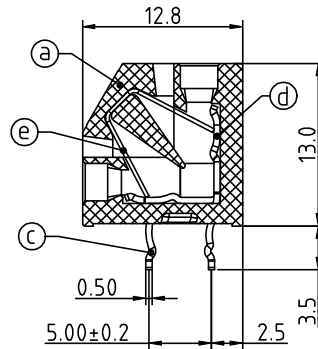
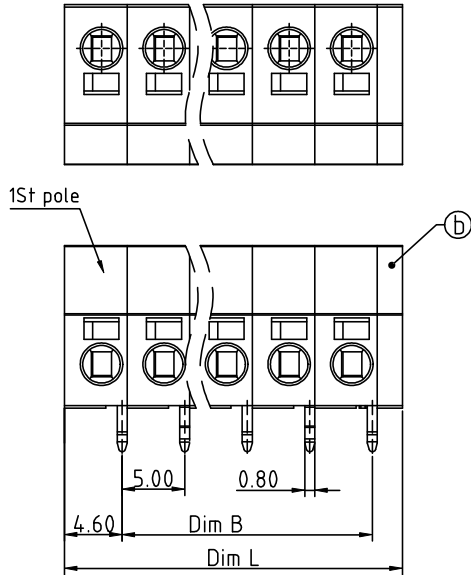
POLES	Tolerance
2p/4p/6p	±0.15
8p/10p/12p	±0.20
14p/16p/18p	±0.25
20p/22p/24p	±0.30

PART NO.: H7 xx 00 x 3 00J0 G

- | | | |
|-----------------|---------------------|-----------------|
| End stackable 0 | Color | RoHS compliant |
| No. of poles 2 | Black (RAL9005) | (lead<4%) |
| 02 2 poles | Red (RAL3001/D) | In copper Alloy |
| 04 4 poles | 3 Orange(RAL2011/P) | |
| ... | 4 Yellow(RAL1018/A) | |
| 24 24 poles | 5 Green(RAL6018/T) | |
| | 6 Blue (RAL5015/A) | |
| | 8 Grey(RAL7004/D) | |
| | 9 White(RAL1102) | |
| | C Multiple colors | |

mat'l. code				surface ASME Y14.5	tolerance ASME Y14.5	projection 	product family TERMINAL BLOCK		
ltr	ecn no	dr	date	tolerances unless otherwise specified			title TERMINAL BLOCK		
				angles X±1°	X.±0.5	MM	scale SPRING CLAMP, 90D AND 180D WIRE INLET, EVEN POLES		
				linear X.XX±0.3	X.XX±0.1		sheet 1 of 2 size		
				dr	EVIN ZHONG	052614	A4		
				enr	EVIN ZHONG	052614	H7xx00x300J0G		
				chr	HANKE FENG	052614	type CUSTOMER Drawing		
				appd	SHI JUN	052614			
sheet index	revision sheet	A	1						

PRODUCT NUMBER	PITCH
H7xx00x300J0G	5.00 mm



RECOMMENDED P.C.B LAYOUT
TOP VIEW

Material:

- Item**a** Insulating body: Thermoplastic (UL94V-0)
- Item**b** Insulating cover: Thermoplastic (UL94V-0)
- Item**c** Contact on Center pin: Brass, Tin plated
- Item**d** Contact on Side pin: Brass, Tin plated
- Item**e** Spring clamp: Stainless steel

Electrical cULus

- Voltage rating: 300VAC
- Current rating: 8A
- Wire range:
- Solid wire(AWG): 16-20
- Stranded wire(AWG): 16-20
- Wire strip length: 7-8mm
- Withstanding Voltage: 1.6KV
- Operating temperature: -40°C to +115°C
- Soldering temperature: 260°C±5°C/5 Sec
- Safety Approval:

N=Number of poles
Dim L=N×5.0+2.0
Dim B=(N-1)×5.0

POLES	Tolerance
3p/5p	±0.15
7p/9p/11p	±0.20
13p/15p/17p	±0.25
19p/21p/23p	±0.30

PART NO.: H7 xx 00 x 3 00J0 G

- | | | |
|-----------------|-------------------|-----------------|
| End stackable 0 | Color | RoHS compliant |
| No. of poles 2 | Black (RAL9005) | (lead<4%) |
| 03 3 poles | Red (RAL3001/D) | In copper Alloy |
| 05 5 poles | Orange(RAL2011/P) | |
| ... | Yellow(RAL1018/A) | |
| 23 23 poles | Green(RAL6018/T) | |
| | Blue (RAL5015/A) | |
| | Grey(RAL7004/P) | |
| | White(RAL1102) | |
| | C Multiple colors | |

mat'l. code		surface ASME Y14.5	tolerance ASME Y14.5	projection 	product family TERMINAL BLOCK
ltr	ecn no	dr	date	tolerances unless otherwise specified	title TERMINAL BLOCK
				angles X±1°	scale MM
				finishes X.XX±0.1	scale MM
		dr	EVIN ZHONG	052614	dwg no
		enr	EVIN ZHONG	052614	sheet 2 of 2 size
		chr	HANKE FENG	052614	H7xx00x300J0G
		appd	SHI JUN	052614	A4
sheet	revision	A			type CUSTOMER Drawing
index	sheet	2			