

RIB TO IDENTIFY CKT. NO. 1

RECEPTACLE

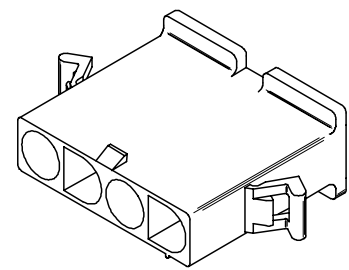
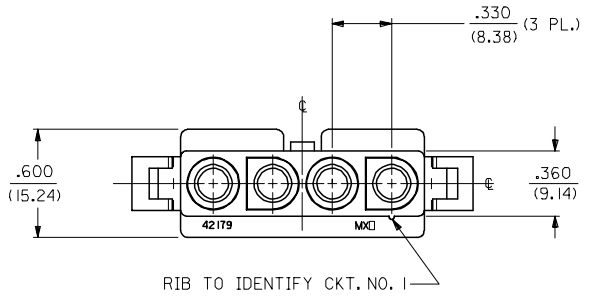
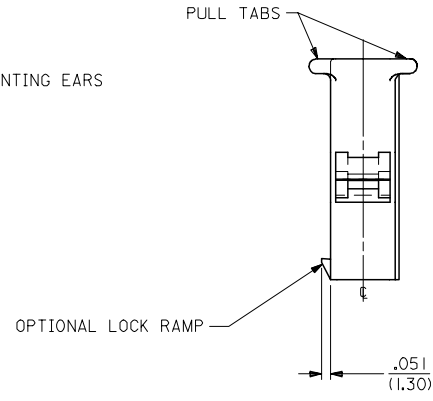
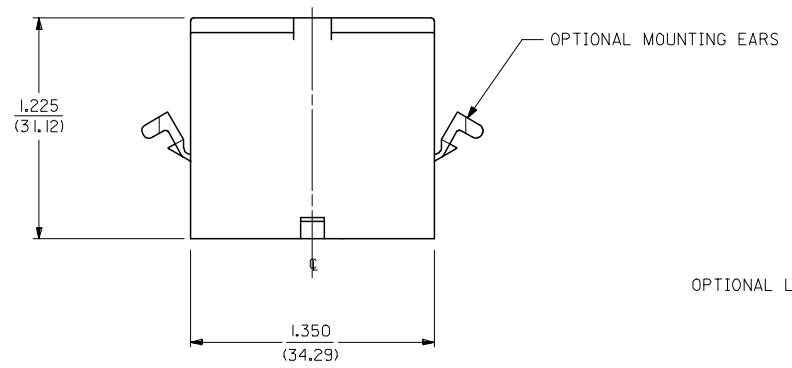
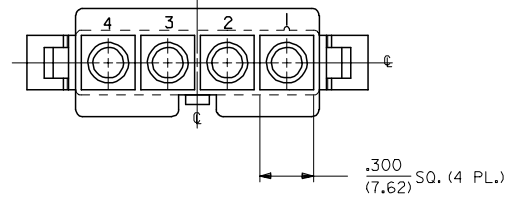
3	1
2	1
1	1
SHT.	REV.

<b>UPDATE REVISIONS</b> EC NO: UCP2007-2085 DRW:PRIDDER 2007/04/13 CHKD:ELHAG 2007/04/16 APPR:FSMITH 2007/04/19	QUALITY SYMBOLS ▽=0 ▽=0	GENERAL TOLERANCES (UNLESS SPECIFIED) <table border="1"> <tr><th></th><th>mm</th><th>INCH</th></tr> <tr><td>4 PLACES</td><td>± .---</td><td>± .---</td></tr> <tr><td>3 PLACES</td><td>± .---</td><td>± .007</td></tr> <tr><td>2 PLACES</td><td>± 0.18</td><td>± .010</td></tr> <tr><td>1 PLACE</td><td>± 0.25</td><td>± .---</td></tr> </table>		mm	INCH	4 PLACES	± .---	± .---	3 PLACES	± .---	± .007	2 PLACES	± 0.18	± .010	1 PLACE	± 0.25	± .---	DIMENSION STYLE <b>IN/MM</b>	SCALE <b>2:1</b>	DESIGN UNITS <b>INCH</b>	THIRD ANGLE PROJECTION
		mm	INCH																		
	4 PLACES	± .---	± .---																		
	3 PLACES	± .---	± .007																		
2 PLACES	± 0.18	± .010																			
1 PLACE	± 0.25	± .---																			
DRAWN BY GEP	DATE 1988/09/21	CHECKED BY RW	DATE 1988/09/21	TITLE <b>.125/(3.17) HOUSING, PLUG AND RECEPTACLE 4 CKT .330/(8.38) CTRS.</b>																	
APPROVED BY RAS	DATE 1988/09/21	MATERIAL NO. <b>SEE CHART</b>			DOCUMENT NO. <b>SD-42179-4*</b>	SHEET NO. <b>1 OF 3</b>															
DRAFT WHERE APPLICABLE MUST REMAIN WITHIN DIMENSIONS						THIS DRAWING CONTAINS INFORMATION THAT IS PROPRIETARY TO MOLEX INCORPORATED AND SHOULD NOT BE USED WITHOUT WRITTEN PERMISSION															

13 12 11 10 9 8 7 6 5 4 3 2 1

J  
I  
H  
G  
F  
E  
D  
C  
B  
A

J  
I  
H  
G  
F  
E  
D  
C  
B  
A



PLUG

UPDATE TITLE BLOCK FC NO: UCP2007-2085 DRAWN/PRD/DER 2007/04/13 CHKD: AEL/HAG 2007/04/16 APPR: FSM/TH 2007/04/19 REV DESCRIPTION	QUALITY SYMBOLS	GENERAL TOLERANCES (UNLESS SPECIFIED)		DIMENSION STYLE		SCALE	DESIGN UNITS	THIRD ANGLE PROJECTION	
	=0 =0	mm	INCH	IN/MM		2:1	INCH		
		4 PLACES ± .007	± .007	DRAWN BY	DATE	TITLE			
		3 PLACES ± .010	± .010	GEP	1988/09/21	.125/(3.17) HOUSINGS, PLUG AND RECEPTACLE, 4 CKT .330/(8.38) CTRS.			
	2 PLACES ± 0.18	± .010	CHECKED BY	DATE					
	1 PLACE ± 0.25	± .010	RW	1988/09/21	MOLEX INCORPORATED MATERIAL NO. DOCUMENT NO. SHEET NO.				
	ANGULAR ±1/2°		APPROVED BY	DATE					
			RAS	1988/09/21	SD-42179-4*				
			DRAFT WHERE APPLICABLE MUST REMAIN WITHIN DIMENSIONS		SEE CHART		2 OF 3		
			THIS DRAWING CONTAINS INFORMATION THAT IS PROPRIETARY TO MOLEX INCORPORATED AND SHOULD NOT BE USED WITHOUT WRITTEN PERMISSION						

12 11 10 9 8 7 6 5 4 3 2 1

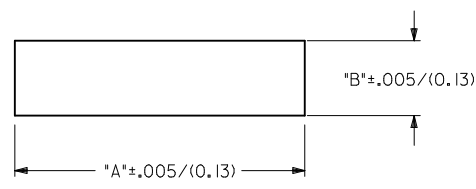
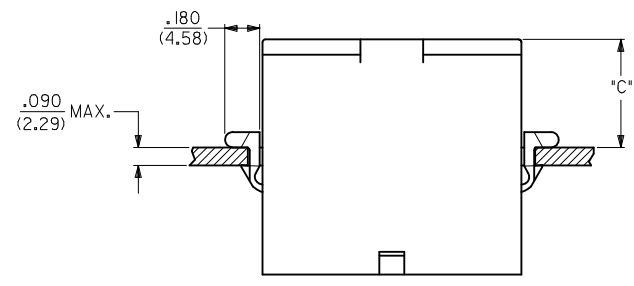
PLUG		RECEPTACLE	
PART NO.	ENG. NO.	PART NO.	ENG. NO.
03-12-2046	42179-4PI	03-12-1046	42179-4RI
03-12-2045	42179-4P	03-12-6040	42179-4RIBK
03-12-7042	42179-4PYW	03-12-6041	42179-4RIYW
03-12-7043	42179-4PIYW		
03-12-7040	42179-4PBK		
03-12-7041	42179-4PIBK		
03-12-7044	42179-4PIRD		
03-12-7045	42179-4P2		

OBSOLETE

LEGEND:  
42179-4\*\*\*

CIRCUIT SIZE: \_\_\_\_\_  
HOUSING TYPE: \_\_\_\_\_  
P = PLUG  
R = RECEPTACLE  
FEATURE OPTIONS: \_\_\_\_\_  
BLANK = WITH MOUNTING EARS (PLUG ONLY)  
1 = WITHOUT MOUNTING EARS  
2 = WITH MOUNTING EARS (PLUG ONLY);  
WITHOUT LOCKING RAMP

COLOR: \_\_\_\_\_  
BLANK = 94V-2; TRANSLUCENT NATURAL COLOR  
AM=AMBER BK=BLACK BU=BLUE  
BN=BROWN GY=GRAY GN=GREEN  
OR=ORANGE RD=RED YW=YELLOW



RECOMMENDED PANEL OPENING

HOUSING	DIM. "A"	DIM. "B"	DIM. "C"
PLUG	1.511/(38.38)	.440/(11.18)	.57/(14.5)

- NOTES:
1. MATERIAL: NYLON (PA), UL94V-2, COLOR-NATURAL (TRANSLUCENT)
  2. FINISH: NONE
  3. PRODUCT SPECIFICATION: NONE
  4. PACKAGING SPECIFICATION: PK-42179-001
  5. PART ACCEPTS A MAXIMUM .250/(6.35) INSULATION DIAMETER WIRE.
  6. FOR USE WITH ALL MOLEX .125/(3.17) DIAMETER SERIES TERMINALS EXCEPT THE 1219/1220 SERIES.
  7. PARTS CONFORM TO CLASS B REQUIREMENT OF COSMETIC SPECIFICATION PS-45499-002

<b>OBS. P/N 03-12-7044</b> EC NO: UCP2007-2085 DRAWN: PRIDDER 2007/04/13 CHKD: AELHAG 2007/04/16 APPR: FSMITH 2007/04/19	QUALITY SYMBOLS ▽=0 ▽=0	GENERAL TOLERANCES (UNLESS SPECIFIED)		DIMENSION STYLE <b>IN/MM</b>	SCALE <b>2:1</b>	DESIGN UNITS <b>INCH</b>	THIRD ANGLE PROJECTION	
		4 PLACES ± --- ± --- 3 PLACES ± --- ± .007 2 PLACES ± 0.18 ± .010 1 PLACE ± 0.25 ± ---	DRAWN BY GEP	DATE 1988/09/21	TITLE <b>.125/(3.17) HOUSING,          PLUG AND RECEPTACLE,          4 CKT .330/(8.38) CTRS.</b>			
		ANGULAR ± 1 °	CHECKED BY RW	DATE 1988/09/21	MOLEX INCORPORATED			
		DRAFT WHERE APPLICABLE MUST REMAIN WITHIN DIMENSIONS	APPROVED BY RAS	DATE 1988/09/21	MATERIAL NO. <b>SEE CHART</b>	DOCUMENT NO. <b>SD-42179-4*</b>	SHEET NO. <b>3 OF 3</b>	

THIS DRAWING CONTAINS INFORMATION THAT IS PROPRIETARY TO MOLEX INCORPORATED AND SHOULD NOT BE USED WITHOUT WRITTEN PERMISSION