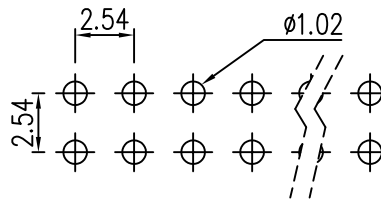
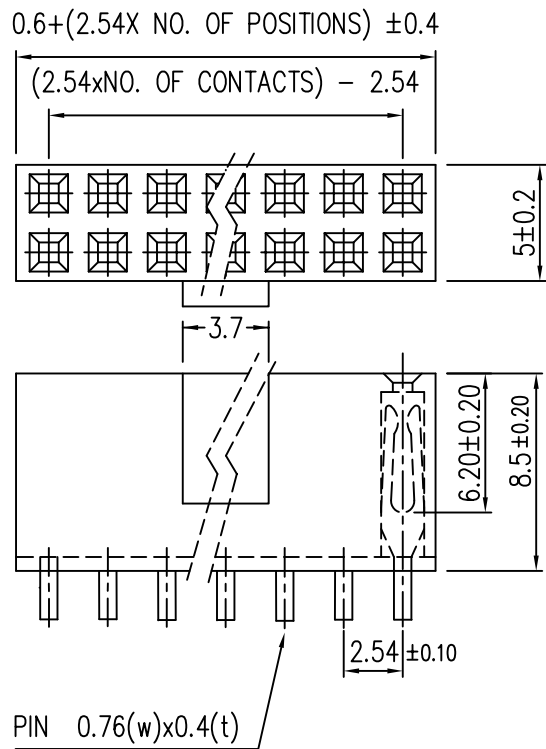
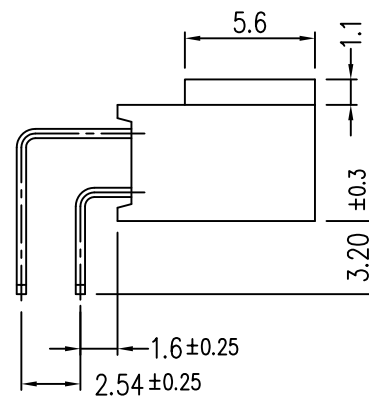


REV.	ECN NO.	DATE
A	RELEASED	09/02/03
B	UPDATE TOL	12/15/04
C	ADDED BL	2/17/05



PCB LAYOUT



SPECIFICATIONS

CURRENT RATING : 3 AMPS
 INSULATOR RESISTANCE : 5000 MEGOHMS MIN.
 CONTACT RESISTANCE : 20 MILLIOHMS MAX.
 DIELECTRIC WITHSTANDING : AC 500V
 OPERATING TEMPERATURE : -40°C - +125°C
 CONTACT MATERIAL : PHOSPHOR BRONZE
 INSULATOR MATERIAL : POLYESTER PBT, UL 94V-0
 *CONTACT PLATING: P=OVERALL GOLD FLASH; T=OVERALL TIN

ORDERING INFORMATION:

1. Replace "*" with plating code
2. Replace "xx" with number of positions (note that for this dual row connector, the number of positions is 1/2 the number of total contacts)

SCALE	NTS	DRAW	BC	Sullins Electronics San Marcos, CA Tel: 760 744-0125 www.SullinsElectronics.com	
UNIT	MM	CHECK		NAME: FEMALE HEADER, 2.54mm SPACING 8.5mm PROFILE, RIGHT ANGLE	
TOLERANCE		AP"E		PART NO	PP*Cxx2LJBN
.0=±0.35 .00=±0.2 ANG=±5°		PROJECTION		DRAW NO	7010