

SPECIFICATIONS

Mechanical

Mating Force: 8.50kg (18.74Lb) max.
Umating Force: 0.53kg (1.17Lb) min.
Durability: 500 Cycles

Electrical

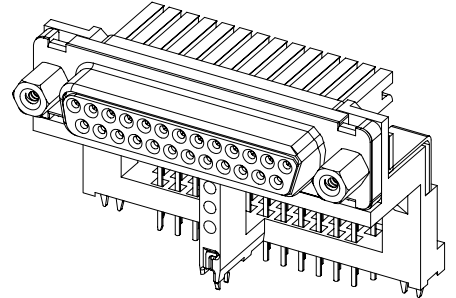
Current Rating: 2A
Contact Resistance: 35mΩ
Dielectric Withstanding Voltage: 1000V AC/1min min.
Insulation Resistance: 5000MΩ min.

Physical

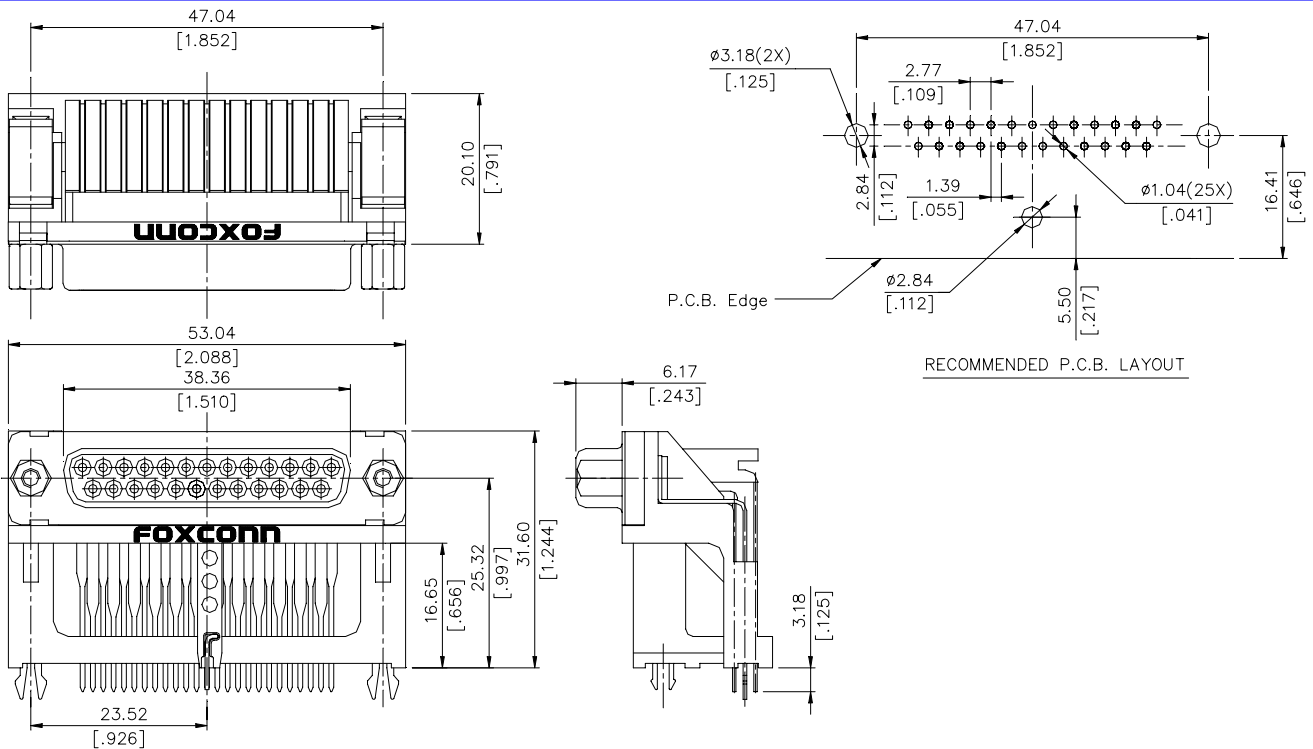
Housing: Thermoplastic, UL 94V-0 rated in Burgundy 235C Color
Contact: Copper alloy
Plating: See "ORDERING INFORMATION"
Operating Temperature: -55°C to +105°C

D-SUB Connector

DM Series
Right Angle Type, T/H
2.77mm [.109"] Pitch
25 Pos.



DRAWING



ORDERING INFORMATION

PRODUCT NO.: DM 1 1 3 5 * - W34 - 4F

