

745886-1 ✓ ACTIVE

AMPLIMITE | AMPLIMITE HD-20

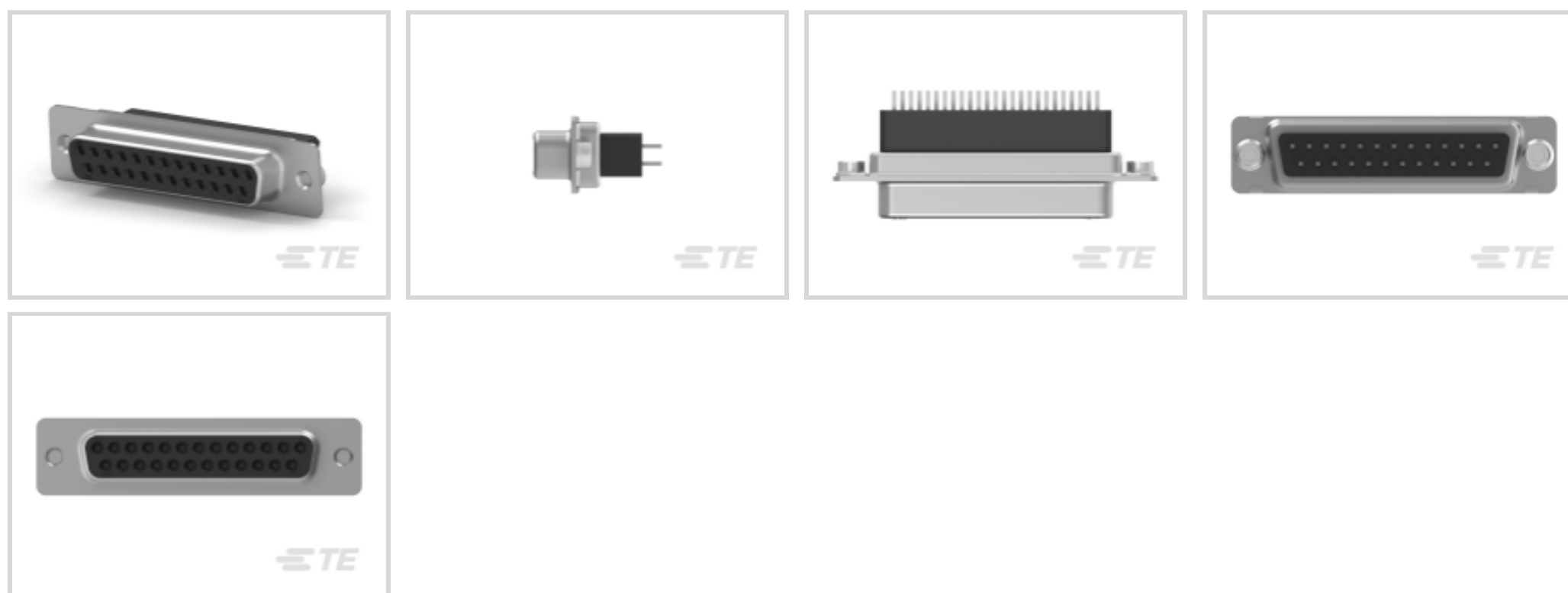
TE Internal #: 745886-1

PCB D-Sub Connectors, Receptacle, Board-to-Board, 25 Position,  
2.77 mm [.109 in] Centerline, 2 Row, 3 Connector Shell Size, Square,  
AMPLIMITE HD-20

[View on TE.com >](#)



Connectors > D-Shaped Connectors > D-Sub Connectors > PCB D-Sub Connectors > D-Sub Receptacle Assembly: Vertical, Shell Size 3, 2.77mm



Connector & Housing Type: **Receptacle**

Connector System: **Board-to-Board**

Number of Positions: **25**

Centerline (Pitch): **2.77 mm [.109 in]**

Number of Rows: **2**

[All D-Sub Receptacle Assembly: Vertical, Shell Size 3, 2.77mm \(64\)](#)

## Features

### Product Type Features

|                                   |                       |
|-----------------------------------|-----------------------|
| Shell Material Configuration      | Full Metal Shell      |
| Connector & Housing Type          | Receptacle            |
| Connector System                  | Board-to-Board        |
| Connector Shell Size              | 3                     |
| Connector & Contact Terminates To | Printed Circuit Board |

### Configuration Features

|                       |          |
|-----------------------|----------|
| Number of Positions   | 25       |
| Number of Rows        | 2        |
| PCB Mount Orientation | Vertical |

### Body Features

|                        |               |
|------------------------|---------------|
| Insert Material        | Thermoplastic |
| Shell Plating Material | Tin           |



|                       |       |
|-----------------------|-------|
| Primary Product Color | Black |
|-----------------------|-------|

|                   |      |
|-------------------|------|
| Connector Profile | High |
|-------------------|------|

### Contact Features

|  |        |
|--|--------|
|  | 30 μin |
|--|--------|

|                                      |  |
|--------------------------------------|--|
| Contact Mating Area Plating Material | Gold, Gold Flash over Palladium Nickel |
|--------------------------------------|--|

|                               |                          |
|-------------------------------|--------------------------|
| Contact Underplating Material | Nickel, Palladium Nickel |
|-------------------------------|--------------------------|

|   |          |
|---|----------|
| PCB Contact Termination Area Plating Material | Tin-Lead |
|---|----------|

|                       |                 |
|-----------------------|-----------------|
| Contact Base Material | Phosphor Bronze |
|-----------------------|-----------------|

|                      |        |
|----------------------|--------|
| Contact Shape & Form | Square |
|----------------------|--------|

|                              |     |
|------------------------------|-----|
| Contact Current Rating (Max) | 6 A |
|------------------------------|-----|

### Termination Features

|  |                  |
|--|------------------|
| Square Termination Post & Tail Dimension | .63 mm [.025 in] |
|--|------------------|

|                                |                   |
|--------------------------------|-------------------|
| Termination Post & Tail Length | 3.18 mm [.125 in] |
|--------------------------------|-------------------|

|   |                       |
|---|-----------------------|
| Termination Method to Printed Circuit Board | Through Hole - Solder |
|---|-----------------------|

### Mechanical Attachment

|                        |                  |
|------------------------|------------------|
| Mounting Hole Diameter | 3.05 mm [.12 in] |
|------------------------|------------------|

|                     |      |
|---------------------|------|
| PCB Mount Retention | With |
|---------------------|------|

|                          |               |
|--------------------------|---------------|
| PCB Mount Retention Type | Mounting Hole |
|--------------------------|---------------|

|                  |      |
|------------------|------|
| Mating Retention | With |
|------------------|------|

|                       |                      |
|-----------------------|----------------------|
| Mating Retention Type | Clinch Nut, 4-40 UNC |
|-----------------------|----------------------|

|                         |             |
|-------------------------|-------------|
| Connector Mounting Type | Board Mount |
|-------------------------|-------------|

### Housing Features

|                |              |
|----------------|--------------|
| Shell Material | Carbon Steel |
|----------------|--------------|

|                  |                  |
|------------------|------------------|
| Housing Material | Nylon GF, PBT GF |
|------------------|------------------|

|                    |                   |
|--------------------|-------------------|
| Centerline (Pitch) | 2.77 mm [.109 in] |
|--------------------|-------------------|

### Dimensions

|                             |                                 |
|-----------------------------|---------------------------------|
| PCB Thickness (Recommended) | 1.57 – 2.36 mm [.062 – .093 in] |
|-----------------------------|---------------------------------|

|                    |                   |
|--------------------|-------------------|
| Row-to-Row Spacing | 2.84 mm [.112 in] |
|--------------------|-------------------|

### Usage Conditions

|                             |                             |
|-----------------------------|-----------------------------|
| Operating Temperature Range | -55 – 105 °C [-67 – 221 °F] |
|-----------------------------|-----------------------------|

### Operation/Application

|                     |        |
|---------------------|--------|
| Circuit Application | Signal |
|---------------------|--------|



### Industry Standards

|                        |           |
|------------------------|-----------|
| Approved Standards     | UL E28476 |
| UL Flammability Rating | UL 94V-0  |

### Packaging Features

|                    |      |
|--------------------|------|
| Packaging Quantity | 10   |
| Packaging Method   | Tube |

### Other

|                             |  |
|-----------------------------|--|
| D-Shaped Connectors Comment | All receptacles are preloaded with size 20 DF posted socket contacts |
|-----------------------------|--|

### Product Compliance

[For compliance documentation, visit the product page on TE.com>](#)

|   |   |
|---|---|
| EU RoHS Directive 2011/65/EU                  | Not Compliant   |
| EU ELV Directive 2000/53/EC                   | Compliant with Exemptions   |
| China RoHS 2 Directive MIIT Order No 32, 2016 | Restricted Materials Above Threshold  |
| EU REACH Regulation (EC) No. 1907/2006        | Current ECHA Candidate List: JUNE 2023 (235)<br>Candidate List Declared Against: JUNE 2023 (235)<br>SVHC > Threshold:<br>Pb (13% in Component Part)<br><b>Article Safe Usage Statements:</b><br>Do not eat, drink or smoke when using this product. Wash thoroughly after handling. Recycle if possible and dispose of the article by following all applicable governmental regulations relevant to your geographic location. |
| Halogen Content                               | Not Low Halogen - contains Br or Cl > 900 ppm.  |
| Solder Process Capability                     | Not lead free process capable   |

#### Product Compliance Disclaimer

This information is provided based on reasonable inquiry of our suppliers and represents our current actual knowledge based on the information they provided. This information is subject to change. The part numbers that TE has identified as EU RoHS compliant have a maximum concentration of 0.1% by weight in homogenous materials for lead, hexavalent chromium, mercury, PBB, PBDE, DBP, BBP, DEHP, DIBP, and 0.01% for cadmium, or qualify for an exemption to these limits as defined in the Annexes of Directive 2011/65/EU (RoHS2). Finished electrical and electronic equipment products will be CE marked as required by Directive 2011/65/EU. Components may not be CE marked. Additionally, the part numbers that TE has identified as EU ELV compliant have a maximum concentration of 0.1% by weight in homogenous materials for lead, hexavalent chromium, and mercury, and 0.01% for cadmium, or qualify for an exemption to these limits as defined in the Annexes of Directive 2000/53/EC (ELV). Regarding the REACH Regulation, the information TE provides on SVHC in articles for this part number is based on the latest European Chemicals Agency (ECHA) 'Guidance on requirements for substances in articles' posted at this URL: <https://echa.europa.eu/guidance-documents/guidance-on-reach>

### Compatible Parts



## Also in the Series | AMPLIMITE HD-20



## Customers Also Bought



## Documents

[Product Drawings](#)  
[25 RCPT SP/MS CNUT](#)

English

[CAD Files](#)  
[3D PDF](#)

3D



**Customer View Model**

[ENG\\_CVM\\_CVM\\_745886-1\\_Z.2d\\_dxf.zip](#)

English

**Customer View Model**

[ENG\\_CVM\\_CVM\\_745886-1\\_Z.3d\\_igs.zip](#)

English

**Customer View Model**

[ENG\\_CVM\\_CVM\\_745886-1\\_Z.3d\\_stp.zip](#)

English

By downloading the CAD file I accept and agree to the [Terms and Conditions](#) of use.

**Product Specifications**

[Application Specification](#)

English