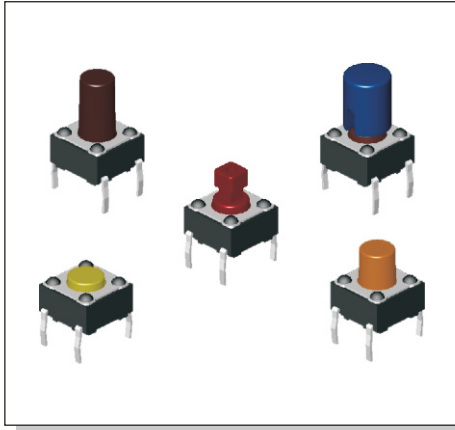
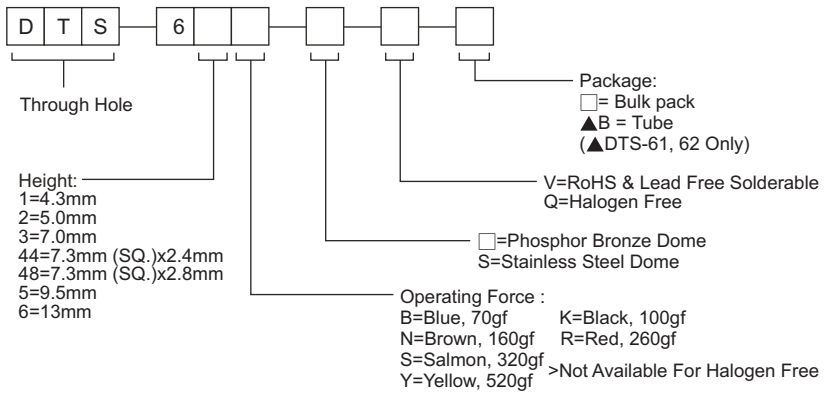


DTS-6 SERIES

6x6 Through Hole Type



HOW TO ORDER



SPECIFICATION

MECHANICAL

Operation Force: 520 ± 130gf Yellow(Y)
 320 ± 80gf Salmon(S)
 260 ± 50gf Red(R)
 160 ± 50gf Brown(N)
 100 ± 50gf Black(K)

Stroke : 0.25+0.2/-0.1mm

ENVIRONMENTAL

Operation Temperature Range : -25°C to +70°C
 Storage Temperature Range : -30°C to +80°C

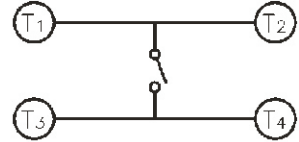
ELECTRICAL

Electrical Life:
 *Phosphor Bronze Dome
 50,000 cycles for 320gf, 520gf
 100,000 cycles for 260gf
 200,000 cycles for 70gf, 100gf, 160gf
 *Stainless Steel Dome
 300,000 cycles for 320gf, 520gf
 500,000 cycles for 260gf
 1,000,000 cycles for 70gf, 100gf, 160gf
 Rating: 50mA, 12VDC

PACKAGE

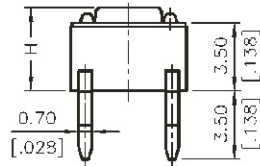
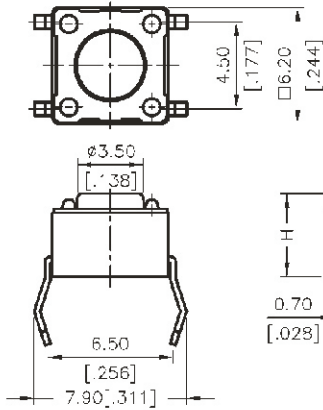
DTS-6: 1000 pcs/bag
 DTS-61/62: 77 pcs/tube

CIRCUIT

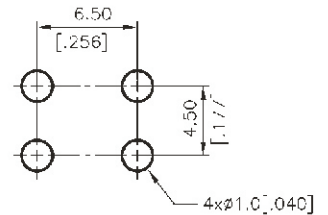


TACT SWITCH

DTS-61~66

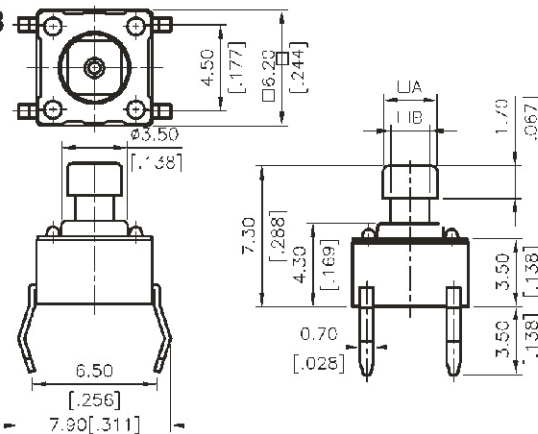


DTS-66	13.00	[.512]
DTS-65	9.50	[.374]
DTS-63	7.00	[.275]
DTS-62	5.00	[.197]
DTS-61	4.30	[.169]
PROD. NO.	H	

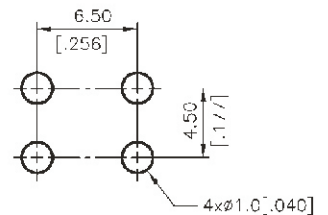


P.C.B. LAYOUT

DTS-644,648



DTS-644	□A	2.40	0.095
	IIB	1.60	0.063
DTS-648	□A	2.80	0.110
	□B	2.00	0.079
PROD. NO.	LOC.	MM	INCH.



P.C.B. LAYOUT