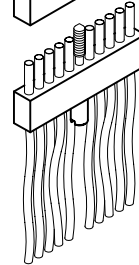
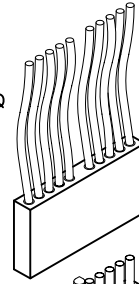


MA-131-010-161-A69WQ



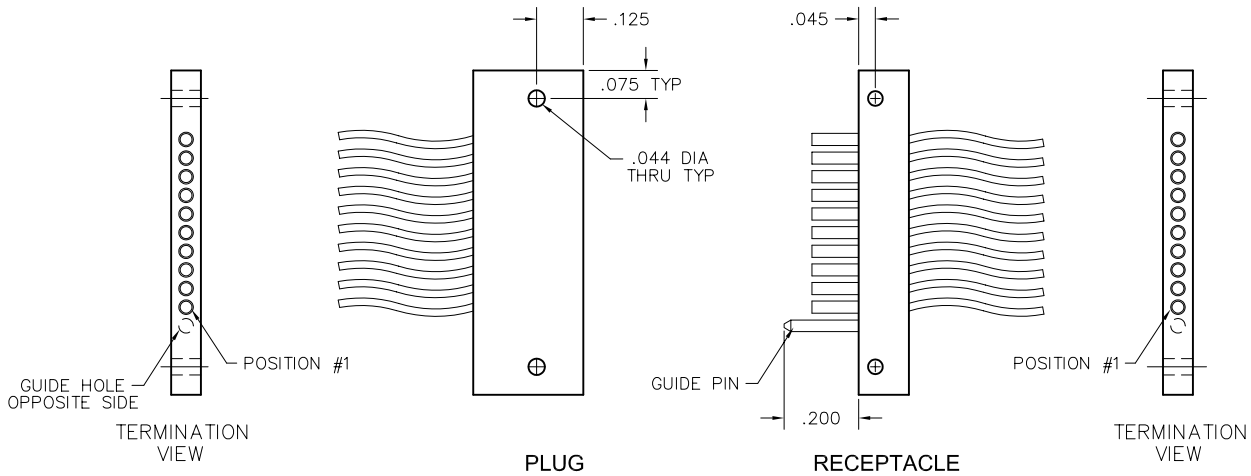
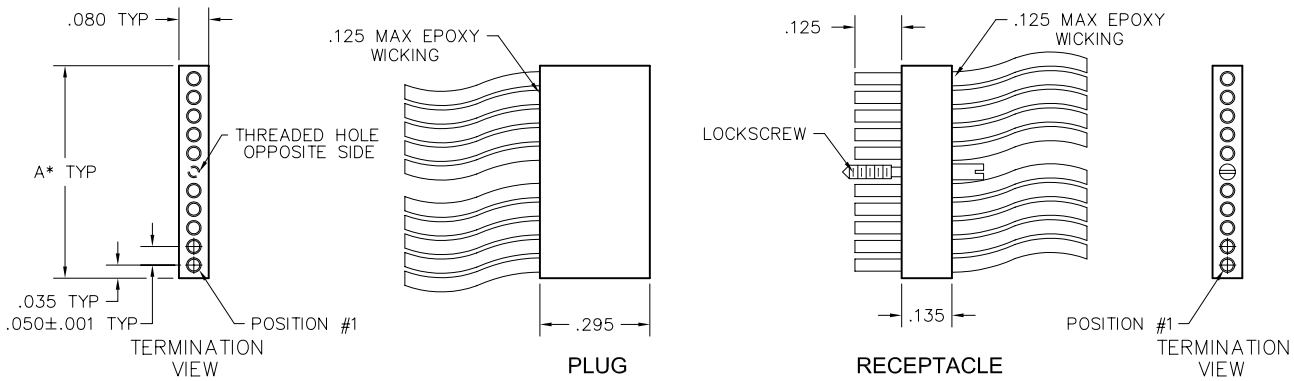
MA-141-010-261-A72WQ

1 • ROW Strip Connectors Cable to Cable

.050"

MA-1

2 thru 60 Contacts



OPTIONAL MOUNTING HOLES & GUIDE PIN

DIMENSIONS	
To determine connector length (Dim "A"):	
Multiply the number of cavities in one row by .050" " "
Add fixed end lengths (constant, .010" x 2) 0.02"
Add .150" for each mounting hole " "
Total Length: " "
Notes:	
Length over 2" may require support to insure alignment.	
When using one lock screw, use centermost available hole.	
* = Maximum length is 3.020". Maximum number of contacts must be reduced to accommodate hardware and mounting holes.	

PLUG: MA-131-010-161-A69WQ
RECEPTACLE: MA-141-010-261-A72WQ
 XX-XXX-XXX-XXX-XXXXX

PLUG

RECEPTACLE

SERIES

MA .050" Microminiature Strip Connector | MA .050" Microminiature Strip Connector

BODY

1	1-Row	1	1-Row
BODY STYLE: (Material: Polyphenylene sulfide)		BODY STYLE: (Material: Polyphenylene sulfide)	
11	Plug, straight, with mounting holes	21	Receptacle, straight, with mounting holes
31	Plug, straight, without mounting holes	41	Receptacle, straight, without mounting holes

SIZE

XXX 002 - 060 | XXX 002 - 060
 Note: Maximum number of contacts is reduced when using hardware or mounting holes. See dimension chart on M-11.

CONTACTS

TYPE CONTACTS/TERMINATIONS:		TYPE CONTACTS/TERMINATIONS:	
11	Pin, straight, solder cup	21	Socket, straight, solder cup
14	Pin, straight, .500" pigtails (.018 dia)	24	Socket, straight, .500" pigtails (.018 dia)
15	Pin, straight, 1.000" pigtails (.018 dia)	25	Socket, straight, 1.000" pigtails (.018 dia)
16	Pin, straight, crimped wire	26	Socket, straight, crimped wire

PLATING OPTIONS:		PLATING OPTIONS:	
1	50 μ" Au contacts (crimp wire)	1	50 μ" Au contacts (crimp wire)
3	50 μ" Au contacts; 10 μ" Au terminations (solder cup, pigtail)	3	50 μ" Au contacts; 10 μ" Au terminations (solder cup, pigtail)
5	50 μ" Au contacts; Sn/Pb alloy terminations (pigtail) <input checked="" type="checkbox"/>	5	50 μ" Au contacts; Sn/Pb alloy terminations (pigtail) <input checked="" type="checkbox"/>
7	50 μ" Au contacts; SAC305 terminations (pigtail)	7	50 μ" Au contacts; SAC305 terminations (pigtail)

HARDWARE

STYLE OF HARDWARE:		STYLE OF HARDWARE:	
A00	None	A00	None
A01-A49	Latch box, side mounted (cavity number location)	A01-A49	Latch spring, side mounted (cavity number location)
A50	Latch boxes (two end cavities)	A51	Latch springs (two end cavities)
A64	One guide hole (centered)*	A61	One guide pin (centered)*
A65	One guide hole (first cavity)	A62	One guide pin (first cavity)
A66	One guide hole (last cavity)	A63	One guide pin (last cavity)
A68	Two guide holes (two end cavities)	A67	Two guide pins (two end cavities)
A69	One threaded hole (centered)*	A72	One lockscrew (centered)*, uninstalled
AHX	One guide hole (cavity #2 - #9)	APX	One guide pin (cavity #2 - #9)
ATX	One threaded hole (cavity #2 - #9)	ALX	One lockscrew (cavity #2 - #9), uninstalled

POLARIZATION / WIRING:		POLARIZATION / WIRING	
00	None	00	None
XX	For wiring codes, see pages MA-3 & MA-4	XX	For wiring codes, see pages MA-3 & MA-4

* = To determine location, divide the total number of cavities by two and round to the next whole number, if result is a fraction. See page M-15. See MA strip guidelines, page M-15, for location examples & visual clarification.

= Option not RoHS compliant



Wire Codes

NEMA HP3-EXBEB (Formerly M16878/4-24 TFE 7 strand)

	6"	12"	18"	24"	30"	36"	42"	48"	54"	60"	66"	72"	84"	96"	108"	120"
MIL-STD-681*	WA	WB	WC	UD	UE	WD	UG	UH	UJ	UK	UL	UM	UN	UP	UQ	UR
WHITE	WE	WF	WG	VD	VE	WH	VG	VH	VJ	VK	VL	VM	VN	VP	VQ	VR
YELLOW	WJ	WK	WL			WM										

NEMA HP3-EXBDB (Formerly M16878/4-26 TFE 7 strand)

	6"	12"	18"	24"	30"	36"	42"	48"	54"	60"	66"	72"	84"	96"	108"	120"
MIL-STD-681*	WN	WP	WQ	YD	YE	WR	YG	YH	YJ	YK	YL	YM	YN	YP	YQ	YR
WHITE	WS	WT	WU	ZD	ZE	WV	ZG	ZH	ZJ	ZK	ZL	ZM	ZN	ZP	ZQ	ZR
YELLOW	WW	WX	WY			WZ										

NEMA HP3-EXBCB (Formerly M16878/4-28 TFE 7 strand)

	6"	12"	18"	24"	30"	36"	42"	48"	54"	60"	66"	72"	84"	96"	108"	120"
MIL-STD-681*	XA	XB	XC	1D	1E	XD	1G	1H	1J	1K	1L	1M	1N	1P	1Q	1R
WHITE	XE	XF	XG	2D	2E	XH	2G	2H	2J	2K	2L	2M	2N	2P	2Q	2R
YELLOW	XJ	XK	XL			XM										

TWISTED PAIR per NEMA WC27500-XXRC2U00 (SAE AS22759/11)

	6"	12"	18"	24"	30"	36"	42"	48"	54"	60"	66"	72"	84"	96"	108"	120"
24 AWG	AA	AB	AC	AD	AE	AF	AG	AH	AJ	AK	AL	AM	AN	AP	AQ	AR
26 AWG	BA	BB	BC	BD	BE	BF	BG	BH	BJ	BK	BL	BM	BN	BP	BQ	BR

TWISTED PAIR per NEMA WC27500-XXSC2U00 (SAE AS22759/33)*** ☒

	6"	12"	18"	24"	30"	36"	42"	48"	54"	60"	66"	72"	84"	96"	108"	120"
24 AWG	JA	JB	JC	JD	JE	JF	JG	JH	JJ	JK	JL	JM	JN	JP	JQ	JR
26 AWG	KA	KB	KC	KD	KE	KF	KG	KH	KJ	KK	KL	KM	KN	KP	KQ	KR

For twisted pair wire connect charts, see page MA-9
 Twisted pair wire not available on MA, MC or Hybrid connectors

* = Connectors with more than 100 contacts will repeat color code after 100 colors.

*** = Per M83513, corrosion has been experienced on connectors that are pre-wired with 22759/33 and stored in sealed environments.
 Caution should be exercised when using this wire.

☒ = Option not RoHS compliant