

Customer Information Sheet

DRAWING No.: M80-942XXXX

SHEET 2 OF 2

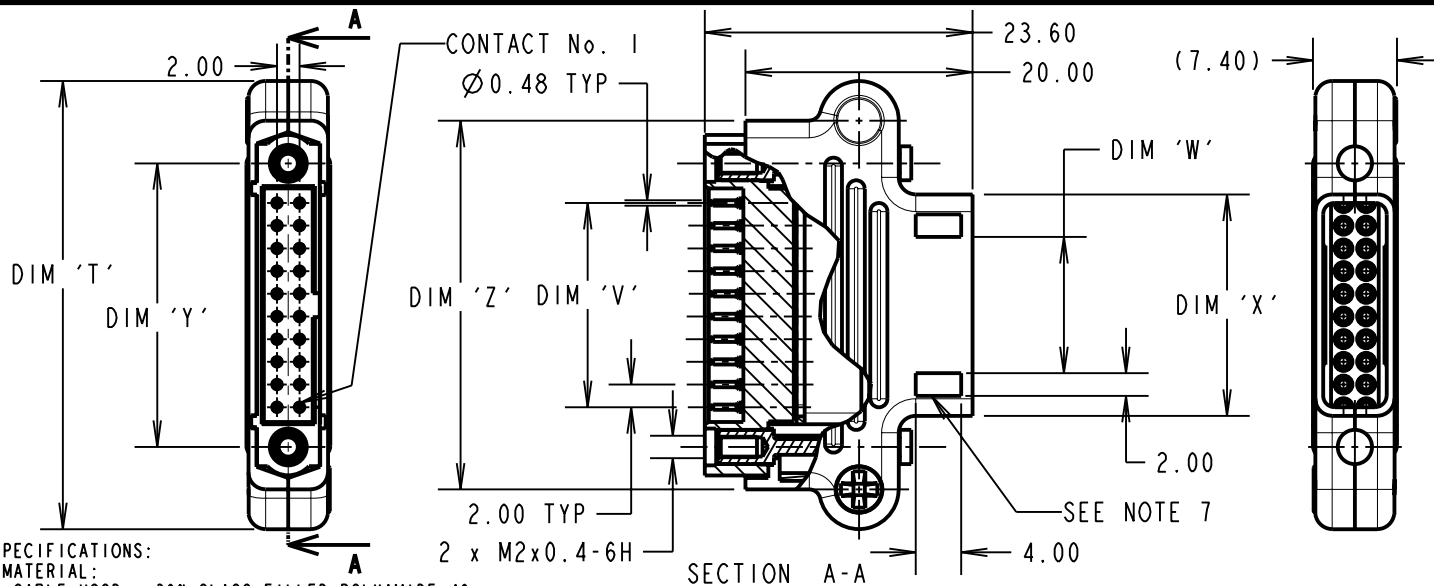
IF IN DOUBT - ASK

(C)

NOT TO SCALE

THIRD ANGLE PROJECTION

ALL DIMENSIONS IN mm



ORDER CODE:

M80-942XXXX

TOTAL No. OF CONTACTS

06, 08, 10, 12, 14
20, 26, 34, 42, 50

FINISH

05 - GOLD
46 - 100% TIN

NOTES:

- CONNECTORS ARE SUPPLIED WITH CONTACTS, CABLE HOOD SET, AND CABLE HOOD FIXING SCREWS LOOSE.
- FOR EXTRA CONTACTS, USE PART NUMBER M80-1950005 FOR M80-942XX05 AND M80-1950006 FOR M80-942XX46.
- RECOMMENDED WIRE TYPE = BS 3G 210 TYPE A, PTFE INSULATED 24-28 AWG, MAX INSULATION DIAMETER = $\varnothing 1.10\text{mm}$, STRIP WIRE BY 2.00mm.
- RECOMMENDED HAND CRIMP TOOL = M22520/2-01 WITH POSITIONER Z80-193.
- CONTACT INSERTION AND EXTRACTION TOOL = Z80-280.
- INSTRUCTION SHEETS ARE AVAILABLE.
- NO CABLE TIE SLOTS ON M80-94206XX AND M80-94208XX.

SPECIFICATIONS:

MATERIAL:
CABLE HOOD = 30% GLASS-FILLED POLYAMIDE 46
DATAMATE MOULDING = 30% GLASS-FILLED PPS,
UL94V-0, BLACK

CONTACT = BRASS
JACKSCREW = STAINLESS STEEL
CABLE HOOD FIXING SCREW = MILD STEEL

FINISH:
CONTACT:
05 = 0.25-0.3 μ GOLD
46 = 3.5-5.0 μ 100% TIN
CABLE HOOD FIXING SCREW = CHEMI-BLACK

ELECTRICAL:
CURRENT RATING AT 25°C = 3.0A MAX
CURRENT RATING AT 85°C = 2.2A MAX
WORKING VOLTAGE = 120V AC/DC
VOLTAGE PROOF = 360V AC/DC
CONTACT RESISTANCE = 25 m Ω MAX
INSULATION RESISTANCE = 100 M Ω MIN

MECHANICAL:
DURABILITY = 500 OPERATIONS
ENVIRONMENTAL:
TEMPERATURE RANGE = -55°C TO +125°C

PACKING:
LOOSE
FOR COMPLETE SPECIFICATION, SEE COMPONENT SPECIFICATION C005XX (LATEST ISSUE)

PART NUMBER	No. OF CONTACTS	PART DIMENSIONS					
		DIM 'T'	DIM 'V'	DIM 'W'	DIM 'X'	DIM 'Y'	DIM 'Z'
M80-94206XX	6	25.50	4.00	N/A	5.50	11.00	18.50
M80-94208XX	8	27.50	6.00	N/A	7.50	13.00	20.50
M80-94210XX	10	29.50	8.00	2.00	9.50	15.00	22.50
M80-94212XX	12	31.50	10.00	4.00	11.50	17.00	24.50
M80-94214XX	14	33.50	12.00	6.00	13.50	19.00	26.50
M80-94220XX	20	39.50	18.00	12.00	19.50	25.00	32.50
M80-94226XX	26	45.50	24.00	18.00	22.50	31.00	38.50
M80-94234XX	34	53.50	32.00	26.00	33.50	39.00	46.50
M80-94242XX	42	61.50	40.00	34.00	41.50	47.00	54.50
M80-94250XX	50	69.50	48.00	42.00	49.50	55.00	62.50

RA	4	16.12.09	10609
NAME	ISS.	DATE	C/NOTE
APPROVED:		R. ADDE	
CHECKED:		M.G. PLESTED	
DRAWN:		N. CODLING	
CUSTOMER REF.:			
ASSEMBLY DRG:			

HARWIN

THIS DRAWING AND ANY INFORMATION OR DESCRIPTIVE MATTER SET OUT HEREON ARE CONFIDENTIAL AND COPYRIGHT PROPERTY OF THE HARWIN GROUP AND MUST NOT BE DISCLOSED, LOANED, COPIED OR USED FOR MANUFACTURING, TENDERING OR FOR ANY OTHER PURPOSE WITHOUT THEIR WRITTEN PERMISSION.

TOLERANCES

X. = $\pm 1\text{mm}$
X.X = $\pm 0.25\text{mm}$
X.XX = $\pm 0.10\text{mm}$
X.XXX = $\pm 0.01\text{mm}$

ANGLES = $\pm 5^\circ$

UNLESS STATED

MATERIAL:

SEE ABOVE

FINISH: SEE ABOVE

S/AREA:

mm²

TITLE:

JACKSCREW DATAMATE DIL CRIMP (SMALL BORE) MALE ASSY WITH CABLE HOOD KIT

DRAWING NUMBER:

M80-942XXXX

SHT

2 OF 2

HARWIN USA
TEL: 603 893 5376
FAX: 603 893 5396
mis@harwin.com

HARWIN Europe (UK)
TEL: 023 9231 4545
FAX: 023 9231 4590
mis@harwin.co.uk

HARWIN Asia
TEL: +65 6 779 4909
FAX: +65 6 779 3868
mis@harwin.com.sg