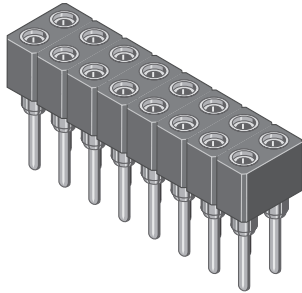


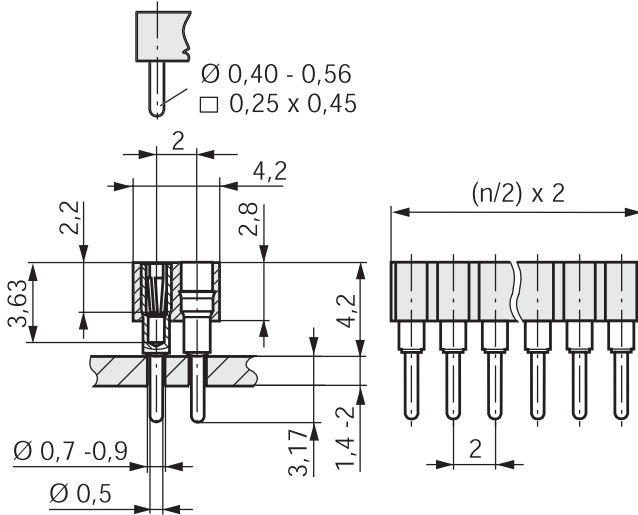
FEMALE HEADER „PRECISION“ 2,00 mm
ID: 166 BL 22-XXX

Series 511



TECHNICAL DATA

| | |
|-------------------------------|---|
| Pitch | 2,00 mm |
| Insulating Material | high temp. thermoplast UL94V-0 |
| Contact Material | Brass/BeCu |
| Rated Current | 3 Amp. |
| Rated Voltage | 100 V _{RMS} /150 V _{DC} |
| Withstanding Voltage | min. 500 V _{RMS} |
| Operating Temperature | -40°C to +105°C |
| Maximum Soldering Temperature | 260°C for 10 seconds |



All dimensions in mm.
 Other dimensions upon request.

BL 22 - XXX X U

- 22: 2 rows, pitch 2,0mm
- Pins: 4 - 100 poles possible
- Plating: Blank = sleeve: Sn / clip: Au
 8 = sleeve: Sn / clip: 0,75µm Au
- U: RoHS-compliant with high temp. plastic