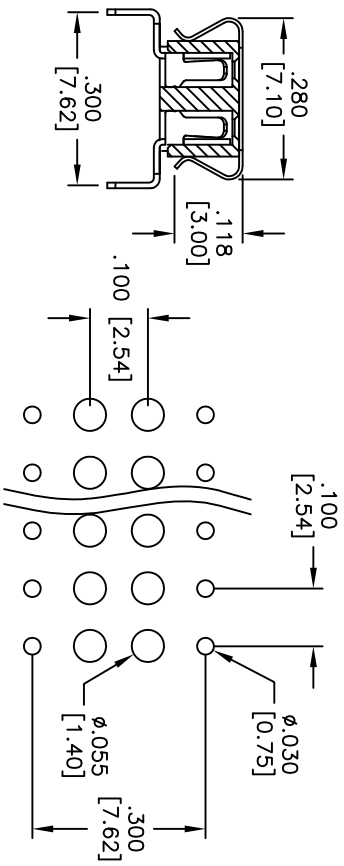
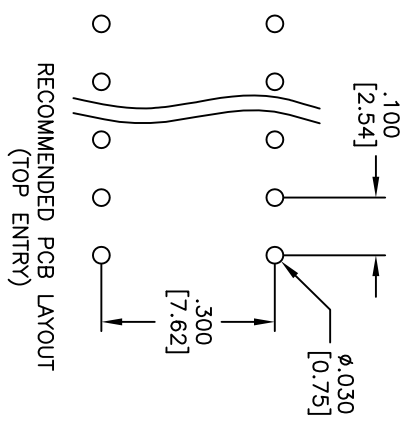
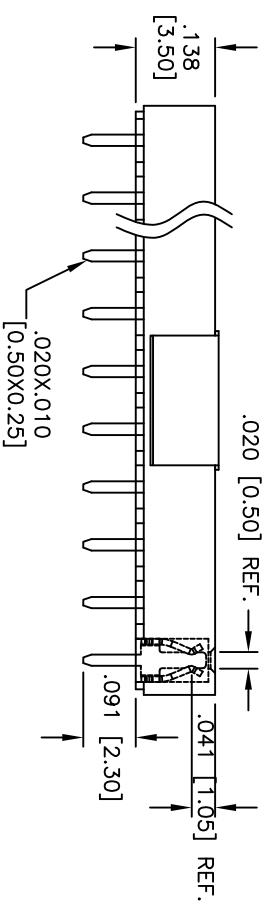
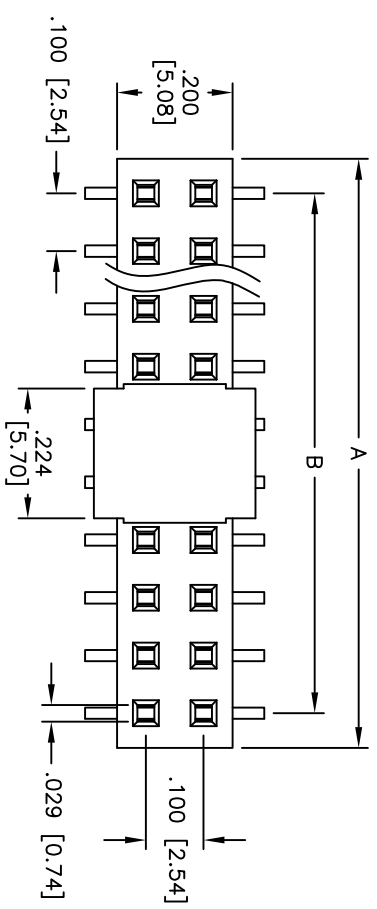


Rev	AWO #	Description	Date	Appr
-		RELEASED	3/26/09	

APPROVED: _____ TITLE: _____
 DATE: _____



RECOMMENDED PCB LAYOUT
 (BOTTOM ENTRY)

Positions: 02 thru 40 per row
 A = .100 [2.54] X No. of Positions per row + .020 [0.50]
 B = .100 [2.54] X No. of Spaces per row

SPECIFICATIONS:
 Material: Nylon 6T, rated UL 94V-0
 Insulator color: Black
 Contacts: Phosphor Bronze
 Plating:
 Gold flash over Nickel underplate overall
 Electrical:
 Operating voltage: 250 VAC max
 Current rating: 3 Amps max
 Contact resistance: 20 mohms max
 Insulation resistance: 1000 Mohms min @ 500 VDC
 Dielectric withstanding voltage: 600 VAC for 1 minute
 Temperature Rating:
 Operating temperature: -40°C to +105°C
 Environmental:
 Lead free, RoHS compliant.
 Recommended soldering temp: 260°C for 5 sec.



UNLESS OTHERWISE SPECIFIED ALL DIMENSIONS ARE INCHES [MM] TOLERANCES: EXCEPT AS NOTED INCHES		TITLE	
.X ± .10	Ø.X ± .10	.100 X .100 DUAL ROW RECEPTACLE STRIP LOW PROFILE, GOLD PLATED	
.XX ± .020	Ø.XX ± .015	SIZE	PART NO.
.XXX ± .015	Ø.XXX ± .010	X	RS2BE-C-XX-G-1P-HT-PP
APPROVALS	DATE	REF:	SCALE: NTS
DRAWN	DY	3/26/09	
CHECKED			
APPROVED			
REV.		SHEET 1 OF 1	

ADAM TECH
 909 Rahway Avenue, Union, NJ 07083
 Phone: 908-687-5000 Fax: 908-687-5710

6 5 4 3 2 1