

10112690 - X XX-YY Z LF

INDICATES THAT PRODUCT IS RoHS COMPATIBLE SEE NOTE 3

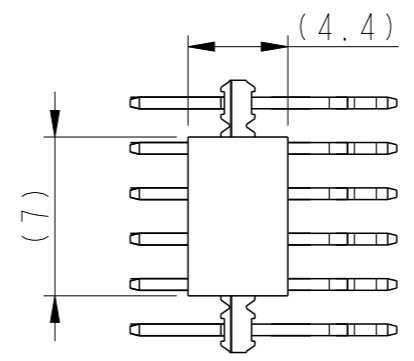
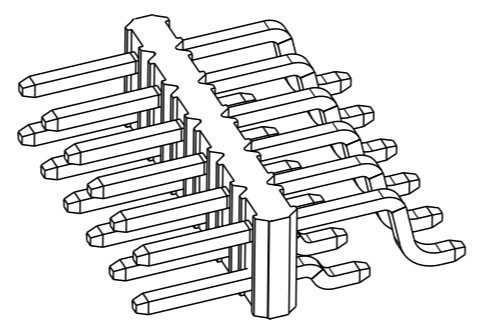
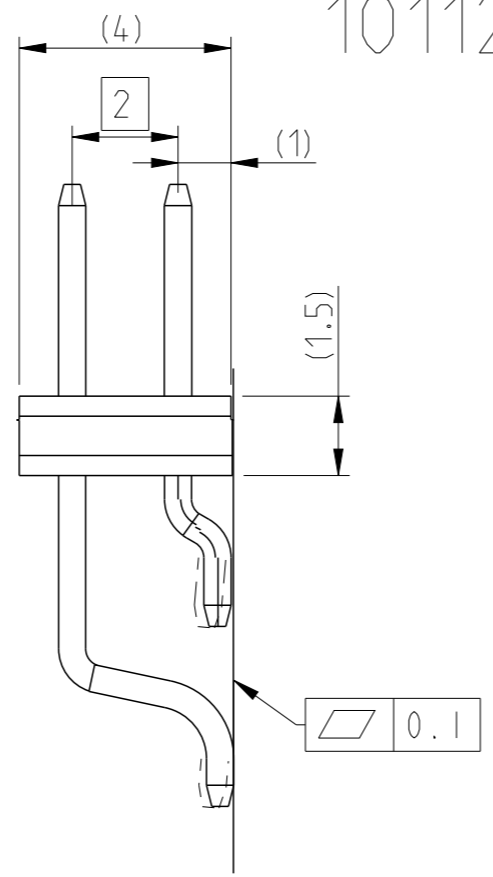
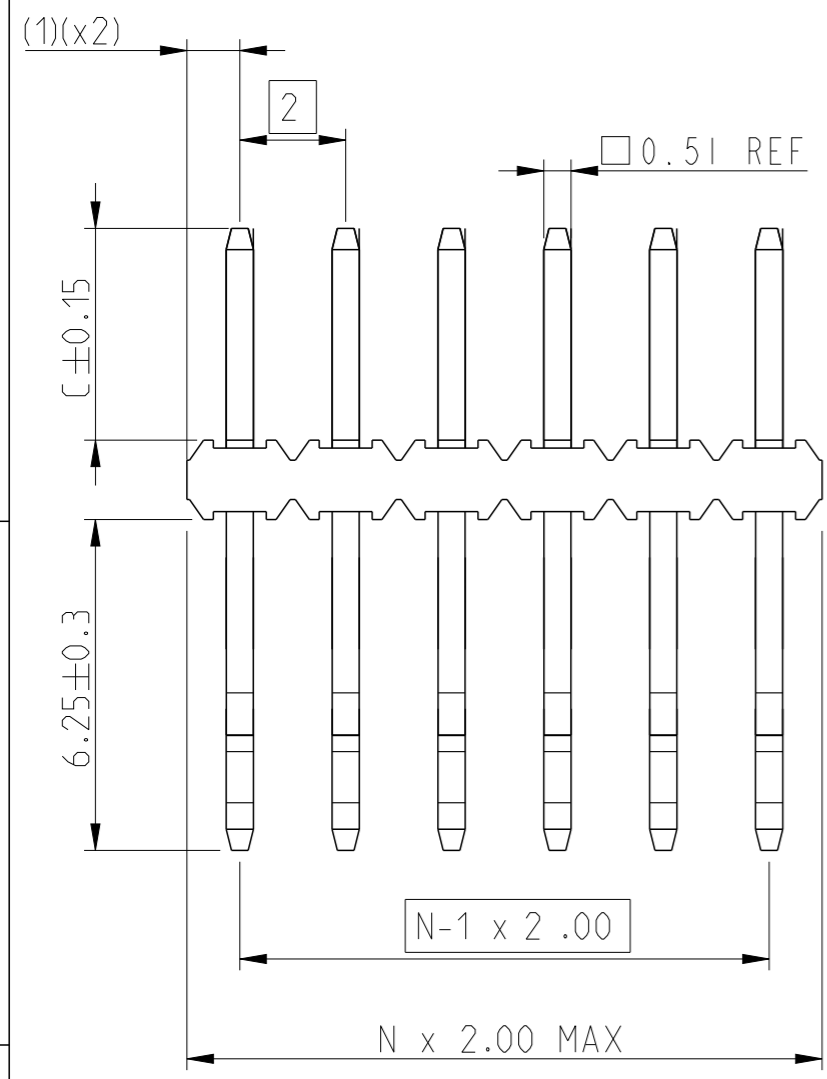
PACKAGING :
 A = Tape and reel with Pick-up cap
 See GS-14-1516 As available
 U = Tube without Pick-up cap.
 See GS-14-1551

NBR CONTACTS PER ROW : 02 TO 25 = N

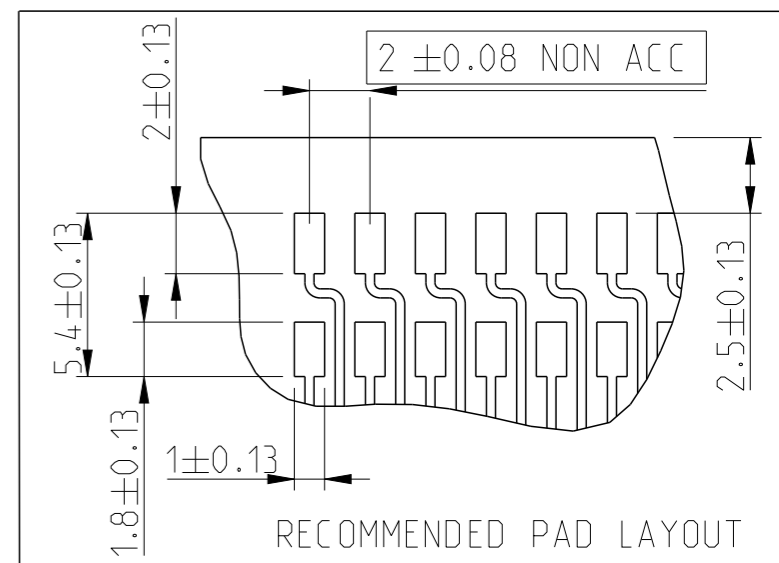
V = CUSTOMER SPECIAL
 - = ALL GLOBAL CUSTOMERS

STYLE	01	02	03	04	05
DIM C	3.2	2.0	4.0	7.0	5.84
POST LENGTH	3.2	2.0	4.0	7.0	5.84

PLATING : G= 0.76µ Gold/GXT on mating area
 2-6µ Pure Tin on solder area
 F= Gold flash on mating area
 2-6µ pure Tin on solder area
 T= 2-6µ pure Tin on mating area
 2-6µ pure Tin on solder area
 All with 1.27 Ni underplating



SCALE 3:1
 VIEW WITH PICK-UP CAP



- NOTES :
- MATERIALS :
 BODY : High Temp thermoplastic 30% GF, COLOR BLACK UL94 V-0
 PIN : COPPER ALLOY
 - 7N MIN PIN RETENTION IN EITHER DIRECTION
 - RoHS COMPATIBLE PRODUCT SPECIFICATION :
 a- PLATING : LF means the product is Lead Free,
 2µ MIN matte Tin over 1.27µ Nickel underplating.
 b- MANUFACTURING PRODUCT SPECIFICATION :
 Housing will withstand exposure to 260°C peak temperature for 30 secondes in a convection infra-red or vapor phase oven.
 c- LABELLING :
 Meets packaging specs as per GS-14-920
 d- LEGAL STATMENT : See GS-47-0004
 - MINIMUM QUANTITY IN BLI BOX : 500

spec ref	GS-12-652	dr	Alexandre Parr	2014/02/28	projection	mm	size	A3	scale	4:1		
tolerance std	ISO 406 ISO 1101	eng	Perrin, Emilie	2021/06/21			ecn no	ELX-F-41288-1	rel level	Released		
TOLERANCES UNLESS OTHERWISE SPECIFIED		chr	-	apppr							Wollin, Severi	2021/06/21
surface	linear	0.X	±0.30	Amphenol FCI	www.fci.com	cat. no.	-	Product - Customer Drw	sheet 1 of 1			
	angular	0°	±/°									

Amphenol FCI

© 2020 Amphenol Corporation