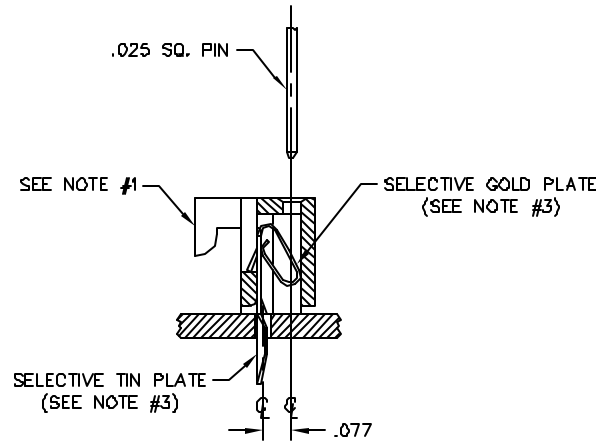
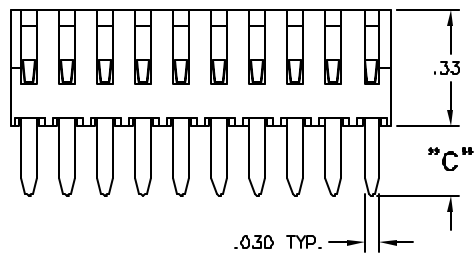


RECOMMENDED P.C. BOARD LAYOUT

TABLE II

PART No.	DIM."C"
100X-XXX-2X02	.180 ^{+0.020} _{-.010}
100X-XXX-2X01	.120 ^{+0.020} _{-.010}



SECTION C-C

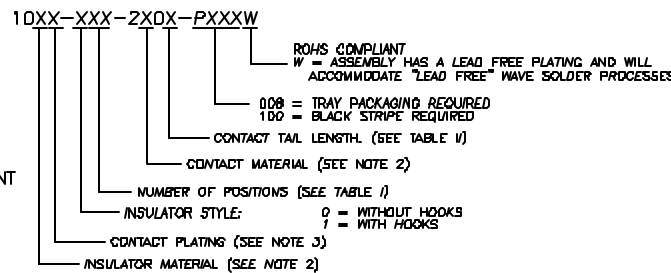
TABLE I

PART No.	No. OF POS.	DIM "A"	DIM "B"
100X-X02-2X0X	2	.100±.010	.200±.015
X03	3	.200	.300
X04	4	.300	.400
X05	5	.400	.500
X06	6	.500	.600
X07	7	.600	.700
X08	8	.700	.800
X09	9	.800	.900
X10	10	.900	1.000
X11	11	1.000	1.100
X12	12	1.100	1.200
X13	13	1.200	1.300
X14	14	1.300	1.400
X15	15	1.400	1.500
X16	16	1.500	1.600
X17	17	1.600	1.700
X18	18	1.700	1.800
X19	19	1.800	1.900
X20	20	1.900	2.000
X21	21	2.000	2.100
X22	22	2.100	2.200
X23	23	2.200	2.300
X24	24	2.300	2.400
X25	25	2.400	2.500
X26	26	2.500	2.600
X27	27	2.600	2.700
100X-X28-2X0X	28	2.700±.010	2.800±.015

NOTES:

- PART CAN BE SUPPLIED WITH HOOKS: P/N 100X-1XX-2X0XW AND/OR WITHOUT HOOKS: P/N 100X-0XX-2X0XW.
- INSULATOR MATERIAL: NYLON 6/6, U.L. 94V-0;
CONTACT MATERIAL: 100X-XXX-200XW: PHOSPHOR BRONZE, ALLOY 510;
100X-XXX-210XW: BRASS, ALLOY 280.
- CONTACT FINISH: 100Q-XXX-2X0X: BRITE TIN PLATE (.0001/.0002) OVER COPPER UNDERPLATE (.0001 MIN.);
100Q-XXX-2X0XW: .000100/.000200 MATTE TIN OVER .000030/.000060 NICKEL. ROHS COMPLIANT
100Q-XXX-2X0X: GOLD PLATE (.000015) OVER NICKEL UNDERPLATE (.000050);
100B-XXX-2X0X: SELECT GOLD PLATE (.000020 MIN.) AND SELECT TIN PLATE (.0002) WITH NICKEL UNDERPLATE (.000050) OVERALL;
100B-XXX-2X0XW: SELECT GOLD PLATE (.000020 MIN.) AND SELECT MATTE TIN PLATE (.0001/.0002) WITH NICKEL UNDERPLATE (.000050/.000150) OVERALL;
ROHS COMPLIANT
100E-XXX-2X0X: 90/10 TIN/LEAD (.000150 MIN.) OVER NICKEL UNDERPLATE (.000050/.000150);
100E-XXX-2X0X: SELECT GOLD PLATE (.000030 MIN.) AND SELECT TIN PLATE (.0002) WITH NICKEL UNDERPLATE (.000050) OVERALL.
100F-XXX-2X0XW: .000030 SELECTIVE GOLD IN CONTACT AREA .000050/.000150 NICKEL ALL OVER .0001/.0002 SELECTIVE MATTE TIN ON SOLDER TAIL ROHS COMPLIANT

PART NUMBER LEGEND



ITEM	QTY.	PART NO.	DESCRIPTION	DRG. SIZE
SEE NOTE #2			METHODE ELECTRONICS, INC. INTERCONNECT PRODUCTS DIV.	
SEE NOTE #3			TITLE .100 CENTER DIP SOLDER VERTICAL MOUNT CONNECTOR	
			SIZE C	
			CODE REQ. 83334	
			PART NUMBER C100X-XXX-2X01 2X02	
			SCALE 4X	
			REV. A	
			SHEET 1 OF 1	

THE INFORMATION CONTAINED IN THIS DOCUMENT IS PROPERTY OF METHODE ELECTRONICS, INC. AND MAY NOT BE USED FOR MANUFACTURE OF ANY OTHER PRODUCTS WITHOUT THE WRITTEN CONSENT OF METHODE ELECTRONICS. METHODE ELECTRONICS IS NOT RESPONSIBLE FOR ANY CHANGES SUBJECT TO CHANGE WITHOUT NOTICE AS THEY MAY OCCUR WITH RESPECT TO PRODUCT IMPROVEMENTS.			
METRIC <input type="checkbox"/> INCHES <input checked="" type="checkbox"/>	DESIGNED BY O. CABRERA	DATE 3/9/00	
TOLERANCE UNLESS OTHERWISE SPECIFIED 1/32 INCH X6 & 1/16 INCH	CHECKED BY T. SCHEITZ	DATE 3/9/00	
FINISH	DRAWN BY O. CABRERA	DATE 3/9/00	
	APPROVED BY T. SCHEITZ	DATE 3/9/00	