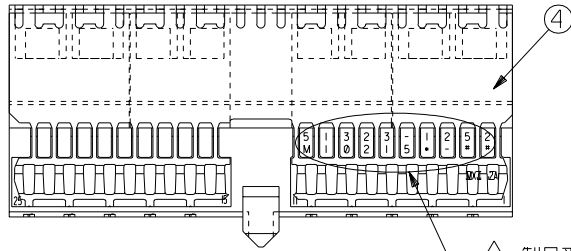
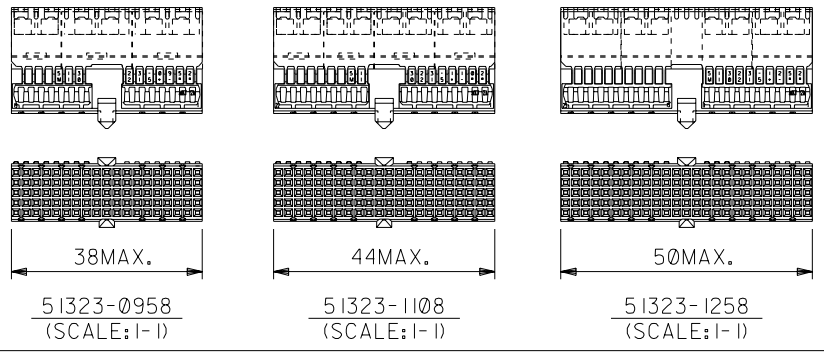
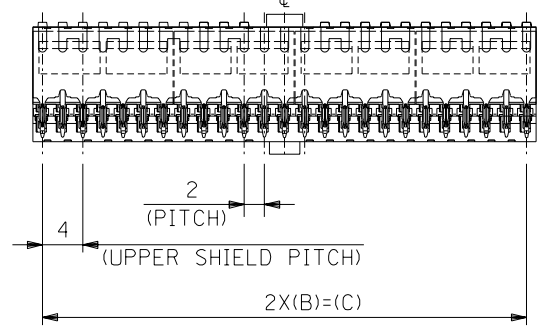
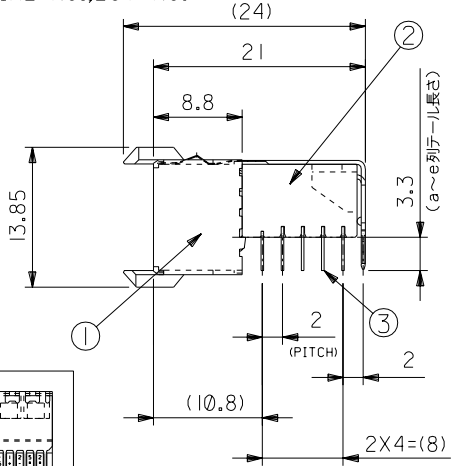
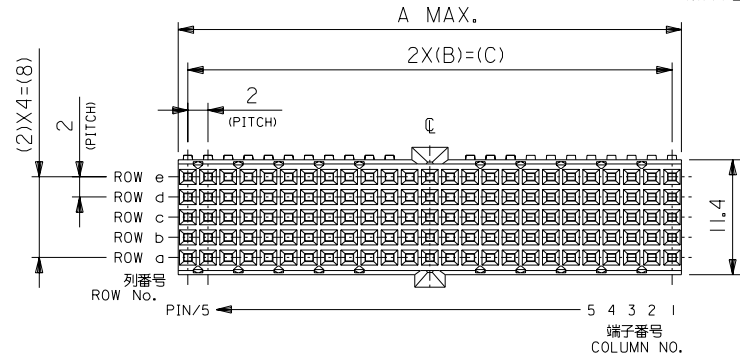


DWG. NO. SD-51323-006



④ 製品番号・ロット番号
MATERIAL NO., LOT NO.

番号 NO.	部品 PART NAME	材質 MATERIAL	仕上げ FINISH
①	リセプタクル ハウジング RECEPTACLE HOUSING	液晶ポリマー, ガラス充填, 自然色 (白), UL94V-0 LIQUID CRYSTAL POLYMER GLASS FILLED, NATURAL (WHITE), UL94V-0	—
②	リセプタクルカバー RECEPTACLE COVER	液晶ポリマー, ガラス充填, 自然色 (白), UL94V-0 LIQUID CRYSTAL POLYMER GLASS FILLED, NATURAL (WHITE), UL94V-0	—
③	リセプタクル ターミナル RECEPTACLE TERMINAL	リン青銅 PHOSPHOR BRONZE	△1
④	リセプタクル アッパー シールド RECEPTACLE UPPER SHIELD	リン青銅 PHOSPHOR BRONZE	△2

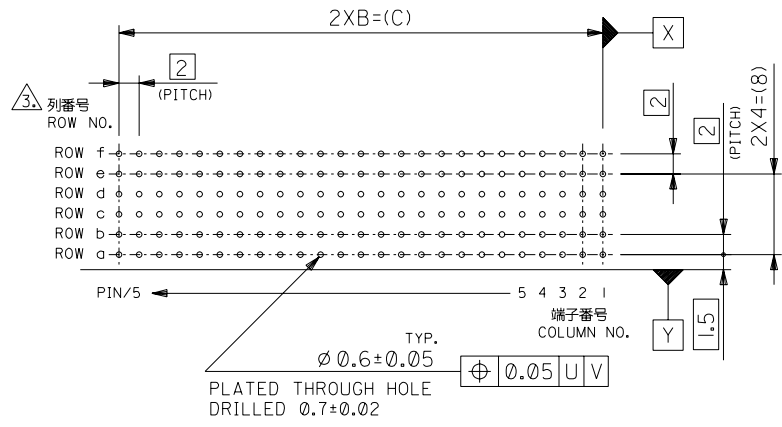


38	18	36	51323-0952	51323-0958	95
44	21	42	51323-1102	51323-1108	110
50	24	48	51323-1252	51323-1258	125
A	B	C	STICK PACKAGING	MATERIAL NO.	極数 PIN

DO NOT SCALE DRAWING

②6 NO. DRWN: CH'K: APPR:	②3 NO. DRWN: CH'K: APPR:	②2 NO. DRWN: CH'K: APPR:	②1 NO. DRWN: CH'K: APPR:	②0 NO. J2003-3129 DRWN: S.HOSHIKAWA 03/10/07 CH'K: A.NODA 03/10/07 APPR: A.NODA 03/10/07	MATERIAL 材料 SEE TABLE
RELEASED					
FINISH 仕上げ SEE TABLE					
WIRE RANGE 適用電線範囲 —					
INS. RANGE 被覆外径 —					

GENERAL TOLERANCES: (UNLESS SPECIFIED) 一般公差	SCALE 2-1	DESIGN UNITS <input checked="" type="checkbox"/> mm <input type="checkbox"/> INCH	DIMENSIONS: <input type="checkbox"/> mm <input type="checkbox"/> INCH <input checked="" type="checkbox"/> mm ONLY	SHT 2	REV 1
10 UNDER 未満	±0.2	DRAWN BY & DATE Y.TETSUKA 01/12/21	TITLE: "MZP" B/B CONN. RECEPTACLE R/A ASS'Y TYPE AB WITH UPPER SHIELD		
10 OVER 30 UNDER 以上 未満	±0.25	CHECKED BY & DATE A.Noda 01/12/21	MOLEX INCORPORATED		
30 OVER 以上	±0.3	APPROVED BY & DATE A.Noda 01/12/21	CAD FILENAME SD-51323-006.S01	MATERIAL NO. SEE TABLE	DRAWING NO. SD-51323-006
ANGLE 角度	±3°	MOLEX INCORPORATED			SHEET NO. 1 OF 2
①885 DRAWING CONTAINS INFORMATION THAT IS PROPRIETARY TO MOLEX INCORPORATED AND SHOULD NOT BE USED WITHOUT WRITTEN PERMISSION.					SIZE B



注記
NOTES

- 1. ターミナルめっき仕様
TERMINAL PLATING
金めっき: $0.8 \mu\text{m}$ MIN. (接点部)
GOLD: $0.8 \mu\text{m}$ MIN. (CONTACT AREA)
半田めっき: $0.5 \mu\text{m}$ MIN. (プレスフィット部)
TIN-LEAD: $0.5 \mu\text{m}$ MIN. (PRESS-FIT AREA)
ニッケルめっき: $1.3 \mu\text{m}$ MIN. (下地めっき)
NICKEL: $1.3 \mu\text{m}$ MIN. (UNDER PLATING)
- 2. シールドめっき仕様
SHIELD PLATING
金めっき (接点部)
GOLD (CONTACT AREA)
半田めっき (プレスフィット部)
TIN-LEAD (PRESS-FIT AREA)
ニッケルめっき (下地めっき)
NICKEL (UNDER PLATING)
- 3. f 列の奇数端子はアッパーシールドフレーム用基板穴。
f 列の偶数端子はローアッパーシールドフレーム用基板穴。
ODD NO. THROUGH HOLE OF ROW f FOR UPPER SHIELD.
EVEN NO. THROUGH HOLE OF ROW f FOR LOWER SHIELD.
- 4. 製品番号及びロットナンバー
MATERIAL NO. & LOT NO.
- 5. コネクタはスティック梱包とする。
SD-51323-008 を参照のこと。
CONNECTOR IS STICK PACKAGING.
REFER TO SD-51323-008.

164 NO. DRAWN: CH'K: APPR: 163 NO. DRAWN: CH'K: APPR: 162 NO. DRAWN: CH'K: APPR: 161 NO. DRAWN: CH'K: APPR: 160 NO. DRAWN: CH'K: APPR:	SEE SHEET ONE	MATERIAL 材料	SEE SHEET ONE	GENERAL TOLERANCES: (UNLESS SPECIFIED) 一般公差	SCALE 2-1	DESIGN UNITS <input checked="" type="checkbox"/> mm <input type="checkbox"/> INCH	DIMENSIONS: <input type="checkbox"/> mm <input type="checkbox"/> INCH <input checked="" type="checkbox"/> mm ONLY	SHT	REV
		FINISH 仕上げ	SEE SHEET ONE	10 UNDER 未満	± 0.2	DRAWN BY & DATE Y. TETSUKA 01/12/21	TITLE: "MZP" B/B CONN. RECEPTACLE R/A ASS'Y TYPE AB WITH UPPER SHIELD MOLEX INCORPORATED	2	2
		WIRE RANGE 適用電線範囲	#	10 OVER 30 UNDER 未満	± 0.25	CHECKED BY & DATE A. Noda 01/12/21			
		INS. RANGE 被覆外径	#	30 OVER 以上	± 0.3	APPROVED BY & DATE A. Noda 01/12/21			
REV	A	DESCRIPTION		ANGLE 角度	$\pm 3^\circ$	CAD FILENAME SD-51323-006.S02	MATERIAL NO. SEE TABLE	DRAWING NO. SD-51323-006	SHEET NO. 2

DWG. NO. SD-51323-008

F

D

V

C

B

DO NOT SCALE DRAWING

8 7 6 5 4 3 2 1

F

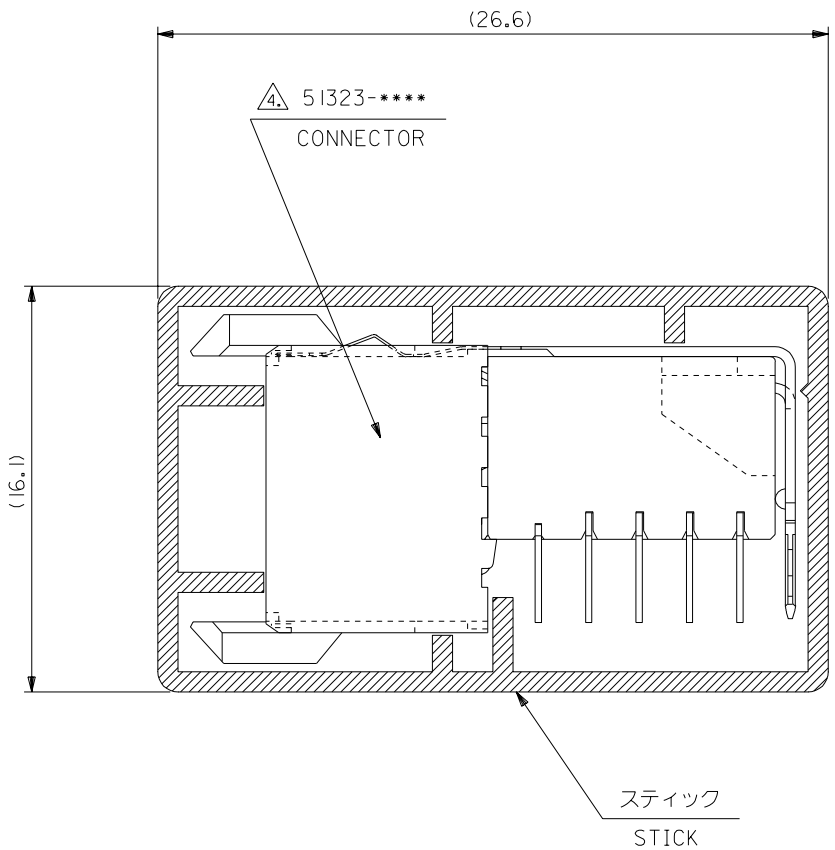
E

D

C

B

SD-51323-008.SHA



注記
NOTES

1. スティック両端はテープ止め。
BOTH ENDS WITH TAPES.
2. 全長：560±2mm
TOTAL LENGTH : 560±2mm
3. 肉厚：0.8±0.2mm
THICKNESS : 0.8±0.2mm
4. 表参照
SEE TABLE

14	51323-0958	51323-0952	95
12	51323-1108	51323-1102	110
11	51323-1258	51323-1252	125
梱包数 QUANTITY	CONNECTOR	MATERIAL NO.	極数 PIN

64 NO. DRAWN: CHK'G: APPR:	63 NO. DRAWN: CHK'G: APPR:	62 NO. DRAWN: CHK'G: APPR:	61 NO. DRAWN: CHK'G: APPR:	RELEASED 60 NO. J2003-3129 DRWNS. HOSHIKAWA 03/07/07 CHK'G: A. NODA 03/07/07 APPR: A. NODA 03/07/07	MATERIAL 材料 スティック：ポリ塩化ビニル STICK: PVC	GENERAL TOLERANCES: (UNLESS SPECIFIED) 一般公差	SCALE 5-1	DESIGN UNITS <input checked="" type="checkbox"/> mm <input type="checkbox"/> INCH	<input checked="" type="checkbox"/> 1ST ANGLE PROJECTION	DIMENSIONS: <input type="checkbox"/> mm <input type="checkbox"/> INCH <input checked="" type="checkbox"/> mm ONLY	SHT 95	REV 1
					FINISH 仕上げ	WIRE RANGE 適用電線範囲	ANGLE 角度	DRAWN BY & DATE Y.TETSUKA '01/12/21	TITLE: "MZP" B/B CONN. RECEPTACLE R/A ASS'Y TYPE AB STICK PACKAGING		CAD FILENAME SD-51323-008.S01	MATERIAL NO. SEE TABLE
INS. RANGE 被覆外径					MOLEX INCORPORATED		THIS DRAWING CONTAINS INFORMATION THAT IS PROPRIETARY TO MOLEX INCORPORATED AND SHOULD NOT BE USED WITHOUT WRITTEN PERMISSION.		SIZE B		EN-02J(097) MXJ-54	

8 7 6 5 4 3 2 1