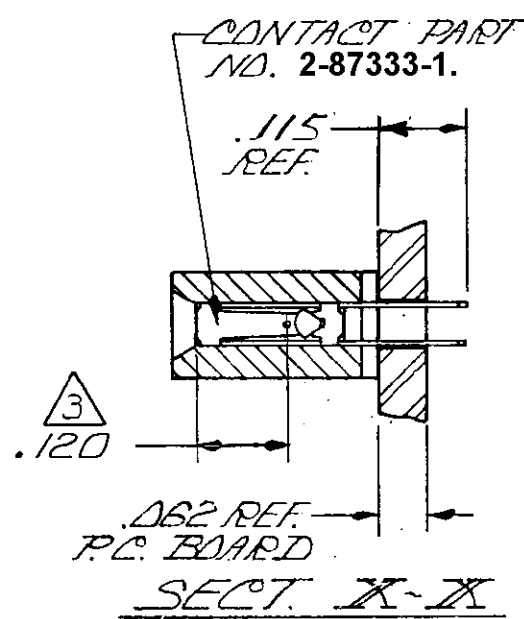
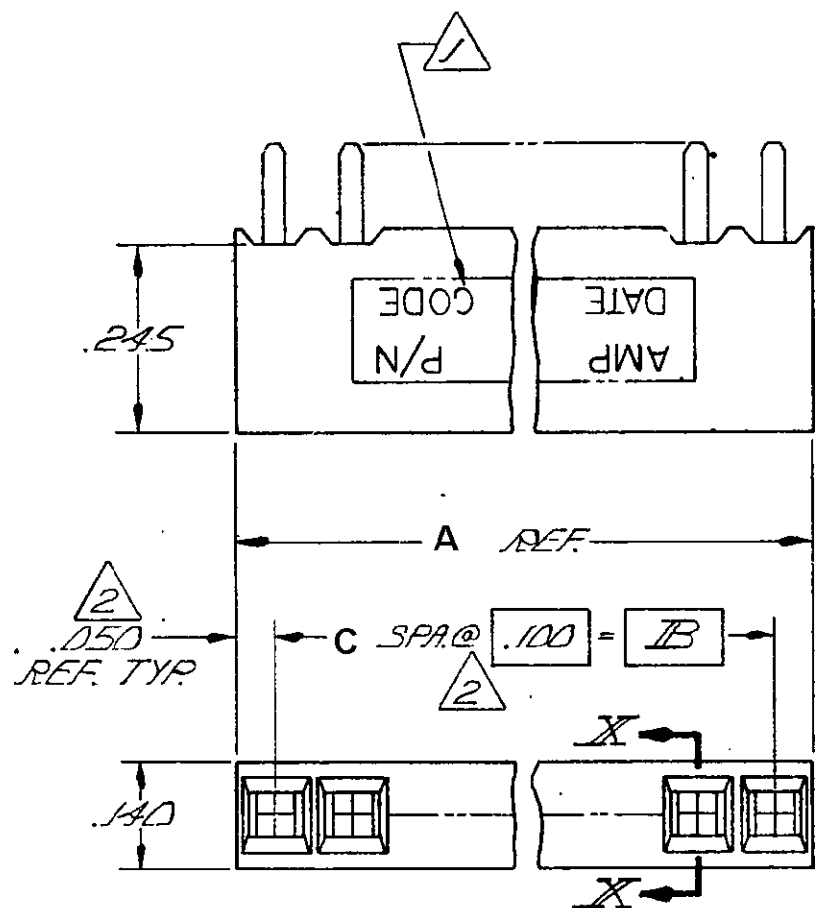
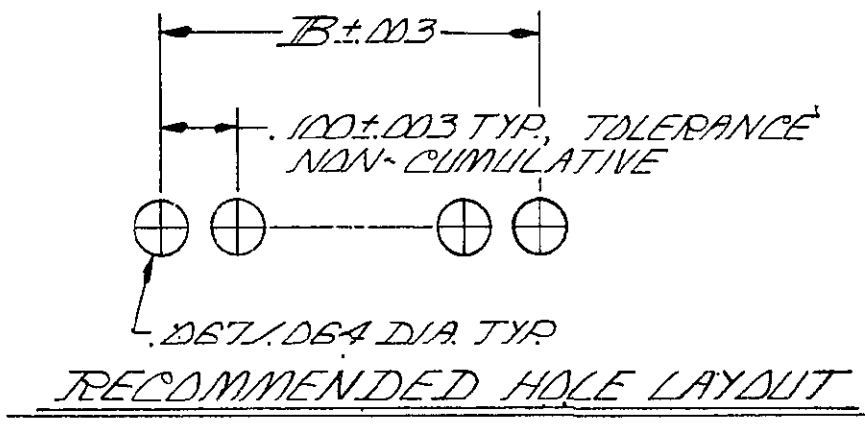


THIS DRAWING IS UNPUBLISHED. RELEASED FOR PUBLICATION
 © COPYRIGHT 19 BY AMP INCORPORATED, HARRISBURG, PA. ALL INTERNATIONAL RIGHTS RESERVED. AMP PRODUCTS MAY BE COVERED BY U.S. AND FOREIGN PATENTS AND/OR PATENTS PENDING.

REVISIONS						
P	F	ZONE	LTR	DESCRIPTION	DATE	APPROVED
			K	REV PER OG3C-0273-01	12SEP01	RB



① "AMP", "CSA", DATE CODE AND PART NUMBER WITH $0.62 \pm .015$ HIGH CHARACTERS. THE ORDER AND LOCATION IS OPTIONAL.

② THESE DIMENSIONS PERTAIN TO CAVITY E'S ONLY NOT TO CONTACT LOCATIONS, TOLERANCES ARE NON-CUMULATIVE.

③ POINT OF MEASUREMENT FOR PLATING THICKNESS (INSIDE BEAMS).

④ DUPLEX PLATING: .000100-.000200 BRIGHT TIN OR BRIGHT TIN-LEAD ON SOLDER TINES, .000030 GOLD IN CONTACT AREA, ALL OVER. .000050 NICKEL.

5. INK STAMP (WHITE) "CSA" LOGO ON PART.

.500	.400	4	5	3-103176-8
4.000	3.900	39	40	3-103176-7
				3- -6
				3- -5
				3- -4
				3- -3
				3- -2
				3- -1
				3- -0
				2- -9
				2- -8
3.000	2.900	29	30	2- -7
				2- -6
				2- -5
				2- -4
				2- -3
2.500	2.400	24	25	2- -2
2.400	2.300	23	24	2- -1
				2- -0
2.200	2.100	21	22	1- -9
				1- -8
2.000	1.900	19	20	1- -7
				1- -6
1.800	1.700	17	18	1- -5
				1- -4
				1- -3
1.500	1.400	14	15	1- -2
1.400	1.300	13	14	1- -1
1.300	1.200	12	13	1- -0
1.200	1.100	11	12	-9
				-8
1.000	.900	9	10	-7
.900	.800	8	9	-6
.800	.700	7	8	-5
.700	.600	6	7	-4
.600	.500	5	6	-3
.400	.300	3	4	-2
.300	.200	2	3	103176-1

A	B	C	NO. OF PDS.	PART NO
---	---	---	-------------	---------

UNLESS OTHERWISE SPECIFIED DIMENSIONS ARE IN INCHES. TOLERANCES ON: DECIMALS $\pm .005$ ANGLES $\pm .015$	CONTRACT NO	AMP INCORPORATED Harrisburg, Pa. 17105
	DR. <i>R. A. Paul 2-28-83</i> CHK. <i>A. Dingler 3-25-83</i> APPD. <i>Chas. Hamner 2-28-83</i> APPD. <i>J. M. Umopt 3-1-83</i> DSGN APPD.	
MATERIAL HOUSING- FLAME RETARDANT THERMOPLASTIC, COLOR- BLACK CONTACTS- PHOS. BRONZE FINISH CONTACTS-	OTHER APPD	NAME ASSEMBLY, MOD IV, SINGLE ROW, 100E
		SIZE C FSCM NO 00779 DRAWING NO 103176
		SCALE # SHEET 1 OF 1