

Specifications

Voltage Rating: 150 V AC
 Current Rating: 1.5A
 Operating Temperature Range: -40°C to +105°C
 Withstanding Voltage: 500 V for 1 minute

Materials and Finish

Housing: UL 94V-0 listed
 Terminals: Brass
 Contact Plating: Selective Gold or Gold over Nickel

Features

Pin count from 4 to 60

Part Number (Details)

ZP3 - *** - ** - G*

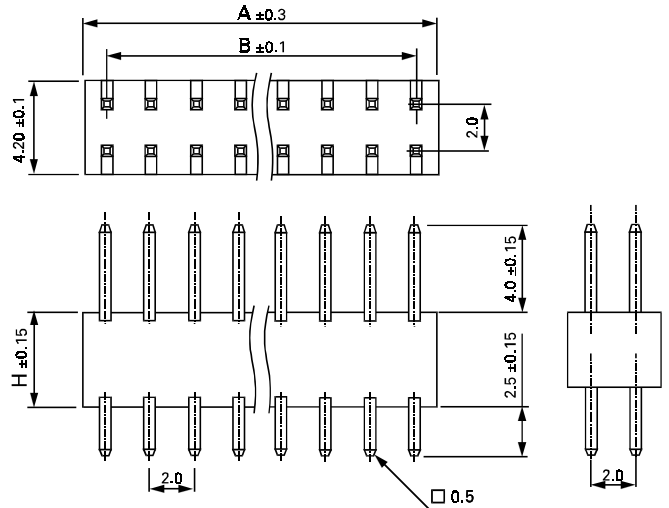
Series No. []
 Plastic Height (see table) []
 No. of Contact Pins (4 - 60) []
 Mating Face Plating:
 G2T = Selective Gold
 G3T = 10μ" Selective Gold
 G4T = 15μ" Selective Gold
 G5T = 30μ" Selective Gold
 G2 = Gold Flash
 G3 = 10μ" Gold over Nickel
 G4 = 15μ" Gold over Nickel
 G5 = 30μ" Gold over Nickel

Dimensional Information

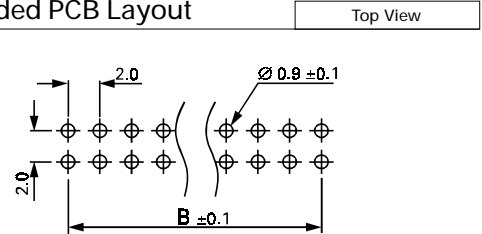
Part Number	Dim. A	Dim. B
ZP3-***-04-G*	4.0	2.0
ZP3-***-06-G*	6.0	4.0
ZP3-***-08-G*	8.0	6.0
ZP3-***-10-G*	10.0	8.0
ZP3-***-12-G*	12.0	10.0
ZP3-***-14-G*	14.0	12.0
ZP3-***-16-G*	16.0	14.0
ZP3-***-18-G*	18.0	16.0
ZP3-***-20-G*	20.0	18.0
ZP3-***-22-G*	22.0	20.0
ZP3-***-24-G*	24.0	22.0
ZP3-***-26-G*	26.0	24.0
ZP3-***-28-G*	28.0	26.0
ZP3-***-30-G*	30.0	28.0
ZP3-***-32-G*	32.0	30.0
ZP3-***-34-G*	34.0	32.0
ZP3-***-36-G*	36.0	34.0
ZP3-***-38-G*	38.0	36.0
ZP3-***-40-G*	40.0	38.0
ZP3-***-42-G*	42.0	40.0
ZP3-***-44-G*	44.0	42.0
ZP3-***-46-G*	46.0	44.0
ZP3-***-48-G*	48.0	46.0
ZP3-***-50-G*	50.0	48.0
ZP3-***-52-G*	52.0	50.0
ZP3-***-54-G*	54.0	52.0
ZP3-***-56-G*	56.0	54.0
ZP3-***-58-G*	58.0	56.0
ZP3-***-60-G*	60.0	58.0

Applicable Dimensions (Reference Only)

Outline Connector Dimensions



Recommended PCB Layout



Part Number and Details for Plastic Height

Part Number	Dim. H	Part Number	Dim. H	Part Number	Dim. H
ZP3-015-**-G*	1.5	ZP3-055-**-G*	5.5	ZP3-095-**-G*	9.5
ZP3-020-**-G*	2.0	ZP3-060-**-G*	6.0	ZP3-100-**-G*	10.0
ZP3-025-**-G*	2.5	ZP3-065-**-G*	6.5	ZP3-105-**-G*	10.5
ZP3-030-**-G*	3.0	ZP3-070-**-G*	7.0	ZP3-110-**-G*	11.0
ZP3-035-**-G*	3.5	ZP3-075-**-G*	7.5	ZP3-115-**-G*	11.5
ZP3-040-**-G*	4.0	ZP3-080-**-G*	8.0	ZP3-120-**-G*	12.0
ZP3-045-**-G*	4.5	ZP3-085-**-G*	8.5		
ZP3-050-**-G*	5.0	ZP3-090-**-G*	9.0		

Information: for more available plastic heights please contact Yamaichi