

Note:

1. Material:

* Insulation: Nylon 66 UL 94V-0, Color Nature

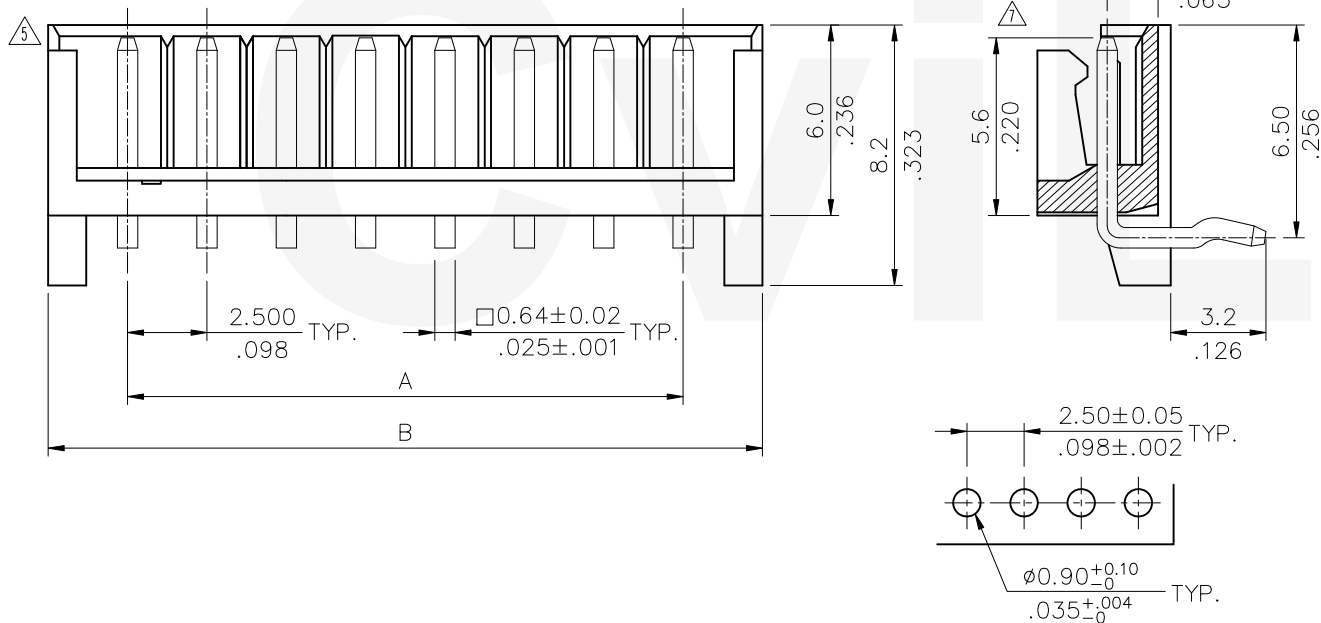
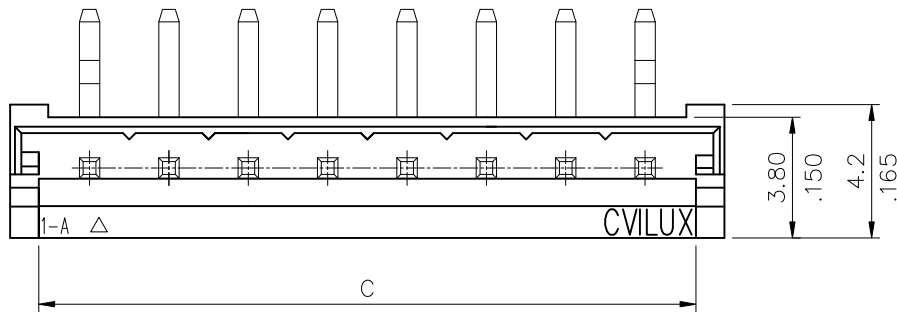
* Contact: Brass

△△ 2. For Lead Free Wave Flow Process

Ordering Code:

CI21 ** P 1 H *0
 ① ② ③ ④ ⑤ ⑥

- ① Series No.
- ② No. of Circuits
- ③ Contact type: P= Pin header
- ④ Plating option:
 1= 3.05μm(120μ") Min. Tin
 over 0.76μm(30μ") Nickel
- ⑤ Type: H= Right Angle
- ⑥ Other Option: K0= With Pin Kinked(Standard)
 00= Without Pin Kinked



| Circuits | Dimension | | |
|----------|--------------|-------------|--------------|
| | A | B | C |
| 2 | 2.50(.098) | 7.5(.295) | 5.70(.224) |
| 3 | 5.00(.197) | 10.0(.394) | 8.20(.323) |
| 4 | 7.50(.295) | 12.5(.492) | 10.70(.421) |
| 5 | 10.00(.394) | 15.0(.591) | 13.20(.520) |
| 6 | 12.50(.492) | 17.5(.689) | 15.70(.618) |
| 7 | 15.00(.591) | 20.0(.787) | 18.20(.717) |
| 8 | 17.50(.689) | 22.5(.886) | 20.70(.815) |
| 9 | 20.00(.787) | 25.0(.984) | 23.20(.913) |
| 10 | 22.50(.886) | 27.6(1.087) | 25.70(1.012) |
| 11 | 25.00(.984) | 30.1(1.185) | 28.20(1.110) |
| 12 | 27.50(1.083) | 32.6(1.284) | 30.70(1.209) |
| 13 | 30.00(1.181) | 35.1(1.382) | 33.20(1.307) |
| 14 | 32.50(1.280) | 37.6(1.480) | 35.70(1.406) |
| 15 | 35.00(1.378) | 40.1(1.579) | 38.20(1.504) |

Recommended P.C. Board Layout

Halogen-Free

Lead Free Process

RoHS compliant

| | | | | | | | | | |
|-----|-------|-----------|-----------------------|--|---------------------|-----------|---|---|--|
| △7 | Sandy | 10/26-18' | ECNT118242 | | | DATE | UNIT: mm / inch | TITLE: 2.50MM(.098") RIGHT ANGLE PIN HEADERS | |
| △6 | Sun | 7/20-17' | ECNT117146/ECRT117041 | | DRAWN BY: Sandy | 10/26-18' | TOLERANCE UNLESS OTHERWISE SPECIFIED | MATERIAL: | |
| △5 | Ellie | 10/9-14' | ECNT114228/ECRB114059 | | ENGINEER: Sun | 10/26-18' | .X ± 0.30/.012 X.* ± 1' | FINISH: | |
| △4 | Enya | 3/8-13' | ECN13056-0/ECR13007-1 | | CHECKED BY: Eisley | 10/30-18' | .XX ± 0.20/.008 .X.* ± | DRAWING NO. CI2103SN PART NO. CI21**P1H*0 | |
| SYM | NAME | DATE | REVISIONS | | APPROVED BY: Eisley | 10/30-18' | .XXX ± 0.10/.004 .XX.* ± | SCALE 4 / 1 SHEET 1 OF 1 | |