

**STRAIGHT
STANDARD HEADERS
WITH AND WITHOUT
RETAINER/EJECTOR
LATCHES**

.100" x .100" CENTERS



PHYSICAL PROPERTIES

INSULATION MATERIAL: Glass filled thermoplastic rated UL 94V-0
COLOR: Blue
CONTACT MATERIAL: Phosphor bronze with 30µ inches min. gold over 50µ inches min. nickel plating

ELECTRICAL PROPERTIES

CURRENT RATING: 1 Amp
INSULATION RESISTANCE: >1 x 10⁹ Ohms @500 VDC
DIELECTRIC STRENGTH: >1000 VRMS @ sea level

ENVIRONMENTAL PROPERTIES

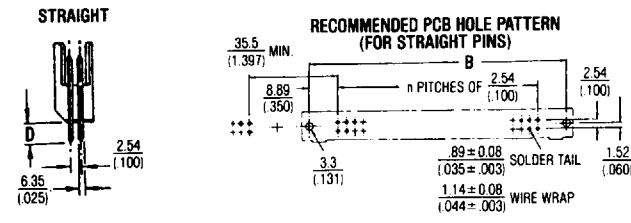
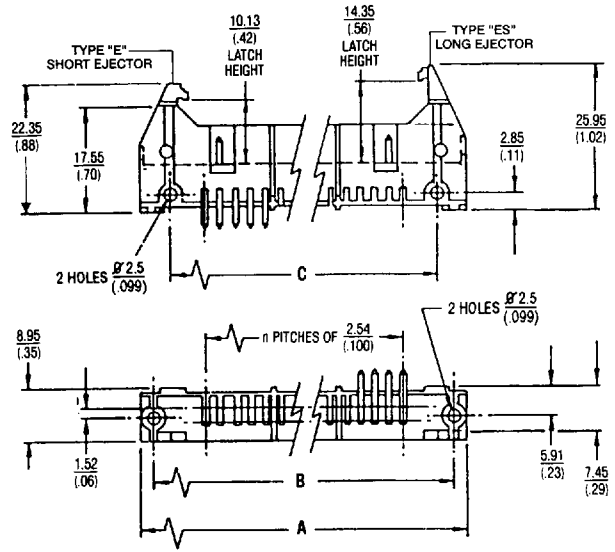
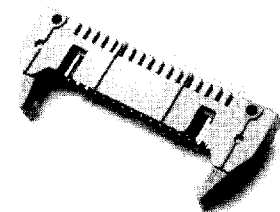
TEMPERATURE RATING: -55°C TO 125°C

MATING CONNECTORS

FEMALE SOCKETS: See pages 8-10

ACCESSORIES

POLARIZING KEY: See page 42



Ordering Information

PCB 1.57MM (.062) D=2.9MM (.114) STRAIGHT		CATALOG NUMBERS PCB 3.18 MM(.125) D=4.48MM (.176) STRAIGHT		WIREWRAP D=15.5MM (.610) STRAIGHT	NO. OF POS.	DIMENSIONS IN MM (INCHES)		
						A	B	C
609-0624	609-0634	609-0654	6	27.05 (1.07)	22.86 (.90)	16.76 (.66)		
609-1024	609-1034	609-1054	10	32.13 (1.26)	27.94 (1.10)	21.64 (.85)		
609-1224	609-1234	609-1254	12	34.64 (1.36)	30.48 (1.20)	24.38 (.96)		
609-1424	609-1434	609-1454	14	37.21 (1.46)	33.02 (1.30)	26.92 (1.06)		
609-1624	609-1634	609-1654	16	39.75 (1.56)	35.56 (1.40)	29.46 (1.16)		
609-2024	609-2034	609-2054	20	44.83 (1.76)	40.64 (1.60)	34.54 (1.36)		
609-2424	609-2434	609-2454	24	49.88 (1.96)	45.72 (1.80)	39.62 (1.56)		
609-2624	609-2634	609-2654	26	52.45 (2.06)	48.26 (1.90)	42.16 (1.66)		
609-3024	609-3034	609-3054	30	57.50 (2.26)	53.34 (2.10)	47.26 (1.86)		
609-3424	609-3434	609-3454	34	62.61 (2.46)	58.42 (2.30)	52.32 (2.06)		
609 3624	609-3634	609-3654	36	65.12 (2.56)	60.96 (2.40)	54.86 (2.16)		
609-4024	609-4034	609-4054	40	70.23 (2.76)	66.04 (2.60)	59.94 (2.36)		
609-4424	609-4434	609-4454	44	75.31 (2.96)	71.12 (2.80)	65.02 (2.56)		
609-5024	609-5034	609-5054	50	82.93 (3.26)	78.74 (3.10)	72.64 (2.86)		
609-6024	609-6034	609-6054	60	95.63 (3.76)	91.44 (3.60)	85.35 (3.36)		
609-6424	609-6434	609-6454	64	100.71 (3.96)	96.52 (3.80)	90.42 (3.56)		

For long ejectors, add suffix ES (609-XXXXES). For short ejectors, add suffix E (609-XXXXE)
 Add "R" to part number for PCB retention feature.