



CYPRESS

W224B

# 133-MHz Spread Spectrum FTG for Mobile Pentium III Platforms

## Features

- Maximized EMI suppression using Cypress's Spread Spectrum technology (-0.5% and -1.0%)
- Single chip system FTG for Mobile Intel® Platforms
- Three CPU outputs
- Seven copies of PCI clock (one Free Running)
- Seven SDRAM clock (one DCLK for Memory Hub)
- Two copies of 48-MHz clock (non-spread spectrum) optimized for USB reference input and video DOT clock
- Three 3V66 Hublink/AGP outputs
- One VCH clock (48-MHz non-SSC or 66.67-MHz SSC)
- Two APIC outputs
- One buffered reference output
- Supports frequencies up to 133 MHz
- Supports 5% and 10% overclocking
- SMBus interface for programming
- Power management control inputs

## Key Specifications

CPU, SDRAM Outputs Cycle-to-Cycle Jitter:..... 250 ps

APIC, 48-MHz, 3V66, PCI Outputs

Cycle-to-Cycle Jitter: ..... 500 ps

CPU Output Skew: ..... 150 ps

3V66 Output Skew: ..... 175 ps

APIC, SDRAM Output Skew: ..... 250 ps

PCI Output Skew: ..... 500 ps

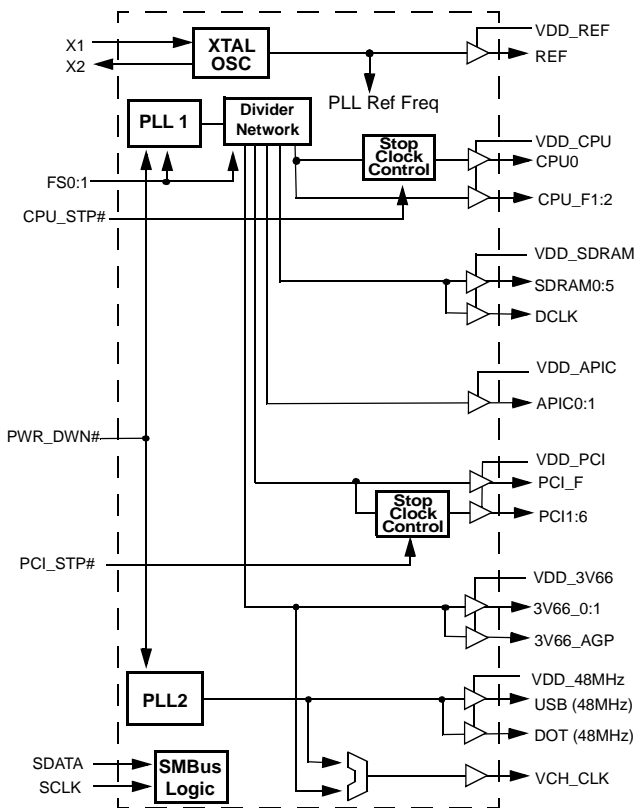
VDDQ3 (REF, PCI, 3V66, 48 MHz, SDRAM: ..... 3.3V±5%

VDDQ2 (CPU, APIC):..... 2.5V±5%

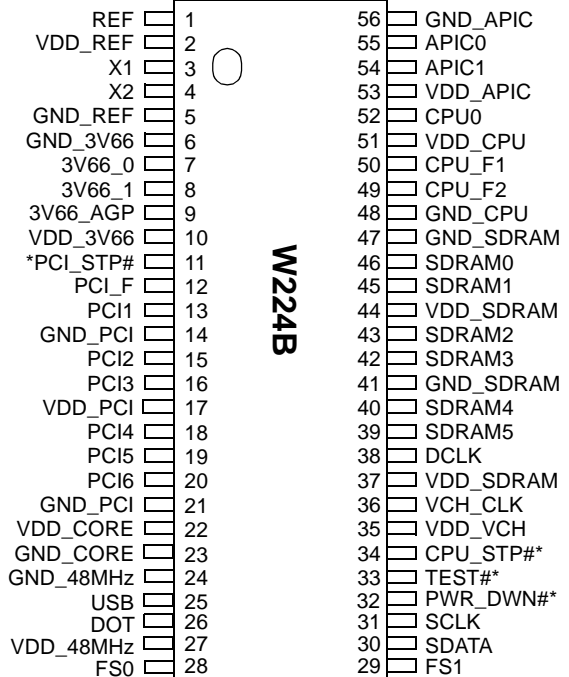
Table 1. Pin Selectable Functions

TEST#	FS1	FS0	CPU	SDRAM
0	x	0	Three-state	Three-state
0	x	1	Test	Test
1	0	0	66 MHz	100 MHz
1	0	1	100 MHz	100 MHz
1	1	0	133 MHz	133 MHz
1	1	1	133 MHz	100 MHz

## Block Diagram



## Pin Configuration<sup>[1]</sup>



### Note:

1. Internal pull-up resistors present on inputs marked with [\*]. Design should not rely solely on internal pull-up to set I/O pins HIGH.

Intel is a registered trademark of Intel Corporation.

**Pin Definitions**

Pin Name	Pin No.	Pin Type	Pin Description
CPU0, CPU_F1:2	52, 50, 49	O	<b>CPU Clock Outputs:</b> Frequency is set by the FS0:1 inputs or through serial input interface. The CPU0 output is gated by the CLK_STOP# input.
PCI1:6, PCI_F	13, 15, 16, 18, 19, 20, 12	O	<b>33-MHz PCI Outputs:</b> Except for the PCI_F output, these outputs are gated by the PCI_STOP# input.
APIC0:1	55, 54	O	<b>APIC Output:</b> 2.5V fixed 33.33-MHz clock. This output is synchronous to the CPU clock.
SDRAM0:5, DCLK	46, 45, 43, 42, 40, 39, 38	O	<b>SDRAM Output Clocks:</b> 3.3V outputs running at either 100MHz or 133MHz depending on the setting of FS0:1 inputs. DCLK is a free-running clock.
3V66_0:1, 3V66_AGP	7, 8, 9	O	<b>66MHz Clock Outputs:</b> 3.3V fixed 66-MHz clock.
USB	25	O	<b>USB Clock Output:</b> 3.3V fixed 48-MHz, non-spread spectrum USB clock output.
DOT	26	O	<b>Dot Clock Output:</b> 3.3V fixed 48-MHz, non-spread spectrum signal.
REF	1	O	<b>Reference Clock:</b> 3.3V 14.318-MHz clock output.
VCH_CLK	36	O	<b>Video Control Hub Clock Output:</b> 3.3V selectable 48MHz non-spread spectrum or 66.67 MHz spread spectrum clock output.
PWR_DWN#	32	I	<b>Power Down Control:</b> 3.3V LVTTTL-compatible input that places the device in power down mode when held low.
CPU_STP#	34	I	<b>CPU Output Control:</b> 3.3V LVTTTL-compatible input that stops only the CPU0 clock. Output remains in the low state.
PCI_STP#	11	I	<b>PCI Output Control:</b> 3.3V LVTTTL-compatible input that stops PCI1:6 clocks. Output remains in the low state.
TEST#	33	I	<b>Test Mode Control:</b> 3.3V LVTTTL-compatible input to place the device into test mode.
FS0:1	28, 29	I	<b>Frequency Selection Input:</b> 3.3V LVTTTL-compatible input used to select the CPU and SDRAM frequencies. See Frequency Table.
SCLK	31	I	<b>SMBus Clock Input:</b> Clock pin for SMBus circuitry.
SDATA	30	I/O	<b>SMBus Data Input:</b> Data pin for SMBus circuitry.
X1	3	I	<b>Crystal Connection or External Reference Frequency Input:</b> This pin has dual functions. It can be used as an external 14.318-MHz crystal connection or as an external reference frequency input.
X2	4	O	<b>Crystal Connection:</b> Connection for an external 14.318-MHz crystal. If using an external reference, this pin must be left unconnected.
VDD_REF, VDD_3V66, VDD_PCI, VDD_48MHz, VDD_VCH, VDD_SDRAM, VDD_SDRAM	2, 10, 17, 27, 35, 37, 44	P	<b>3.3V Power Connection:</b> Power supply for core logic, PLL circuitry, SDRAM outputs buffers, PCI output buffers, reference output buffers and 48-MHz output buffers. Connect to 3.3V.
VDD_APIC, VDD_CPU	51, 53	P	<b>2.5V Power Connection:</b> Power supply for APIC and CPU output buffers. Connect to 2.5V.

**Pin Definitions**

Pin Name	Pin No.	Pin Type	Pin Description
GND_REF, GND_3V66, GND_PCI, GND_PCI, GND_48MHz, GND_SDRAM, GND_SDRAM, GND_CPU, GND_APIC	5, 6, 14, 21, 24, 41, 47, 48, 56	G	<b>Ground Connection:</b> Connect all ground pins to the common system ground plane.
VDD_CORE	22	P	<b>3.3V Analog Power Connection:</b> Power supply for core logic, PLL circuitry. Connect to 3.3V.
GND_CORE	23	G	<b>Analog Ground Connection:</b> Ground for core logic, PLL circuitry.

**Overview**

The W224 is a highly integrated frequency timing generator, supplying all the required clock sources for an Intel architecture platform using graphics integrated core logic.

**CPU/SDRAM Frequency Selection**

CPU output frequency is selected through pins 28 and 29. For CPU/SDRAM frequency programming information, refer to *Table 2*. Alternatively, frequency selections are available through the serial data interface.

**Table 2. Frequency Select Truth Table**

TEST#	FS1	FS0	CPU	SDRAM	3V66	PCI	48MHz	REF	APIC	Notes
0	X	0	Hi-Z	Hi-Z	Hi-Z	Hi-Z	Hi-Z	Hi-Z	Hi-Z	2
0	X	1	TCLK/2	TCLK/2	TCLK/3	TCLK/6	TCLK/2	TCLK	TCLK/6	3, 4
1	0	0	66 MHz	100 MHz	66 MHz	33 MHz	48 MHz	14.318 MHz	33 MHz	5, 6, 7
1	0	1	100 MHz	100 MHz	66 MHz	33 MHz	48 MHz	14.318 MHz	33 MHz	5, 6, 7
1	1	0	133 MHz	133 MHz	66 MHz	33 MHz	48 MHz	14.318 MHz	33 MHz	5, 6, 7
1	1	1	133 MHz	100 MHz	66 MHz	33 MHz	48 MHz	14.318 MHz	33 MHz	5, 6, 7

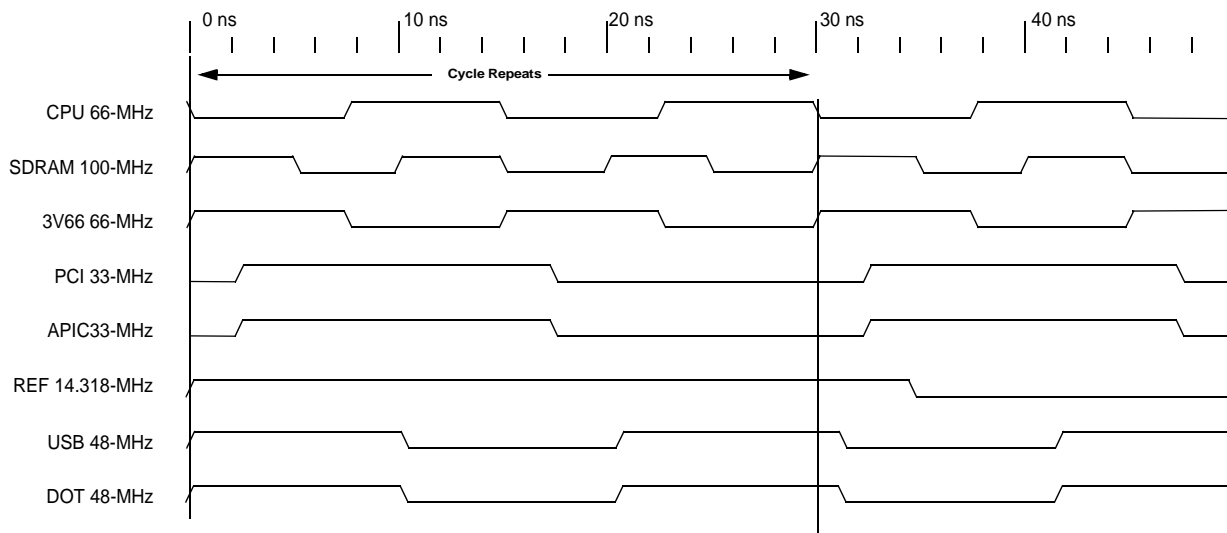
**Notes:**

2. Provided for board-level "bed of nails" testing.
3. TCLK is a test clock overdriven on the XTAL\_IN input during test mode.
4. Required for DC output impedance verification.
5. "Normal" mode of operation.
6. Range of reference frequency allowed is min. = 14.316 MHz, nominal = 14.31818 MHz, max. = 14.32 MHz.
7. Frequency accuracy of 48 MHz must be +167 PPM to match USB default.

**Offsets Among Clock Signal Groups**

Figure 1 and Figure 2 represent the phase relationship among the different groups of clock outputs from W224 when it is providing a 66-MHz CPU clock and a 100-MHz CPU clock, re-

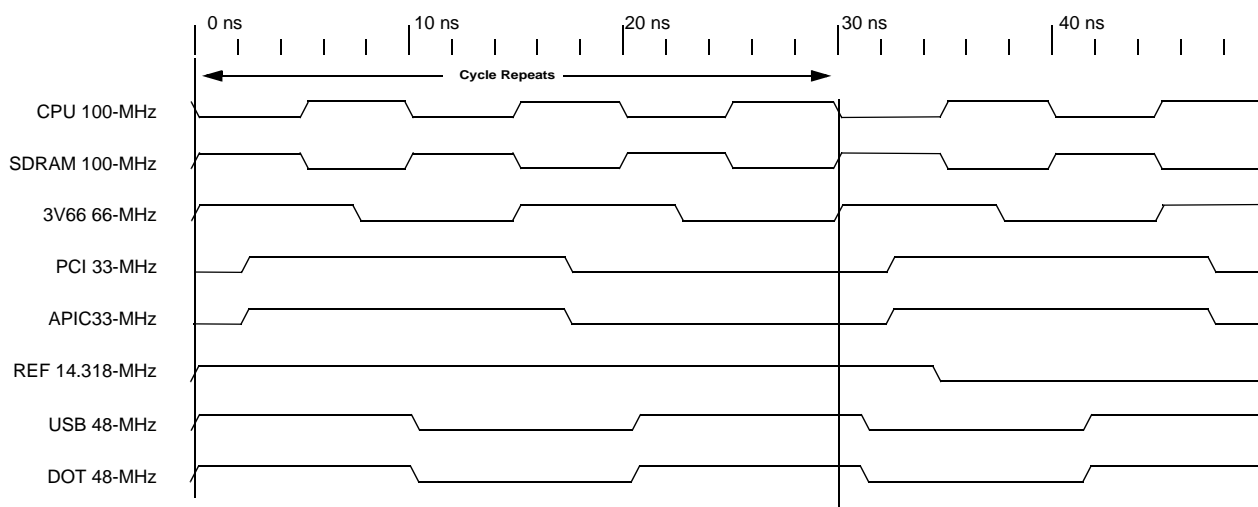
spectively. It should be noted that when CPU clock is operating at 100 MHz, CPU clock output is 180 degrees out of phase with SDRAM clock outputs.



**Figure 1. Group Offset Waveforms (66-MHz CPU/100-MHz SDRAM Clock)**

**Table 3. 66 MHz Group Timing Relationships and Tolerances**

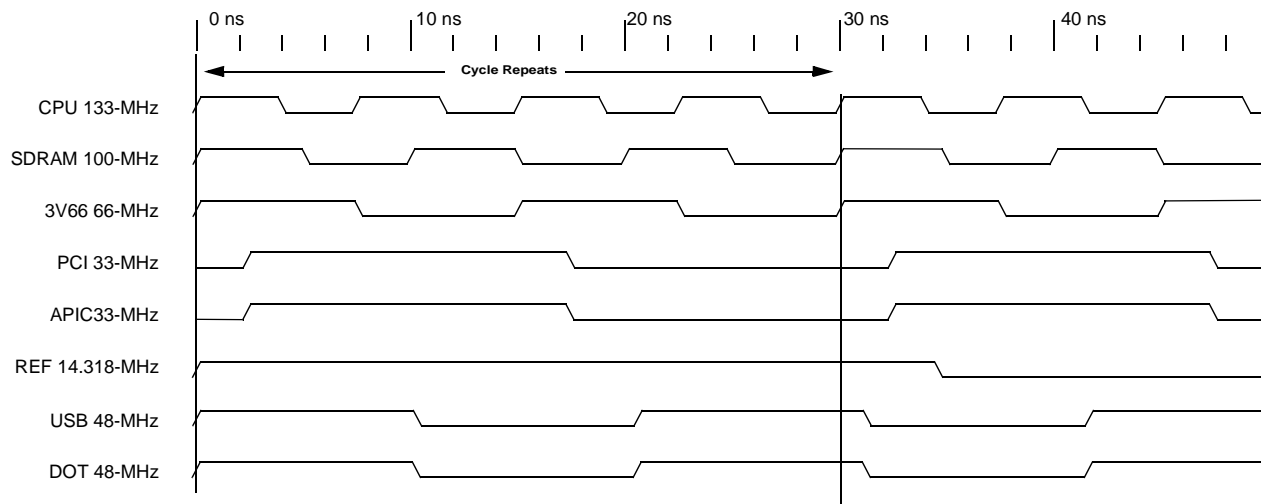
	<b>CPU to SDRAM</b>	<b>CPU to 3V66</b>	<b>SDRAM to 3V66</b>	<b>3V66 to PCI</b>	<b>PCI to APIC</b>	<b>USB &amp; DOT</b>
Offset	-2.5 ns	7.5 ns	0.0 ns	1.5-3.5 ns	0.0 ns	Async
Tolerance	500 ps	500 ps	500 ps	500 ps	1.0 ns	N/A



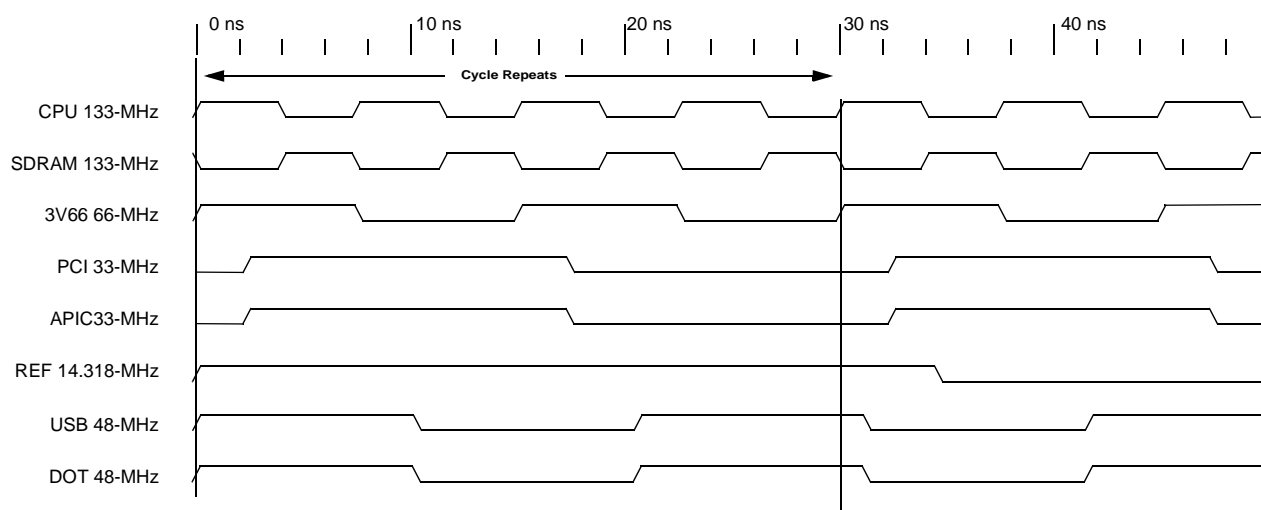
**Figure 2. Group Offset Waveforms (100-MHz CPU/100-MHz SDRAM Clock)**

**Table 4. 100-MHz Group Timing Relationships and Tolerances**

	<b>CPU to SDRAM</b>	<b>CPU to 3V66</b>	<b>SDRAM to 3V66</b>	<b>3V66 to PCI</b>	<b>PCI to APIC</b>	<b>USB &amp; DOT</b>
Offset	5.0 ns	5.0ns	0.0 ns	1.5–3.5 ns	0.0 ns	Async
Tolerance	500 ps	500 ps	500 ps	500 ps	1.0 ns	N/A


**Figure 3. Group Offset Waveforms (133-MHz CPU/100-MHz SDRAM Clock)**
**Table 5. 133-MHz/SDRAM 100-MHz Group Timing Relationships and Tolerances**

	<b>CPU to SDRAM</b>	<b>CPU to 3V66</b>	<b>SDRAM to 3V66</b>	<b>3V66 to PCI</b>	<b>PCI to APIC</b>	<b>USB &amp; DOT</b>
Offset	0.0 ns	0.0 ns	0.0 ns	1.5–3.5 ns	0.0 ns	Async
Tolerance	500 ps	500 ps	500 ps	500 ps	1.0 ns	N/A

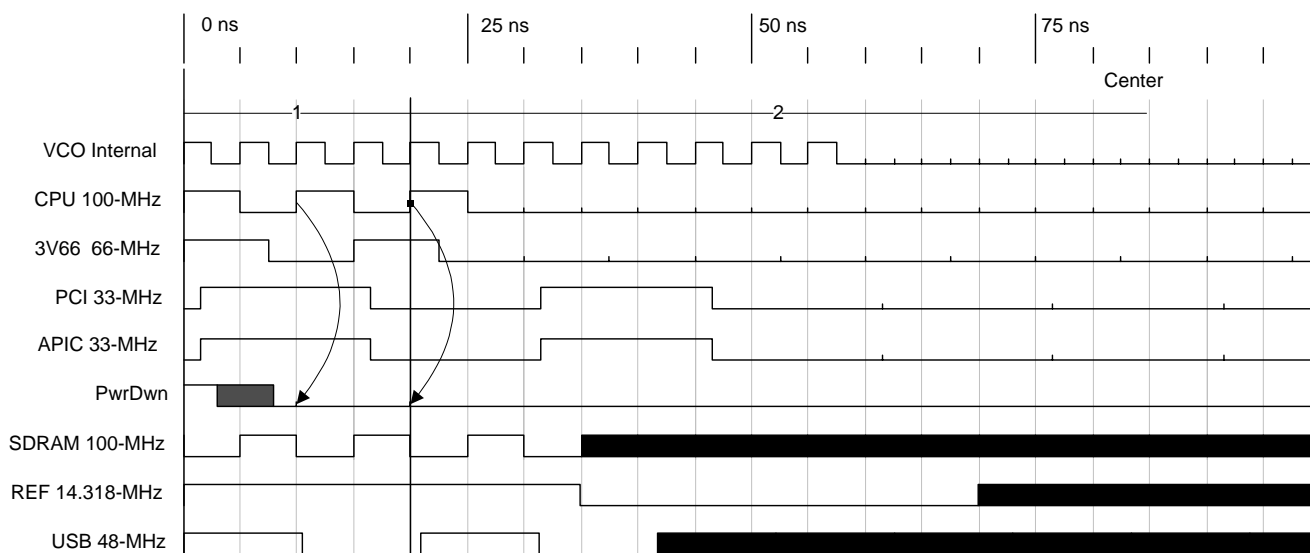

**Figure 4. Group Offset Waveforms (133-MHz CPU/133-MHz SDRAM Clock)**

**Table 6. 133 MHz/SDRAM Test Mode Group Timing Relationships and Tolerance**

	CPU to SDRAM	CPU to 3V66	SDRAM to 3V66	3V66 to PCI	PCI to APIC	USB& DOT
Offset	3.75 ns	0.0 ns	3.75 ns	1.5–3.5 ns	0.0 ns	Async
Tolerance	500 ps	500 ps	500 ps	500 ps	1.0 ns	N/A

**Power Down Control**

W224 provides one PWR\_DWN# signal to place the device in low-power mode. In low-power mode, the PLLs are turned off and all clock outputs are driven LOW.


**Figure 5. W224 PWR\_DWN# Timing Diagram**<sup>[8, 9, 10, 11]</sup>
**Table 7. W224 Maximum Allowed Current**

W224 Condition	Max. 2.5V supply consumption Max. discrete cap loads, $V_{DDQ2} = 2.625V$ All static inputs = $V_{DDQ3}$ or $V_{SS}$	Max. 3.3V supply consumption Max. discrete cap loads $V_{DDQ3} = 3.465V$ All static inputs = $V_{DDQ3}$ or $V_{SS}$
Powerdown Mode (PWR_DWN# = 0)	≤ 1 mA	≤ 1 mA
Full Active 66 MHz FS1:0 = 00 (PWR_DWN# = 1)	60 mA	160 mA
Full Active 100 MHz FS1:0 = 01 (PWR_DWN# = 1)	75 mA	160 mA
Full Active 133 MHz FS1:0 = 11 (PWR_DWN# = 1)	90 mA	160 mA

**Notes:**

8. Once the PWR\_DWN# signal is sampled LOW for two consecutive rising edges of CPU, clocks of interest will be held LOW on the next HIGH-to-LOW transition.
9. PWR\_DWN# is an asynchronous input and metastable conditions could exist. This signal is synchronized inside W224.
10. The shaded sections on the SDRAM, REF, and USB clocks indicate "don't care" states.
11. Diagrams shown with respect to 100 MHz. Similar operation when CPU is 66 MHz.

### Spread Spectrum Frequency Timing Generation

The device generates a clock that is frequency modulated in order to increase the bandwidth that it occupies. By increasing the bandwidth of the fundamental and its harmonics, the amplitudes of the radiated electromagnetic emissions are reduced. This effect is depicted in *Figure 6*.

As shown in *Figure 6*, a harmonic of a modulated clock has a much lower amplitude than that of an unmodulated signal. The reduction in amplitude is dependent on the harmonic number and the frequency deviation or spread. The equation for the reduction is:

$$dB = 6.5 + 9 \cdot \log_{10}(P) + 9 \cdot \log_{10}(F)$$

Where *P* is the percentage of deviation and *F* is the frequency in MHz where the reduction is measured.

The output clock is modulated with a waveform depicted in *Figure 7*. This waveform, as discussed in “Spread Spectrum Clock Generation for the Reduction of Radiated Emissions” by Bush, Fessler, and Hardin produces the maximum reduction in the amplitude of radiated electromagnetic emissions. The deviation selected for this chip is -0.5% or -1.0% of the selected frequency. *Figure 7* details the Cypress spreading pattern. Cypress does offer options with more spread and greater EMI reduction. Contact your local Sales representative for details on these devices.

Spread Spectrum clocking is activated or deactivated by selecting the appropriate value for bit 3 in data byte 0 of the SMBus data stream. Refer to page 9 for more details.

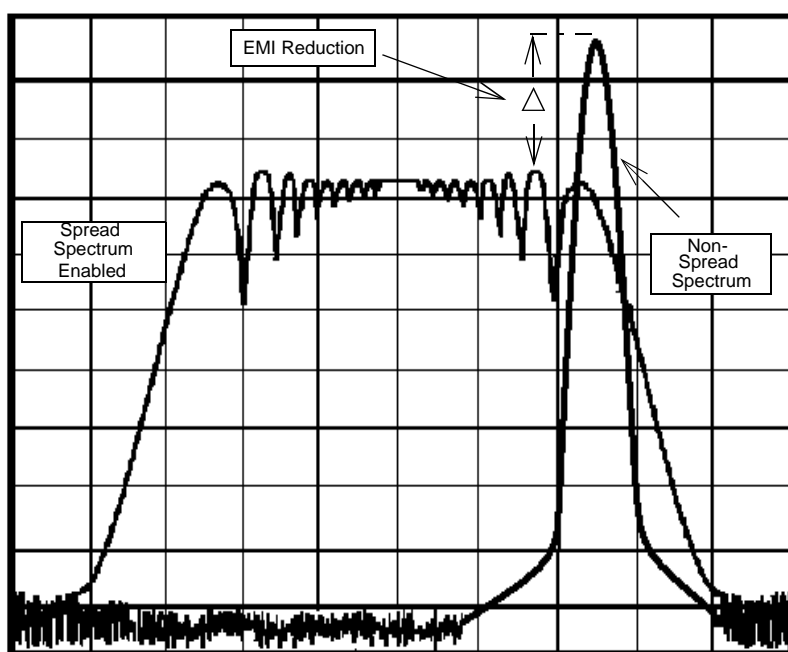


Figure 6. Clock Harmonic with and without SSCG Modulation Frequency Domain Representation

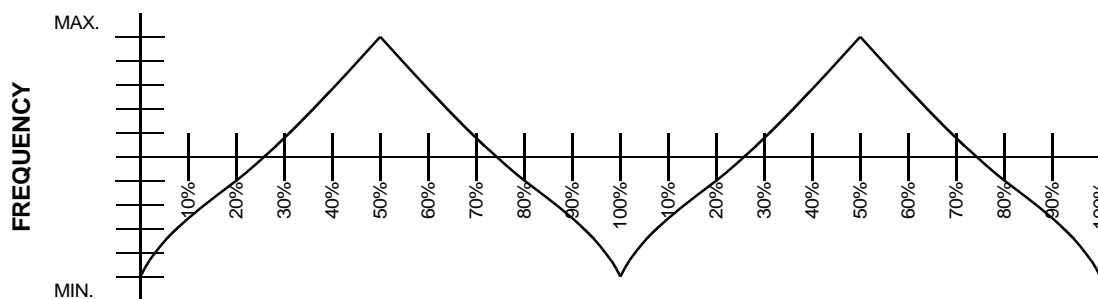
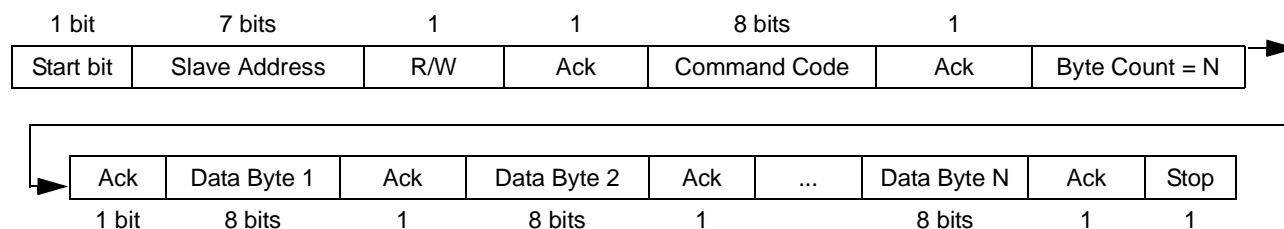


Figure 7. Typical Modulation Profile



**Figure 8. An Example of a Block Write<sup>[12]</sup>**

**Serial Data Interface**

The W224 features a two-pin, serial data interface that can be used to configure internal register settings that control particular device functions.

**Data Protocol**

The clock driver serial protocol accepts only block writes from the controller. The bytes must be accessed in sequential order from lowest to highest byte with the ability to stop after any complete byte has been transferred. Indexed bytes are not allowed.

A block write begins with a slave address and a write condition. After the command code the core logic issues a byte count which describes how many more bytes will follow in the message. If the host had 20 bytes to send, the first byte would be

the number 20 (14h), followed by the 20 bytes of data. The byte count may not be 0. A block write command is allowed to transfer a maximum of 32 data bytes. The slave receiver address for W224 is 11010010. *Figure 8* shows an example of a block write.

The command code and the byte count bytes are required as the first two bytes of any transfer. W224 expects a command code of 0000 0000. The byte count byte is the number of additional bytes required for the transfer, not counting the command code and byte count bytes. Additionally, the byte count byte is required to be a minimum of 1 byte and a maximum of 32 bytes to satisfy the above requirement. *Table 8* shows an example of a possible byte count value.

A transfer is considered valid after the acknowledge bit corresponding to the byte count is read by the controller.

**Table 8. Example of Possible Byte Count Value**

Byte Count Byte		Notes
MSB	LSB	
0000	0000	Not allowed. Must have at least one byte
0000	0001	Data for functional and frequency select register (currently byte 0 in spec)
0000	0010	Writes first two bytes of data (byte 0 then byte 1)
0000	0011	Writes first three bytes (byte 0, 1, 2 in order)
0000	0100	Writes first four bytes (byte 0, 1, 2, 3 in order)
0000	0101	Writes first five bytes (byte 0, 1, 2, 3, 4 in order)
0000	0110	Writes first six bytes (byte 0, 1, 2, 3, 4, 5 in order)
0000	0111	Writes first seven bytes (byte 0, 1, 2, 3, 4, 5, 6 in order)
0010	0000	Max. byte count supported = 32

**Note:**

12. The acknowledgment bit is returned by the slave/receiver (W224).



## W224 Serial Configuration Map

- The serial bits will be read by the clock driver in the following order:  
 Byte 0 - Bits 7, 6, 5, 4, 3, 2, 1, 0  
 Byte 1 - Bits 7, 6, 5, 4, 3, 2, 1, 0  
 Byte N - Bits 7, 6, 5, 4, 3, 2, 1, 0
- All unused register bits (reserved and N/A) should be written to a "0" level.
- All register bits labeled "Initialize to 0" must be written to zero during initialization. Failure to do so may result in higher than normal operating current.

### Byte 0: Control Register (1 = Enable, 0 = Disable)<sup>[13]</sup>

Bit	Pin#	Name	Pin Description
Bit 7	36	VCH	(Disabled/Enabled)
Bit 6	49	CPU_F2	(Disabled/Enabled)
Bit 5	50	CPU_F1	(Disabled/Enabled)
Bit 4	52	CPU0	(Disabled/Enabled)
Bit 3	-	Spread Spectrum (1=On/0=Off)	(Active/Inactive)
Bit 2	26	DOT	(Disabled/Enabled)
Bit 1	25	USB	(Disabled/Enabled)
Bit 0	--	Reserved Drive to '0'	(Active/Inactive)

### Byte 1: Control Register (1 = Enable, 0 = Disable)<sup>[13]</sup>

Bit	Pin#	Name	Pin Description
Bit 7	--	Reserved Drive to '0'	(Active/Inactive)
Bit 6	--	Reserved Drive to '0'	(Active/Inactive)
Bit 5	39	SDRAM5	(Disabled/Enabled)
Bit 4	40	SDRAM4	(Disabled/Enabled)
Bit 3	42	SDRAM3	(Disabled/Enabled)
Bit 2	43	SDRAM2	(Disabled/Enabled)
Bit 1	45	SDRAM1	(Disabled/Enabled)
Bit 0	46	SDRAM0	(Disabled/Enabled)

### Byte 2: Control Register (1 = Enable, 0 = Disable)<sup>[13]</sup>

Bit	Pin#	Name	Pin Description
Bit 7	9	3V66_AGP	(Disabled/Enabled)
Bit 6	8	3V66_1	(Disabled/Enabled)
Bit 5	7	3V66_0	(Disabled/Enabled)
Bit 4	--	Reserved Drive to '0'	(Active/Inactive)
Bit 3	--	Reserved Drive to '0'	(Active/Inactive)
Bit 2	--	Reserved Drive to '0'	(Active/Inactive)
Bit 1	--	Reserved Drive to '0'	(Active/Inactive)
Bit 0	--	Reserved Drive to '0'	((Active/Inactive)

**Note:**

13. Inactive means outputs are held LOW and are disabled from switching. These outputs are designed to be configured at power-on and are not expected to be configured during the normal modes of operation.

**Byte 3: Control Register (1 = Enable, 0 = Disable)**

Bit	Pin#	Name	Pin Description
Bit 7	-	Reserved Drive to '0'	(Active/Inactive)
Bit 6	20	PCI6	(Disabled/Enabled)
Bit 5	19	PCI5	(Disabled/Enabled)
Bit 4	18	PCI4	(Disabled/Enabled)
Bit 3	16	PCI3	(Disabled/Enabled)
Bit 2	15	PCI2	(Disabled/Enabled)
Bit 1	13	PCI1	(Disabled/Enabled)
Bit 0	--	SDRAM 133 MHz Mode Enable Default is Disabled = '0', Enabled = '1'	(Active/Inactive)

**Byte 4: Control Register (1 = Enable, 0 = Disable)**

Bit	Pin#	Name	Pin Description
Bit 7	36	VCH_CLK SSC Mode Enable Default is Disabled = '0'	(Disabled/Enabled)
Bit 6	-	Reserved Drive to '0'	(Active/Inactive)
Bit 5	-	Reserved Drive to '0'	(Active/Inactive)
Bit 4	-	Reserved Drive to '0'	(Active/Inactive)
Bit 3	-	Reserved Drive to '0'	(Active/Inactive)
Bit 2	-	Reserved Drive to '0'	(Active/Inactive)
Bit 1	-	Reserved Drive to '0'	(Active/Inactive)
Bit 0	-	Reserved Drive to '0'	(Active/Inactive)

**Byte 5: Control Register (1 = Enable, 0 = Disable)**

Bit	Pin#	Name	Pin Description
Bit 7	-	Reserved Drive to '0'	(Active/Inactive)
Bit 6	-	Spread Spectrum and Overclocking Mode Select. See <i>Table 9</i>	(Active/Inactive)
Bit 5	-		(Active/Inactive)
Bit 4	-	Reserved Drive to '0'	(Active/Inactive)
Bit 3	-	Reserved Drive to '0'	(Active/Inactive)
Bit 2	-	Reserved Drive to '0'	(Active/Inactive)
Bit 1	-	Reserved Drive to '0'	(Active/Inactive)
Bit 0	-	Reserved Drive to '0'	(Active/Inactive)

Byte 5 has been provided as an optional register to enable a greater degree of spread spectrum and overclocking performance for all PLL1 outputs. (CPU, SDRAM, DCLK, APIC, PCI, 3V66 and VCH\_CLK)

By enabling Byte 5, (bits 5 and 6) spread spectrum can be increased to -1.0% and /or overclocking of either 5% or 10% can be enabled. Although the default values are '0' for all bits, the part can be placed into either Tri-State or Test Mode by

programming both bits 5 and 6 to '1'. The part will enter this mode irrespective of pin 33, TEST#.

It is not necessary to access Byte 5 if these additional features are not implemented. All outputs will default to 0% overclocking upon power up, with either 0% or -0.5% spread spectrum. (Spread spectrum ON/OFF remains under Byte 0, bit 3 control). Note that 10% overclocking can only be enabled with Spread Spectrum turned OFF.

**Table 9. Spread Spectrum and Overclocking Mode Select<sup>[14]</sup>**

Byte 0	Byte 5		SS %	Overclock %	Description and Comments
Bit 3	Bit 5	Bit 6			
Spread Spectrum ON	0	0	-0.5%	0%	No overclocking
	0	1	-1.0%	0%	No overclocking
	1	0	-0.5%	5% <sup>[14]</sup>	
	1	1	-1.0%	5% <sup>[14]</sup>	
Spread Spectrum OFF	0	0	-	0%	
	0	1	-	10% <sup>[13]</sup>	
	1	0	-	5% <sup>[14]</sup>	
	1	1	Three-state or Test Mode		Mode determined by FS0 (see <i>Table 1</i> )

**Note:**

14. Overclocking not tested; characterized at room temperature only. Base Frequency determined through hardware select pins, FS0 & FS1.

**DC Electrical Characteristics<sup>[15]</sup>**
**Absolute Maximum DC Power Supply**

Parameter	Description	Min.	Max.	Unit
V <sub>DD3</sub>	3.3V Core Supply Voltage	-0.5	4.6	V
V <sub>DDQ2</sub>	2.5V I/O Supply Voltage	-0.5	3.6	V
V <sub>DDQ3</sub>	3.3V Supply Voltage	-0.5	4.6	V
T <sub>S</sub>	Storage Temperature	-65	150	°C

**Absolute Maximum DC I/O**

Parameter	Description	Min.	Max.	Unit
V <sub>ih3</sub>	3.3V Input High Voltage	-0.5	4.6	V
V <sub>il3</sub>	3.3V Input Low Voltage	-0.5		V
ESD prot.	Input ESD Protection	2000		V

**DC Operating Requirements**

Parameter	Description	Condition	Min.	Max.	Unit
V <sub>DD3</sub>	3.3V Core Supply Voltage	3.3V±5%	3.135	3.465	V
V <sub>DDQ3</sub>	3.3V I/O Supply Voltage	3.3V±5%	3.135	3.465	V
V <sub>DDQ2</sub>	2.5V I/O Supply Voltage	2.5V±5%	2.375	2.625	V
V <sub>DD3</sub> = 3.3V±5%					
V <sub>ih3</sub>	3.3V Input High Voltage	V <sub>DD3</sub>	2.0	V <sub>DD</sub> + 0.3	V
V <sub>il3</sub>	3.3V Input Low Voltage		V <sub>SS</sub> - 0.3	0.8	V
I <sub>il</sub>	Input Leakage Current <sup>[16]</sup>	0 < V <sub>in</sub> < V <sub>DD3</sub>	-5	+5	µA
V <sub>DDQ2</sub> = 2.5V±5%					
V <sub>oh2</sub>	2.5V Output High Voltage	I <sub>oh</sub> = (-1 mA)	2.0		V
V <sub>ol2</sub>	2.5V Output Low Voltage	I <sub>ol</sub> = (1 mA)		0.4	V
V <sub>DDQ3</sub> = 3.3V±5%					
V <sub>oh3</sub>	3.3V Output High Voltage	I <sub>oh</sub> = (-1 mA)	2.4		V
V <sub>ol3</sub>	3.3V Output Low Voltage	I <sub>ol</sub> = (1 mA)		0.4	V
V <sub>DDQ3</sub> = 3.3V±5%					
V <sub>poh3</sub>	PCI Bus Output High Voltage	I <sub>oh</sub> = (-1 mA)	2.4		V
V <sub>pol3</sub>	PCI Bus Output Low Voltage	I <sub>ol</sub> = (1 mA)		0.55	V
C <sub>in</sub>	Input Pin Capacitance			5	pF
C <sub>xtal</sub>	Xtal Pin Capacitance		13.5	22.5	pF
C <sub>out</sub>	Output Pin Capacitance			6	pF
L <sub>pin</sub>	Pin Inductance		0	7	nH
T <sub>a</sub>	Ambient Temperature	No Airflow	0	70	°C

**Note:**

15. Multiple Supplies: The voltage on any input or I/O pin cannot exceed the power pin during power-up. Power supply sequencing is NOT required.  
 16. Input Leakage Current does not include inputs with pull-up or pull-down resistors.

**AC Electrical Characteristics<sup>[15]</sup>**
 $T_A = 0^\circ\text{C to } +70^\circ\text{C}$ ,  $V_{DDQ3} = 3.3\text{V}\pm 5\%$ ,  $V_{DDQ2} = 2.5\text{V}\pm 5\%$ 
 $f_{XTL} = 14.31818\text{ MHz}$ 
**Spread Spectrum function turned off**

 AC clock parameters are tested and guaranteed over stated operating conditions using the stated lump capacitive load at the clock output.<sup>[17]</sup>
**AC Electrical Characteristics**

Parameter	Description	66.6-MHz Host		100-MHz Host		133-MHz Host		Unit	Notes
		Min.	Max.	Min.	Max.	Min.	Max.		
$T_{\text{Period}}$	Host/CPUCLK Period	15.0	15.5	10.0	10.5	7.5	8.0	ns	17
$T_{\text{HIGH}}$	Host/CPUCLK High Time	5.2	N/A	3.0	N/A	1.87	N/A	ns	16
$T_{\text{LOW}}$	Host/CPUCLK Low Time	5.0	N/A	2.8	N/A	1.67	N/A	ns	17
$T_{\text{RISE}}$	Host/CPUCLK Rise Time	0.4	1.6	0.4	1.6	0.4	1.6	ns	19
$T_{\text{FALL}}$	Host/CPUCLK Fall Time	0.4	1.6	0.4	1.6	0.4	1.6	ns	19
$T_{\text{Period}}$	SDRAM CLK Period (100-MHz)	10.0	10.5	10.0	10.5	10.0	10.5	ns	17
$T_{\text{HIGH}}$	SDRAM CLK High Time (100-MHz)	3.0	N/A	3.0	N/A	3.0	N/A	ns	16
$T_{\text{LOW}}$	SDRAM CLK Low Time (100-MHz)	2.8	N/A	2.8	N/A	2.8	N/A	ns	17
$T_{\text{RISE}}$	SDRAM CLK Rise Time (100-MHz)	0.4	1.6	0.4	1.6	0.4	1.6	ns	19
$T_{\text{FALL}}$	SDRAM CLK Fall Time (100-MHz)	0.4	1.6	0.4	1.6	0.4	1.6	ns	19
$T_{\text{Period}}$	APIC 33-MHz CLK Period	30.0	N/A	30.0	N/A	30.0	N/A	ns	17
$T_{\text{HIGH}}$	APIC 33-MHz CLK High Time	12.0	N/A	12.0	N/A	12.0	N/A	ns	16
$T_{\text{LOW}}$	APIC 33-MHz CLK Low Time	12.0	N/A	12.0	N/A	12.0	N/A	ns	17
$T_{\text{RISE}}$	APIC CLK Rise Time	0.4	1.6	0.4	1.6	0.4	1.6	ns	19
$T_{\text{FALL}}$	APIC CLK Fall Time	0.4	1.6	0.4	1.6	0.4	1.6	ns	19
$T_{\text{Period}}$	3V66 CLK Period	15.0	16.0	15.0	16.0	15.0	16.0	ns	17
$T_{\text{HIGH}}$	3V66 CLK High Time	5.25	N/A	5.25	N/A	5.25	N/A	ns	16
$T_{\text{LOW}}$	3V66 CLK Low Time	5.05	N/A	5.05	N/A	5.05	N/A	ns	17
$T_{\text{RISE}}$	3V66 CLK Rise Time	0.5	2.0	0.5	2.0	0.5	2.0	ns	19
$T_{\text{FALL}}$	3V66 CLK Fall Time	0.5	2.0	0.5	2.0	0.5	2.0	ns	19
$T_{\text{Period}}$	PCI CLK Period	30.0	N/A	30.0	N/A	30.0	N/A		17
$T_{\text{HIGH}}$	PCI CLK High Time	12.0	N/A	12.0	N/A	12.0	N/A		16
$T_{\text{LOW}}$	PCI CLK Low Time	12.0	N/A	12.0	N/A	12.0	N/A		17
$T_{\text{RISE}}$	PCI CLK Rise Time	0.5	2.0	0.5	2.0	0.5	2.0		19
$T_{\text{FALL}}$	PCI CLK Fall Time	0.5	2.0	0.5	2.0	0.5	2.0		19
$tp_{ZL}$ , $tp_{ZH}$	Output Enable Delay (All outputs)	1.0	10.0	1.0	10.0	1.0	10.0	ns	
$tp_{LZ}$ , $tp_{ZH}$	Output Disable Delay (All outputs)	1.0	10.0	1.0	10.0	1.0	10.0	ns	
$t_{\text{stable}}$	All Clock Stabilization from Power-Up		3		3		3	ms	18

**Notes:**

17. Period, jitter, offset, and skew measured on rising edge at 1.25 for 2.5V clocks and at 1.5V for 3.3V clocks.

 18.  $T_{\text{HIGH}}$  is measured at 2.0V for 2.5V outputs, 2.4V for 3.3V outputs.

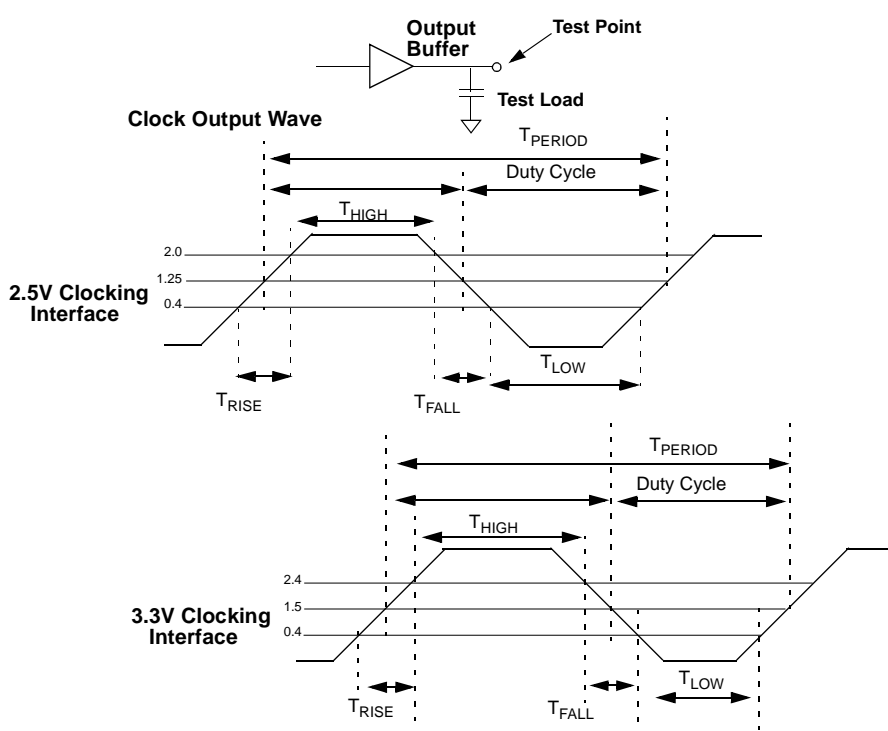
 19.  $T_{\text{LOW}}$  is measured at 0.4V for all outputs.

 20. The time specified is measured from when  $V_{DDQ3}$  achieves its nominal operating level (typical condition  $V_{DDQ3} = 3.3\text{V}$ ) until the frequency output is stable and operating within specification.

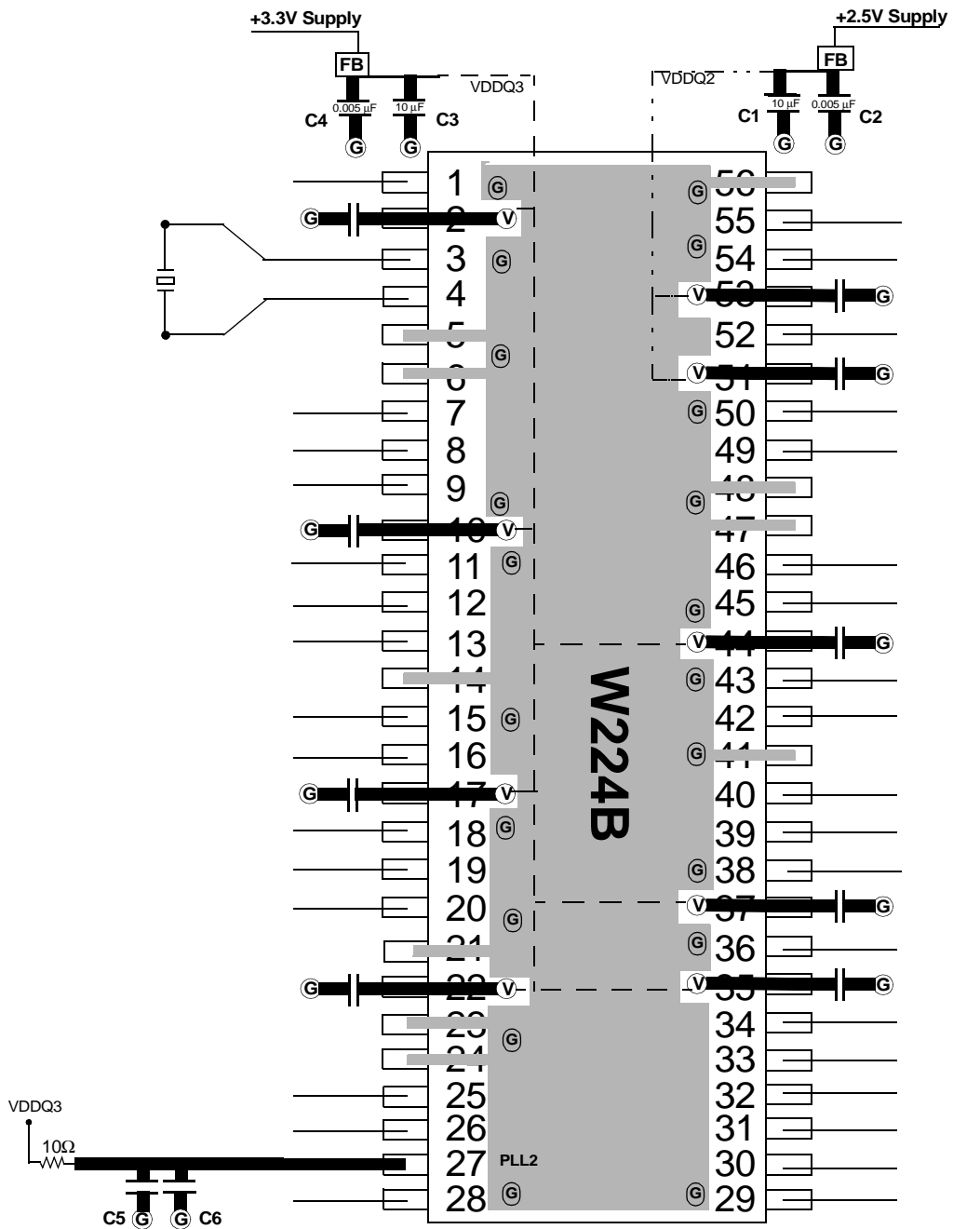
 21.  $T_{\text{RISE}}$  and  $T_{\text{FALL}}$  are measured as a transition through the threshold region  $V_{ol} = 0.4\text{V}$  and  $V_{oh} = 2.0\text{V}$  (1 mA) JEDEC specification for 2.5V outputs and  $V_{ol} = 0.4\text{V}$  and  $V_{oh} = 2.4\text{V}$  for 3.3V outputs.

**Group Skew and Jitter Limits**

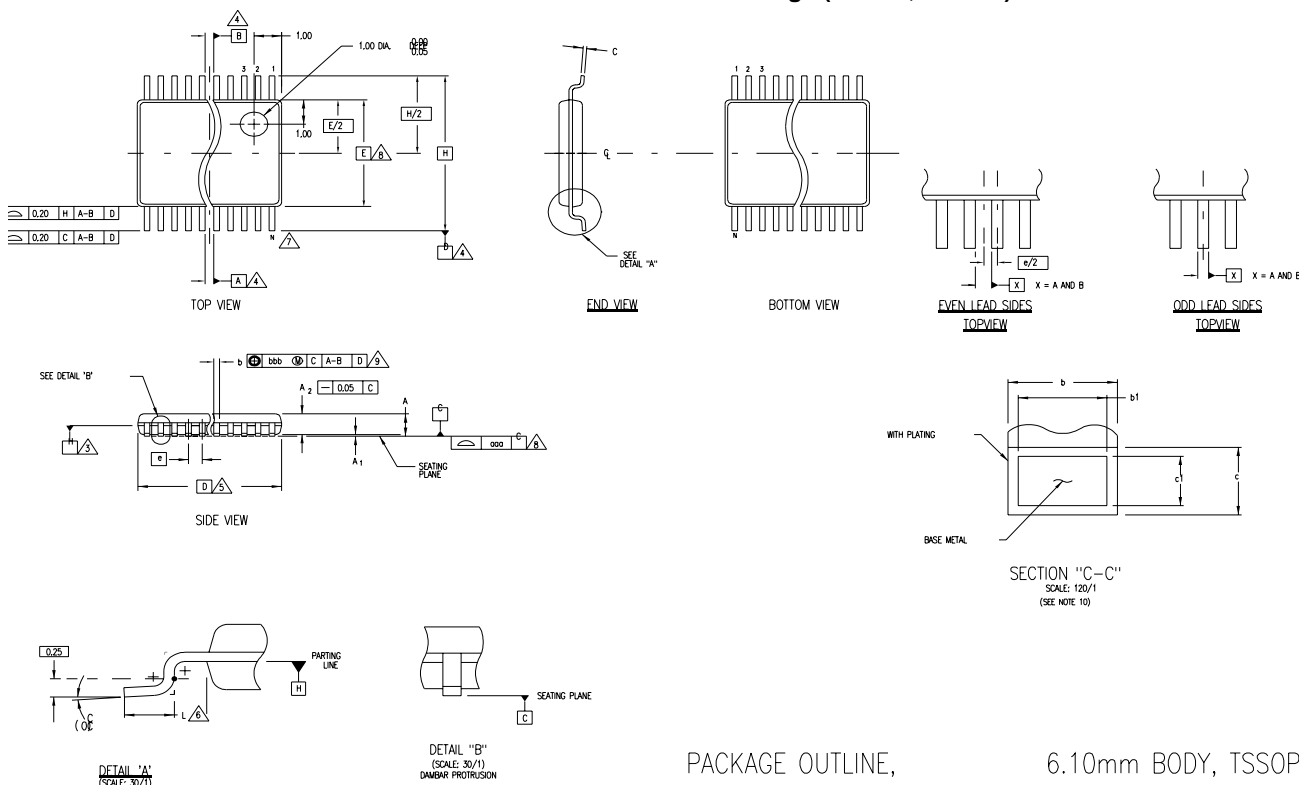
Output Group	Pin-Pin Skew Max.	Cycle-Cycle Jitter	Duty Cycle	Nom Vdd	Skew, Jitter Measure Point
CPU	150 ps	250 ps	45/55	2.5V	1.25V
SDRAM	250 ps	250 ps	45/55	3.3V	1.5V
APIC	250 ps	500 ps	45/55	2.5V	1.25V
48MHz	N/A	500 ps	45/55	3.3V	1.5V
3V66	175 ps	500 ps	45/55	3.3V	1.5V
PCI	500 ps	500 ps	45/55	3.3V	1.5V
REF	N/A	1000 ps	45/55	3.3V	1.5V
VCH_CLK	N/A	250ps	45/55	3.3V	1.5V


**Figure 9. Output Buffer**
**Ordering Information**

Ordering Code	Package Name	Package Type
W224B	H	56-pin SSOP (7.5 mm)
	X	56-pin TSSOP (6.1 mm)

**Layout Example**


**FB = Dale ILB1206 - 300 (300Ω @ 100 MHz)**  
**Ceramic Caps: C1, C3 & C5 = 10-22 μF C2 & C4 = 0.005 μF C6 = 0.1 μF**  
**ⓐ = VIA to GND plane layer ⓑ = VIA to respective supply plane layer**  
**Note: Each supply plane or strip should have a ferrite bead and capacitors**

**Package Diagrams**
**56-Pin Thin Shrink Small Outline Package (TSSOP, 6.1 mm)**


PACKAGE OUTLINE,

6.10mm BODY, TSSOP

THIS TABLE FOR 0.50mm PITCH

SYMBOL	COMMON DIMENSIONS			NOTE VARIATIONS	5			7
	MIN.	NOM.	MAX.		MIN.	NOM.	MAX.	
A	—	—	1.10	ED	12.40	12.50	12.60	48
A <sub>1</sub>	0.05	—	0.15	EE	13.90	14.00	14.10	56
A <sub>2</sub>	0.80	1.00	1.05	EF*	16.90	17.00	17.10	64
000	0.10							
b	0.17	—	0.27					
b1	0.17	0.20	0.23					
bbb	0.08							
c	0.09	—	0.20					
c1	0.09	0.127	0.16					
D	SEE VARIATIONS			5				
E	6.00	6.10	6.20	5				
e	0.50 BSC							
H	8.10 BSC							
L	0.50	0.60	0.75	6				
N	SEE VARIATIONS			7				
0c	0	—	8					

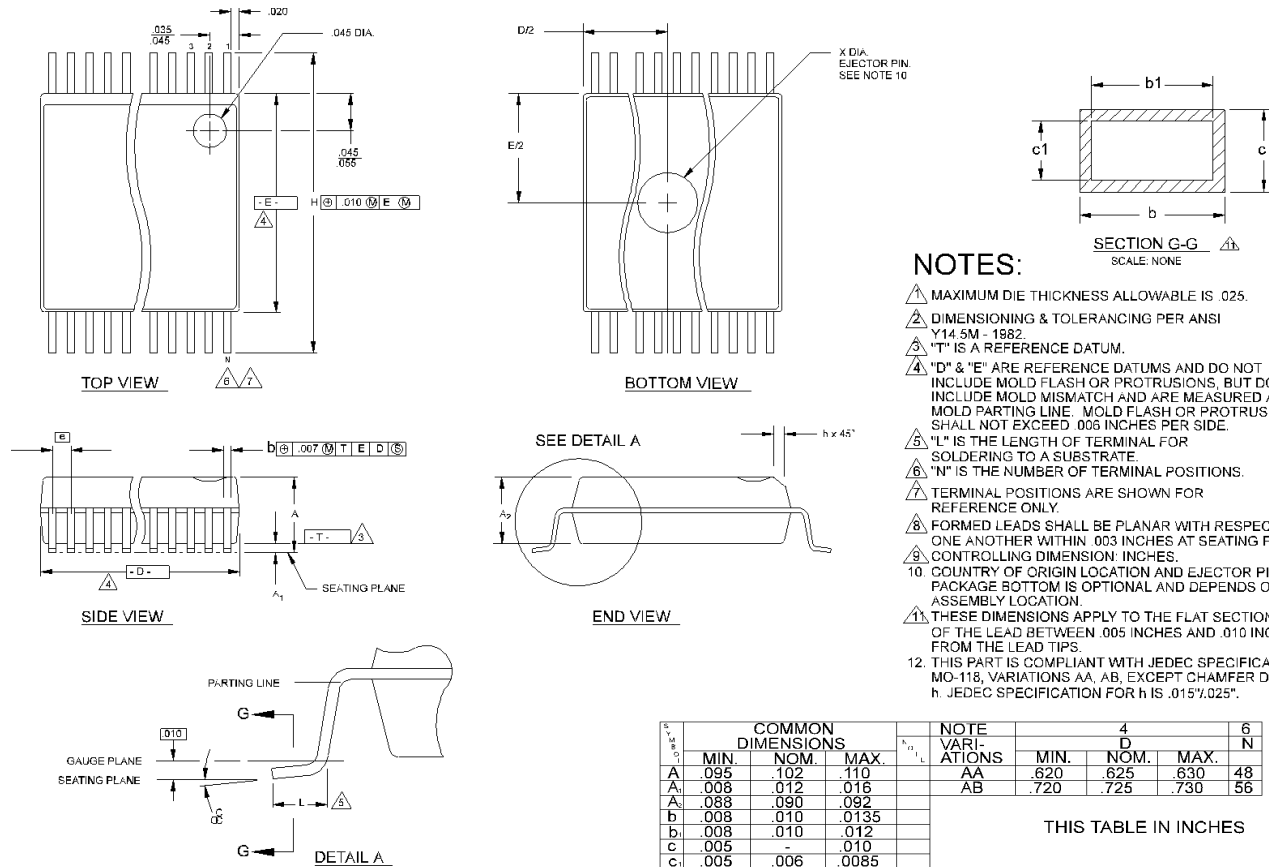
\*DESIGNED BUT NOT TOOLED

ALL DIMENSIONS IN MILLIMETERS

**NOTES:**

- DIE THICKNESS ALLOWABLE IS 0.2790, 0.127 (.0110) DIE
- DIMENSIONING & TOLERANCES PER ASME, Y14.5M-1994.
- DATUM PLANE H LOCATED AT MOLD PARTING LINE AND COINCIDENT WITH LEAD, WHERE LEAD EXITS PLASTIC BODY AT BOTTOM OF PARTING LINE.
- DATUMS A-B AND D TO BE DETERMINED WHERE CENTERLINE BETWEEN LEADS EXITS PLASTIC BODY AT DATUM PLANE H.
- "D" & "E" ARE REFERENCE DATUMS AND DO NOT INCLUDE MOLD FLASH OR PROTRUSIONS, AND ARE MEASURED AT THE BOTTOM PARTING LINE. MOLD FLASH OR PROTRUSIONS SHALL NOT EXCEED 0.15mm ON D AND 0.25mm ON E PER SIDE.
- DIMENSION IS THE LENGTH OF TERMINAL FOR SOLDERING TO A SUBSTRATE.
- TERMINAL POSITIONS ARE SHOWN FOR REFERENCE ONLY.
- FORMED LEADS SHALL BE PLANAR WITH RESPECT TO ONE ANOTHER WITHIN 0.076mm AT SEATING PLANE.
- THE LEAD WIDTH DIMENSION DOES NOT INCLUDE DAMBAR PROTRUSION. ALLOWABLE DAMBAR PROTRUSION SHALL BE 0.08mm TOTAL IN EXCESS OF THE LEAD WIDTH DIMENSION AT MAXIMUM MATERIAL CONDITION. DAMBAR CANNOT BE LOCATED ON THE LOWER RADIUS OR THE FOOT. MINIMUM SPACE BETWEEN PROTRUSIONS AND AN ADJACENT LEAD TO BE 0.10MM FOR 0.65MM PITCH, 0.08MM FOR 0.50MM PITCH AND 0.07MM FOR 0.40MM PITCH PACKAGES. SEE DETAIL "B" AND SECTION "C-C".
- SECTION "C-C" TO BE DETERMINED AT 0.10 TO 0.25 MM FROM THE LEAD TIP.
- CONTROLLING DIMENSION: MILLIMETERS.
- THIS PART IS COMPLIANT WITH JEDEC SPECIFICATION MO-153, VARIATIONS DB, DC, DE, ED, EE, AND FE.



**Package Diagrams (continued)**
**56-Pin Shrink Small Outline Package (SSOP, 7.5 mm)**

**NOTES:**

- 1. MAXIMUM DIE THICKNESS ALLOWABLE IS .025.
- 2. DIMENSIONING & TOLERANCING PER ANSI Y14.5M - 1982.
- 3. "T" IS A REFERENCE DATUM.
- 4. "D" & "E" ARE REFERENCE DATUMS AND DO NOT INCLUDE MOLD FLASH OR PROTRUSIONS, BUT DOES INCLUDE MOLD MISMATCH AND ARE MEASURED AT THE MOLD PARTING LINE. MOLD FLASH OR PROTRUSIONS SHALL NOT EXCEED .006 INCHES PER SIDE.
- 5. "L" IS THE LENGTH OF TERMINAL FOR SOLDERING TO A SUBSTRATE.
- 6. "N" IS THE NUMBER OF TERMINAL POSITIONS.
- 7. TERMINAL POSITIONS ARE SHOWN FOR REFERENCE ONLY.
- 8. FORMED LEADS SHALL BE PLANAR WITH RESPECT TO ONE ANOTHER WITHIN .003 INCHES AT SEATING PLANE.
- 9. CONTROLLING DIMENSION: INCHES.
- 10. COUNTRY OF ORIGIN LOCATION AND EJECTOR PIN ON PACKAGE BOTTOM IS OPTIONAL AND DEPENDS ON ASSEMBLY LOCATION.
- 11. THESE DIMENSIONS APPLY TO THE FLAT SECTION OF THE LEAD BETWEEN .005 INCHES AND .010 INCHES FROM THE LEAD TIPS.
- 12. THIS PART IS COMPLIANT WITH JEDEC SPECIFICATION MO-116, VARIATIONS AA, AB, EXCEPT CHAMFER DIMENSION h. JEDEC SPECIFICATION FOR h IS .015"±.025".

**Summary of nominal dimensions in inches:**

**Body Width: 0.296**  
**Lead Pitch: 0.025**  
**Body Length: 0.725**  
**Body Height: 0.102**

DIM.	COMMON DIMENSIONS			NOTE VARIATIONS	4 D			6 N
	MIN.	NOM.	MAX.		MIN.	NOM.	MAX.	
A	.095	.102	.110	AA	.620	.625	.630	48
A1	.008	.012	.016	AB	.720	.725	.730	56
A2	.088	.090	.092					
b	.008	.010	.0135					
b1	.008	.010	.012					
c	.005	-	.010					
c1	.005	.006	.0085					
D	SEE VARIATIONS			4				
E	.292	.296	.299					
e	.025 BSC							
H	.400	.406	.410					
h	.010	.013	.016					
L	.024	.032	.040					
N	SEE VARIATIONS			6				
X	.085	.093	.100	10				
αE	0°	5°	8°					

THIS TABLE IN INCHES

DIM.	COMMON DIMENSIONS			NOTE VARIATIONS	4 D			6 N
	MIN.	NOM.	MAX.		MIN.	NOM.	MAX.	
A	2.41	2.59	2.79	AA	15.75	15.88	16.00	48
A1	0.20	0.31	0.41	AB	18.29	18.42	18.54	56
A2	2.24	2.29	2.34					
b	0.203	0.254	0.343					
b1	0.203	0.254	0.305					
c	0.127	-	0.254					
c1	0.127	0.152	0.216					
D	SEE VARIATIONS			4				
E	7.42	7.52	7.59					
e	0.635 BSC							
H	10.16	10.31	10.41					
h	0.25	0.33	0.41					
L	0.61	0.81	1.02					
N	SEE VARIATIONS			6				
X	2.16	2.36	2.54	10				
αE	0°	5°	8°					

THIS TABLE IN MILLIMETERS

**Revision History**

<b>Document Title: W224B 133-MHz Spread Spectrum FTG for Mobile Pentium III Platforms</b>				
<b>Document Number: 38-07191</b>				
<b>REV.</b>	<b>ECN NO.</b>	<b>Issue Date</b>	<b>Orig. of Change</b>	<b>Description of Change</b>
**	110592	12/16/01	DSG	Change from Spec number: 38-00926 to 38-07191
*A	122822	12/22/02	RBI	Add Power up Requirements to Electrical Characteristics Information