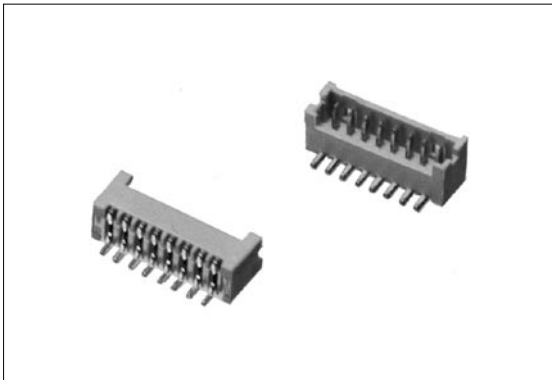


# HP Series SMT Plug (1.25mm Pitch)



### ■ Features

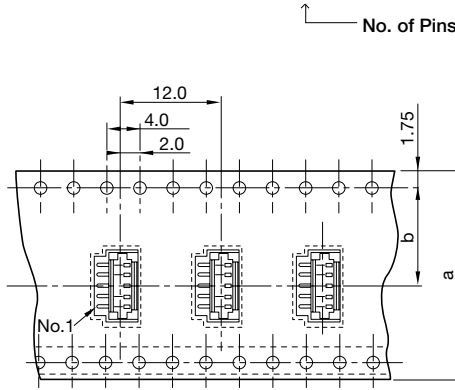
1. HP Series : Plugs for reflow and is perfect for high density mounting.
2. The number of pins available are 2 to 10, 12, 13 and 15.
3. Plugs are available in straight and right-angle types.
4. Supplied in the embossed taping with automatic moulder.

### ■ Specification

1. Rating : 1A, AC/DC 125V
2. Contact Resistance : 20mΩ max., initially
3. Insulation Resistance : 1000MΩ min. at 500V DC
4. Withstanding Voltage : 500V AC (for one minute)
5. Operating Temperature Range : -25°C to +85°C

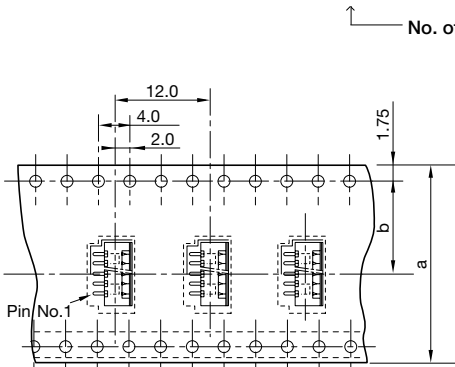
### ■ Taping Dimension

Straight Type CHP 25□□-0101F



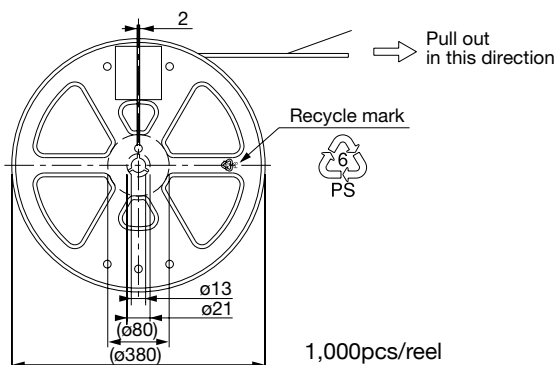
□□ No. of Pins	a	b	Plug Part No.
02	12	5.5	CHP2502-0101F
03			CHP2503-0101F
04			CHP2504-0101F
05	16	7.5	CHP2505-0101F
06			CHP2506-0101F
07			CHP2507-0101F
08	24	11.5	CHP2508-0101F
09			CHP2509-0101F
10			CHP2510-0101F
11	—	—	—
12	24	11.5	CHP2512-0101F
13			CHP2513-0101F
14	—	—	—
15	32	14.2	CHP2515-0101F

Right-Angle Type CHP 27□□-0101F



□□ No. of Pins	a	b	Plug Part No.
02	12	5.5	CHP2702-0101F
03			CHP2703-0101F
04	16	7.5	CHP2704-0101F
05			CHP2705-0101F
06			CHP2706-0101F
07	24	11.5	CHP2707-0101F
08			CHP2708-0101F
09			CHP2709-0101F
10	CHP2710-0101F		
11	—	—	—
12	24	11.5	CHP2712-0101F
13			CHP2713-0101F
14	—	—	—
15	32	14.2	CHP2715-0101F

### ■ Reel Dimension



# HP Series

## 1.25mm Pitch, SMT Plug

- Socket
- Terminal

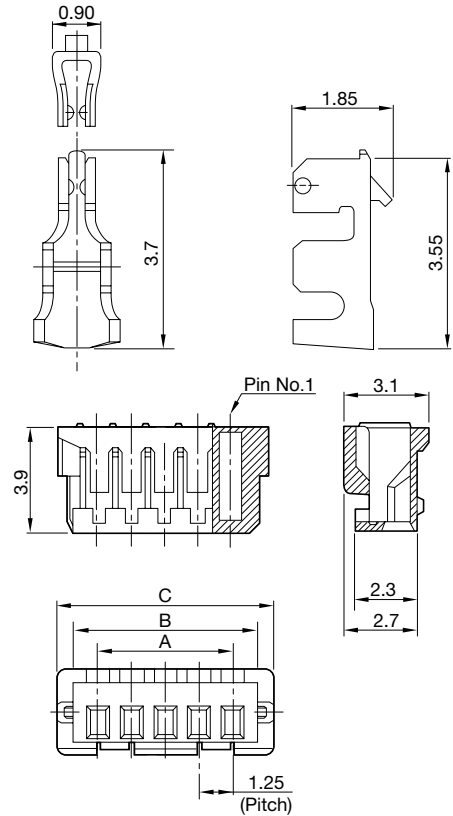
Part No.	Applicable Electrical Wire Size (AWG)	Electrical Wire Sheath Dia. (mm)	Material	Plating	No. of Terminal/ Reel
CTA1126-0501F	32 ~ 26	ø0.54 ~ 0.9	Cu Alloy	Sn (Reflow Treatment)	15,000

### ● Housing

□□ No. of Pins	Part No.	A	B	C
2	CHP1102-0101	1.25	3.05	4.25
3	CHP1103-0101	2.50	4.30	5.50
4	CHP1104-0101	3.75	5.55	6.75
5	CHP1105-0101	5.00	6.80	8.00
6	CHP1106-0101	6.25	8.05	9.25
7	CHP1107-0101	7.50	9.30	10.50
8	CHP1108-0101	8.75	10.55	11.75
9	CHP1109-0101	10.00	11.80	13.00
10	CHP1110-0101	11.25	13.05	14.25
11	—	—	—	—
12	CHP1112-0101	13.75	15.55	16.75
13	CHP1113-0101	15.00	16.80	18.00
14	—	—	—	—
15	CHP1115-0101	17.50	19.30	20.50

CHP 11□□-0101

↑ No. of Pins



### ■ Material and Plating

- Housing : Thermoplastic Resin, Gray, 94V-0

### ● Plug

□□ No. of Pins	Straight Type	Right-Angle Type	A	B
2	CHP2502-0101F	CHP2702-0101F	1.25	4.25
3	CHP2503-0101F	CHP2703-0101F	2.50	5.50
4	CHP2504-0101F	CHP2704-0101F	3.75	6.75
5	CHP2505-0101F	CHP2705-0101F	5.00	8.00
6	CHP2506-0101F	CHP2706-0101F	6.25	9.25
7	CHP2507-0101F	CHP2707-0101F	7.50	10.50
8	CHP2508-0101F	CHP2708-0101F	8.75	11.75
9	CHP2509-0101F	CHP2709-0101F	10.00	13.00
10	CHP2510-0101F	CHP2710-0101F	11.25	14.25
11	—	—	—	—
12	CHP2512-0101F	CHP2712-0101F	13.75	16.75
13	CHP2513-0101F	CHP2713-0101F	15.00	18.00
14	—	—	—	—
15	CHP2515-0101F	CHP2715-0101F	17.50	20.50

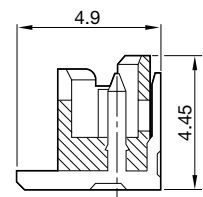
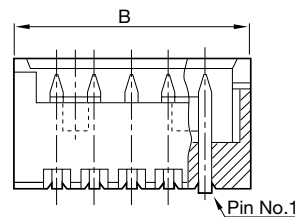
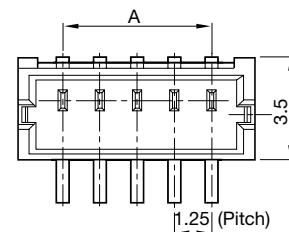
### ■ Material and Plating

- Housing : Thermoplastic Resin, Natural Color, 94V-0
- Plug Pin : Cu Alloy, Sn Cu Plating

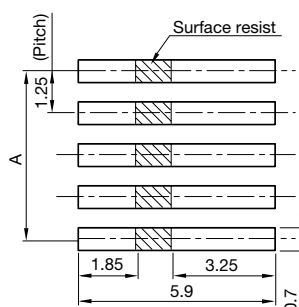
### Straight Type

CHP25□□-0101F

↑ No. of Pins



### ■ P.C. Board Dimension



### Right-Angle Type

CHP27□□-0101F

↑ No. of Pins

