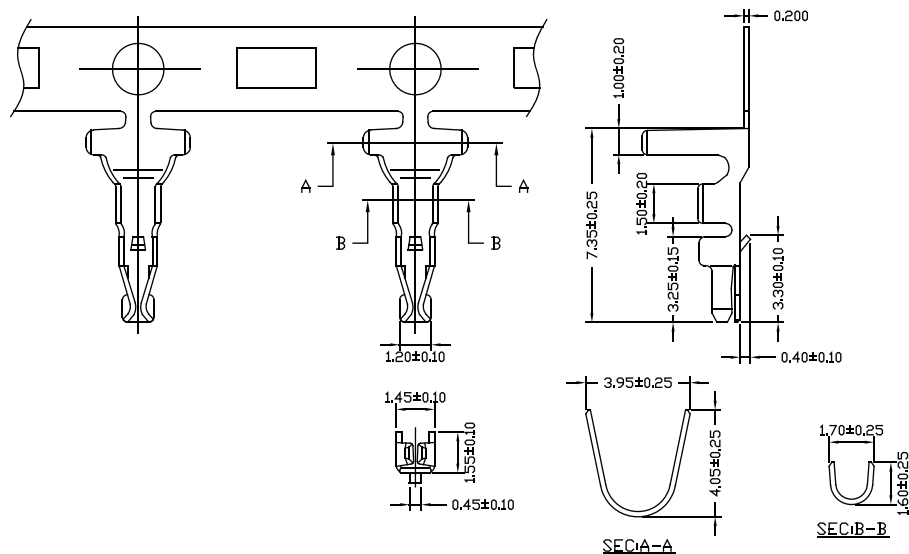


## 4.0mm LCD Terminal / Housing

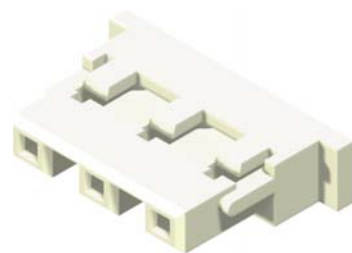


Part No.:LCD-T-L

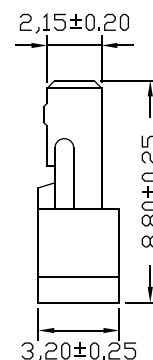
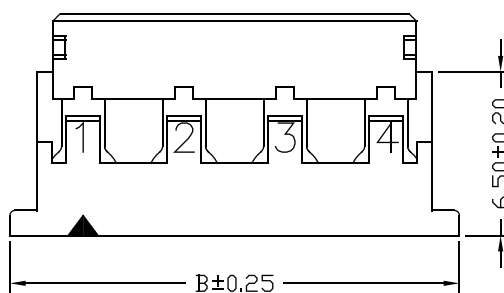
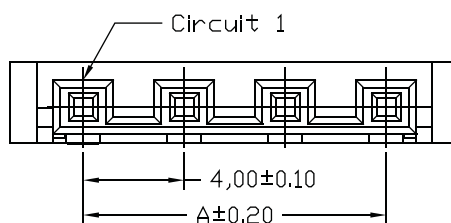
Wire Range	Insulation O.D	Material	Finish
AWG#22-#28	2.40mm(max)	Phosphor Bronze	Tin Plated

### Specifications

Current Rating: 1A AC,DC  
 Voltage Rating: 600V AC,DC  
 Temperature Range: -25°C to +85°C  
 Contact Resistance: 10mΩ Max.  
 Insulation Resistance: 1000MΩ Min.  
 Withstanding Voltage: 1800V AC/minute  
 Material: Nylon 66,UL94V-0



Part No.	Dimensions	
	A	B
LCDH-02W-L	4.00	9.80
LCDH-03W-L	8.00	13.80
LCDH-04W-L	12.00	17.80
LCDH-05W-L	16.00	21.80



Part No.:LCDH-XXW-L