

SN54ALS666, SN54ALS667, SN74ALS666, SN74ALS667 8-BIT D-TYPE TRANSPARENT READ-BACK LATCHES WITH 3-STATE OUTPUTS

D2855, JUNE 1984 — REVISED MAY 1986

- 3-State I/O-Type Read-Back Inputs
- Bus-Structured Pinout
- Choice of True or Inverting Logic
'ALS666 . . . True Outputs
'ALS667 . . . Inverting Outputs
- Preset and Clear Inputs
- Package Options Include Plastic "Small Outline" Packages, Both Plastic and Ceramic Chip Carriers, and Standard Plastic and Ceramic 300-mil DIPs
- Dependable Texas Instruments Quality and Reliability

description

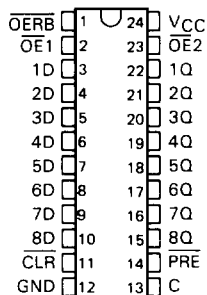
These 8-bit latches are designed specifically for storing the contents of the input data bus plus providing the capability of reading-back the stored data onto the input data bus. In addition, they provide a 3-state buffer type output and are easily utilized in bus-structured applications.

The eight latches of the 'ALS666 and 'ALS667 are transparent D-type. While the enable (C) is high, the Q outputs of the 'ALS666 will follow the data (D) inputs. On the 'ALS667, the \bar{Q} outputs will provide the inverse of what is applied to its data (D) inputs. On both devices, the Q or \bar{Q} output will be in the high-impedance state if either output control, $\bar{OE}1$ or $\bar{OE}2$, is at a high logic level.

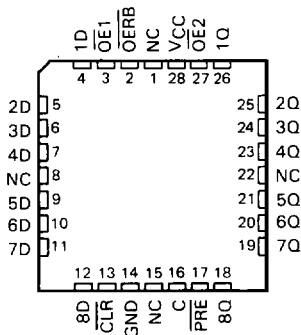
Read-back is provided thru the read-back control input (\bar{OERB}). When \bar{OERB} is taken low, the data present at the output of the data latches will be allowed to pass back onto the input data bus. When it is taken high, the output of the data latches will be isolated from the data (D) inputs. The read-back control does not affect the internal operation of the latches; however, caution should be exercised not to create a bus-conflict situation.

The SN54ALS666 and SN54ALS667 are characterized for operation over the full military temperature range of -55°C to 125°C . The SN74ALS666 and SN74ALS667 are characterized for operation from 0°C to 70°C .

SN54ALS666 . . . JT PACKAGE
SN74ALS666 . . . DW OR NT PACKAGE
(TOP VIEW)



SN54ALS666 . . . FK PACKAGE
SN74ALS666 . . . FN PACKAGE
(TOP VIEW)



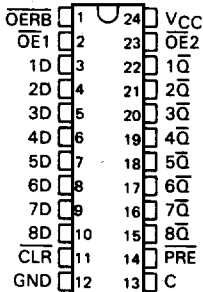
NC—No internal connection.

SN54ALS666, SN54ALS667, SN74ALS666, SN74ALS667

8-BIT D-TYPE TRANSPARENT READ-BACK LATCHES WITH 3-STATE OUTPUTS

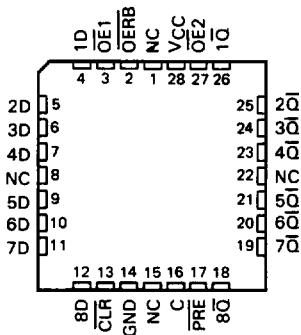
SN54ALS667 . . . JT PACKAGE
SN74ALS667 . . . DW OR NT PACKAGE

(TOP VIEW)



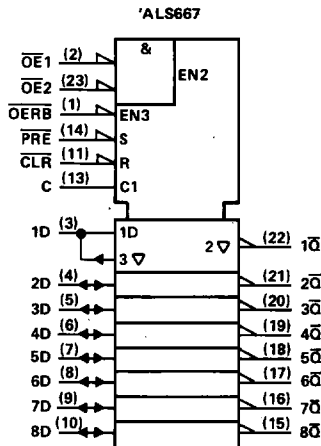
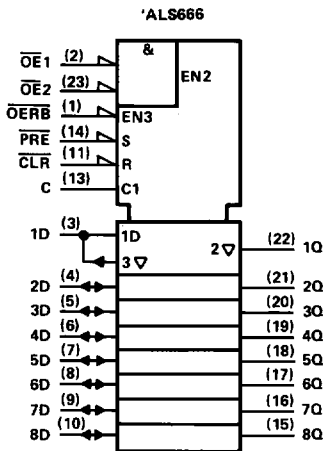
SN54ALS667 . . . FK PACKAGE
SN74ALS667 . . . FN PACKAGE

(TOP VIEW)



NC—No internal connection.

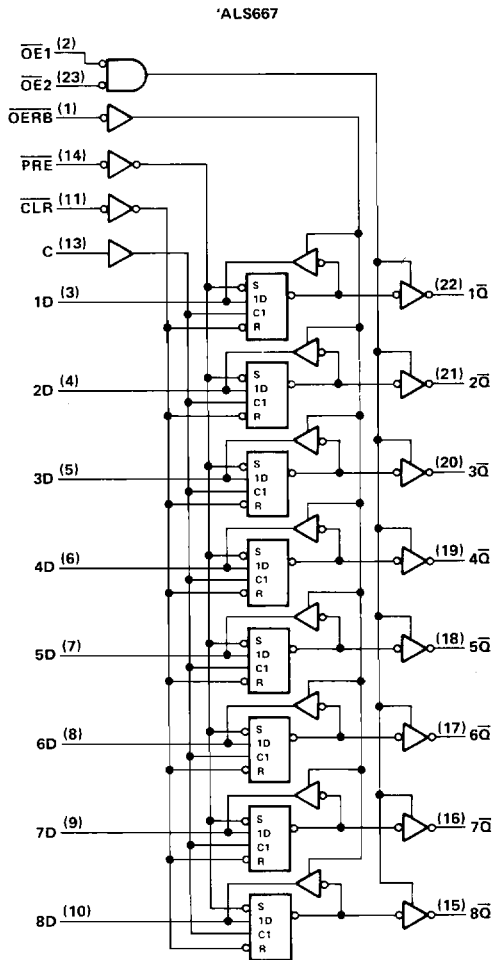
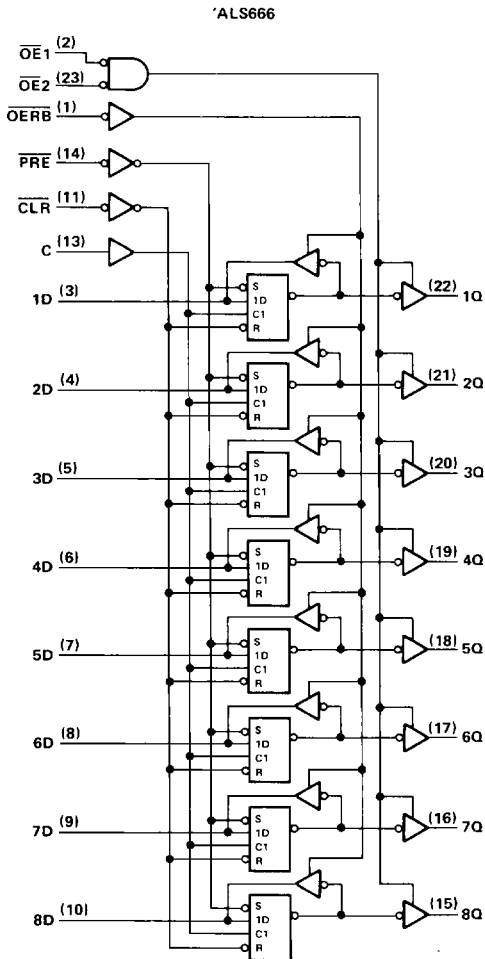
logic symbols†



†These symbols are in accordance with ANSI/IEEE Std 91-1984 and IEC Publication 617-12. Pin numbers shown are for DW, JT, and NT packages.

SN54ALS666, SN54ALS667, SN74ALS666, SN74ALS667
8-BIT D-TYPE TRANSPARENT READ-BACK LATCHES
WITH 3-STATE OUTPUTS

logic diagrams (positive logic)

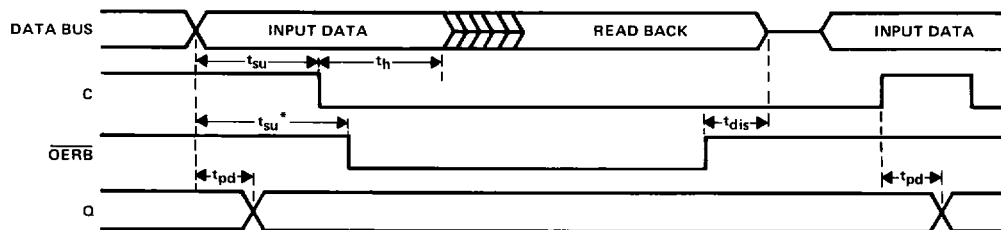


Pin numbers shown are for DW, JT, and NT packages.

SN54ALS666, SN54ALS667, SN74ALS666, SN74ALS667

8-BIT D-TYPE TRANSPARENT READ-BACK LATCHES WITH 3-STATE OUTPUTS

timing diagram



$\overline{CLR} = H, \overline{PRE} = H, \overline{OE1} = L, \overline{OE2} = L$

*This setup time ensures the readback circuit will not create a conflict on the input data bus.

absolute maximum ratings over operating free-air temperature range (unless otherwise noted)

Supply voltage, V_{CC}	7 V
Input voltage (all inputs except D input)	7 V
Voltage applied to D inputs and to disabled 3-state outputs	5.5 V
Operating free-air temperature range: SN54ALS666, SN54ALS667	-55 °C to 125 °C
SN74ALS666, SN74ALS667	0 °C to 70 °C
Storage temperature range	-65 °C to 150 °C

recommended operating conditions

		SN54ALS666 SN54ALS667			SN74ALS666 SN74ALS667			UNIT		
		MIN	NOM	MAX	MIN	NOM	MAX			
V_{CC}	Supply voltage	4.5	5	5.5	4.5	5	5.5	V		
V_{IH}	High-level input voltage	2			2			V		
V_{IL}	Low-level input voltage			0.7			0.8	V		
I_{OH}	High-level output current	Q		-1			-2.6	mA		
		D		-0.4			-0.4			
I_{OL}	Load-level output current	Q		12			24	mA		
		D		4			8			
t_w	Pulse duration	Enable C high	15		10			ns		
		\overline{CLR} low	10		10					
		\overline{PRE} low	10		10					
t_{su}	Setup time	Data before C _i	15		10			ns		
		Data before \overline{OERB}_i	15		10					
t_h	Hold time			10			5	ns		
T_A	Operating free-air temperature			-55		125		0	70	°C

2 ALS and AS Circuits

SN54ALS666, SN54ALS667, SN74ALS666, SN74ALS667
8-BIT D-TYPE TRANSPARENT READ-BACK LATCHES
WITH 3-STATE OUTPUTS

electrical characteristics over recommended operating free-air temperature range (unless otherwise noted)

PARAMETER	TEST CONDITIONS	SN54ALS666 SN54ALS667			SN74ALS666 SN74ALS667			UNIT
		MIN	TYP†	MAX	MIN	TYP†	MAX	
V _{IK}	V _{CC} = 4.5 V, I _I = -18 mA			-1.2			-1.2	V
V _{OH}	All outputs	V _{CC} = 4.5 V to 5.5 V, I _{OH} = -0.4 mA		V _{CC} - 2		V _{CC} - 2		V
	Q or \bar{Q}	V _{CC} = 4.5 V, I _{OH} = -1 mA		2.4	3.3			
		V _{CC} = 4.5 V, I _{OH} = -2.6 mA				2.4	3.2	
V _{OL}	D	V _{CC} = 4.5 V, I _{OL} = 4 mA		0.25	0.4	0.25	0.4	V
		V _{CC} = 4.5 V, I _{OL} = 8 mA				0.35	0.5	
	Q or \bar{Q}	V _{CC} = 4.5 V, I _{OL} = 12 mA		0.25	0.4	0.25	0.4	
		V _{CC} = 4.5 V, I _{OL} = 24 mA				0.35	0.5	
I _{OZH}	Q or \bar{Q}	V _{CC} = 5.5 V, V _O = 2.7 V				20		μA
I _{OZL}	Q or \bar{Q}	V _{CC} = 5.5 V, V _O = 0.4 V				-20		
I _I	D inputs	V _{CC} = 5.5 V, V _I = 5.5 V		0.1		0.1		mA
	All others	V _{CC} = 5.5 V, V _I = 7 V		0.1		0.1		
I _{IH}	D inputs‡	V _{CC} = 5.5 V, V _I = 2.7 V		20		20		μA
	All others			20		20		
I _{IL}	D inputs‡	V _{CC} = 5.5 V, V _I = 0.4 V		-0.1		0.1		mA
	All others			-0.1		0.1		
I _O §	V _{CC} = 5.5 V, V _O = 2.25 V	30		112	30		112	mA
I _{CC}	'ALS666	V _{CC} = 5.5 V, OERB high	Q outputs high	25	50	25	50	mA
			Q outputs low	40	73	40	73	
			Q outputs disabled	30	55	30	55	
	\bar{Q} outputs high		25	50	25	50		
	\bar{Q} outputs low		45	79	45	79		
	\bar{Q} outputs disabled		30	60	30	60		

† All typical values are at V_{CC} = 5 V, T_A = 25 °C.

‡ For I/O ports, the parameters I_{IH} and I_{IL} include the off-state output current.

§ The output conditions have been chosen to produce a current that closely approximates one half the true short-circuit output currents, I_O.

2
ALS and AS Circuits

SN54ALS666, SN54ALS667, SN74ALS666, SN74ALS667

8-BIT D-TYPE TRANSPARENT READ-BACK LATCHES WITH 3-STATE OUTPUTS

ALS666 switching characteristics (see Figure 1)

PARAMETER	FROM (INPUT)	TO (OUTPUT)	V _{CC} = 5 V, C _L = 50 pF, T _A = 25°C			V _{CC} = 4.5 V to 5.5 V, C _L = 50 pF, T _A = MIN to MAX				UNIT
			ALS666			SN54ALS666		SN74ALS666		
			MIN	TYP	MAX	MIN	MAX	MIN	MAX	
t _{PLH}	D	Q	7	10	3	18	3	14	ns	
t _{PHL}			11	15	4	22	4	18		
t _{PLH}	C	Q	12	16	6	25	6	21	ns	
t _{PHL}			16	21	8	32	8	27		
t _{PHL}	CLR	Q	17	22	9	32	9	29	ns	
t _{PHL}		D	17	24	11	36	11	32		
t _{PLH}	PRE	Q	13	18	7	28	7	22	ns	
t _{PHL}		D	17	22	9	35	9	28		
t _{en}	OE _{1B}	D	11	17	4	25	4	21	ns	
t _{dis}			6	11	1	18	1	14		
t _{en}	OE ₁ , OE ₂	Q	11	17	4	25	4	21	ns	
t _{dis}			6	11	1	18	1	14		

ALS667 switching characteristics (see Figure 1)

PARAMETER	FROM (INPUT)	TO (OUTPUT)	V _{CC} = 5 V, C _L = 50 pF, T _A = 25°C			V _{CC} = 4.5 V to 5.5 V, C _L = 50 pF, T _A = MIN to MAX				UNIT
			ALS667			SN54ALS667		SN74ALS667		
			MIN	TYP	MAX	MIN	MAX	MIN	MAX	
t _{PLH}	D	Q	13	17	6	24	6	20	ns	
t _{PHL}			9	13	4	18	4	15		
t _{PLH}	C	Q	18	23	9	35	9	28	ns	
t _{PHL}			14	19	7	27	7	22		
t _{PHL}	CLR	Q	14	19	7	28	7	24	ns	
t _{PHL}		D	17	23	8	30	8	26		
t _{PHL}	PRE	Q	17	23	8	30	8	25	ns	
t _{PLH}		D	18	25	9	35	9	28		
t _{en}	OE _{1B}	D	11	17	4	25	4	21	ns	
t _{dis}			6	11	1	20	1	14		
t _{en}	OE ₁ , OE ₂	Q	11	17	4	25	4	21	ns	
t _{dis}			6	11	1	20	1	14		

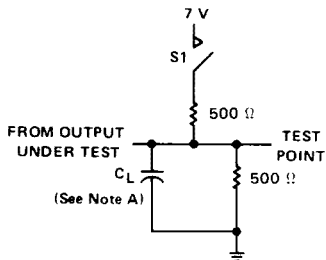
t_{en} t_{PZH} or t_{PZL}

t_{dis} t_{PHZ} or t_{PLZ}

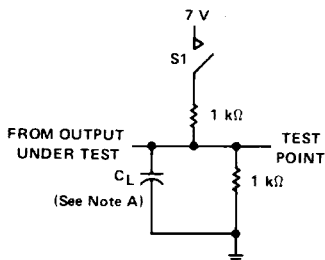
SN54ALS666, SN54ALS667, SN74ALS666, SN74ALS667

8-BIT D-TYPE TRANSPARENT READ-BACK LATCHES WITH 3-STATE OUTPUTS

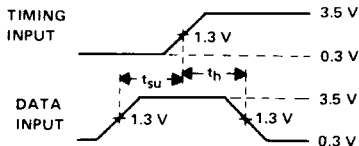
PARAMETER MEASUREMENT INFORMATION



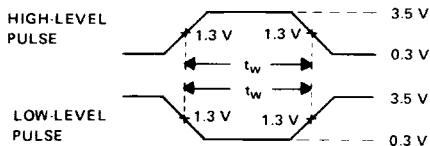
LOAD CIRCUIT FOR
Q OR \bar{Q} OUTPUTS



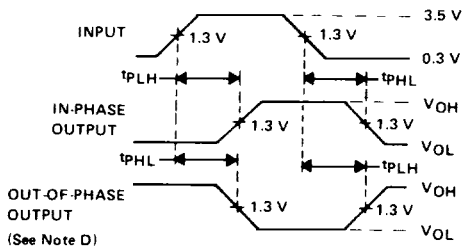
LOAD CIRCUIT FOR D OUTPUTS



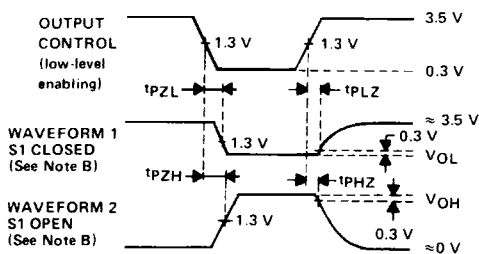
VOLTAGE WAVEFORMS
SETUP AND HOLD TIMES



VOLTAGE WAVEFORMS
PULSE WIDTHS



VOLTAGE WAVEFORMS
PROPAGATION DELAY TIMES



VOLTAGE WAVEFORMS
ENABLE AND DISABLE TIMES, THREE-STATE OUTPUTS

- NOTES: A. C_L includes probe and jig capacitance.
 B. Waveform 1 is for an output with internal conditions such that the output is low except when disabled by the output control. Waveform 2 is for an output with internal conditions such that the output is high except when disabled by the output control.
 C. All input pulses have the following characteristics: $PRR \leq 1$ MHz, $t_r = t_f = 2$ ns, duty cycle = 50%.
 D. When measuring propagation delay times of 3-state outputs, switch S1 is open.

FIGURE 1

2

ALS and AS Circuits