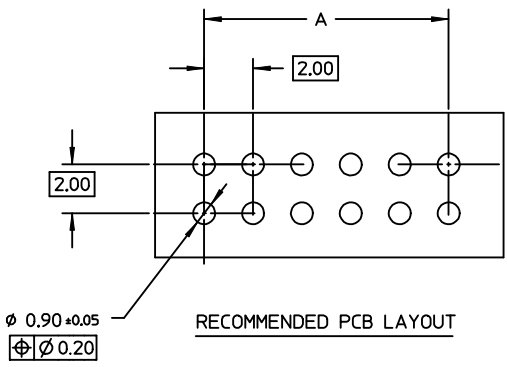
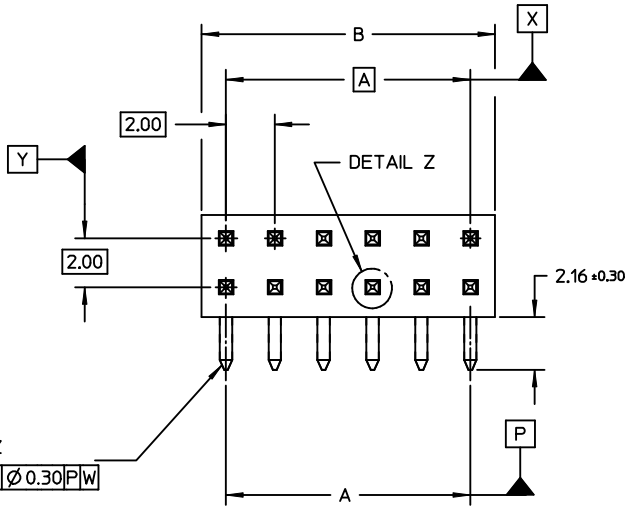
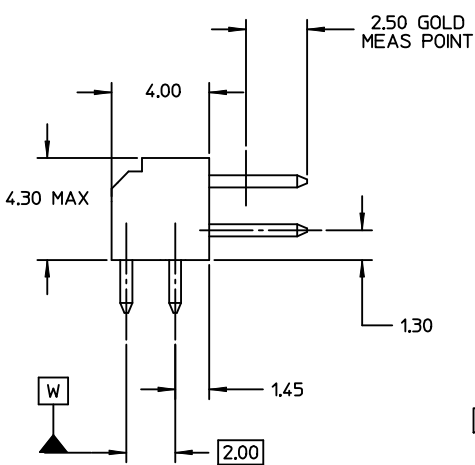
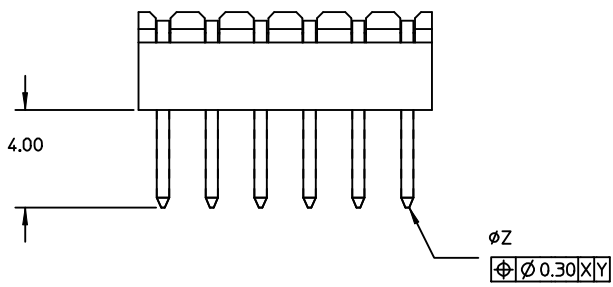
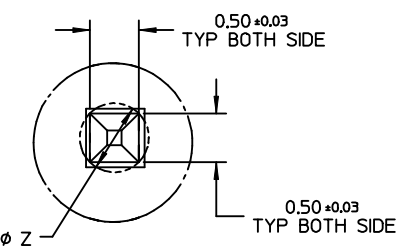


PART NUMBER	CKT SIZE	A	B
87760-0878	08	6.00	8.00
87760-1078	10	8.00	10.00
87760-1278	12	10.00	12.00
87760-1678	16	14.00	16.00
87760-2278	22	20.00	12.00
87760-3078	30	28.00	30.00



LEGEND:
 87760 - * * 7 8
 CKT SIZE (SEE TABLE) PLATING (SEE NOTE 2)

- NOTES:**
- MATERIAL:
 HSG: PCT, 30% GLASS FILLED, UL 94V-0, COLOUR BLACK.
 PIN: 0.50MM SQ PHOSPHOR BRONZE 510
 - PLATING:
 0.38um MIN GOLD IN CONTACT AREA, TIN IN SOLDER TAIL AREA, BOTH OVER NICKEL OVERALL
 - 12 CKT USED FOR ILLUSTRATION ONLY
 - PART TO BE PACKED IN POCKET TRAY.
 - PRODUCT SPEC PS-87761-100 APPLIES.
 - RECOMMENDED PCB BOARD THK 1.30 ± 0.10 MM. MAX.

EC NO: S2004-0195 DRWN: KSEE 2003/12/15 CHKD: KCLING 2003/12/15 APPR: SKTOH 2003/12/19	QUALITY SYMBOLS ▽ - 0 ∇ - 0	GENERAL TOLERANCES (UNLESS SPECIFIED)		SCALE NTS	DESIGN UNITS METRIC	THIRD ANGLE PROJECTION	REVISE ON CAD ONLY		
		4 PLACES ± --- ± --- 3 PLACES ± --- ± --- 2 PLACES ± 0.2 ± --- 1 PLACE ± --- ± ---	DIMENSION STYLE MM ONLY	DRAWN BY KSEE	DATE 2003/10/16	SALES DRAWING MGRID 2MM DUAL ROW R/A HDR. MOLEX INCORPORATED			
		ANGULAR ± 1 ° DRAFT WHERE APPLICABLE MUST REMAIN WITHIN DIMENSIONS	CHECKED BY KCLING	DATE 2003/12/02	MATERIAL NO. SEE TABLE				
		A	REV	THIS DRAWING CONTAINS INFORMATION THAT IS PROPRIETARY TO MOLEX INCORPORATED AND SHOULD NOT BE USED WITHOUT WRITTEN PERMISSION					