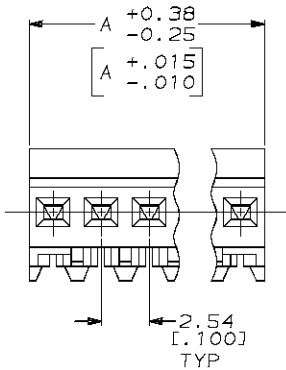
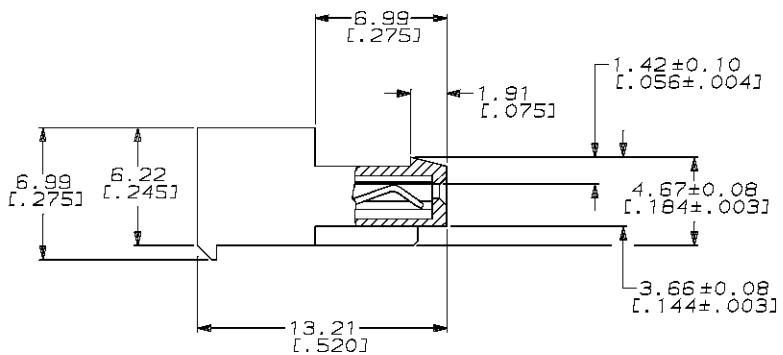
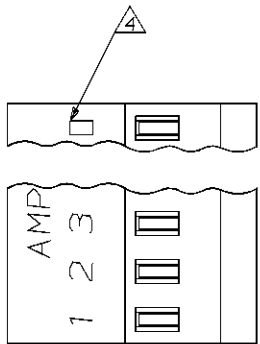


LOC	DIST	P	F	ZONE	LTR	DESCRIPTION	DATE	APPD
CM	54					P REV PER EC 0730-0031-96	3-19-96	JH RS



71.12 [2.800]	28	2-641238-8
68.58 [2.700]	27	2-641238-7
66.04 [2.600]	26	2-641238-6
63.50 [2.500]	25	2-641238-5
60.96 [2.400]	24	2-641238-4
58.42 [2.300]	23	2-641238-3
55.88 [2.200]	22	2-641238-2
53.34 [2.100]	21	2-641238-1
50.80 [2.000]	20	2-641238-0
48.26 [1.900]	19	1-641238-9
45.72 [1.800]	18	1-641238-8
43.18 [1.700]	17	1-641238-7
40.64 [1.600]	16	1-641238-6
38.10 [1.500]	15	1-641238-5
35.56 [1.400]	14	1-641238-4
33.02 [1.300]	13	1-641238-3
30.48 [1.200]	12	1-641238-2
27.94 [1.100]	11	1-641238-1
25.40 [1.000]	10	1-641238-0
22.86 [.900]	9	641238-9
20.32 [.800]	8	641238-8
17.78 [.700]	7	641238-7
15.24 [.600]	6	641238-6
12.70 [.500]	5	641238-5
10.16 [.400]	4	641238-4
7.62 [.300]	3	641238-3
5.08 [.200]	2	641238-2

- ⚠ MATERIAL: CONNECTOR - NYLON UL94V-2 (WHITE).
CONTACTS - 0.30[.012] THICK COPPER ALLOY
(0.00076 [.000030] GOLD)
- 2. CONTACTS ACCEPT 24 AWG WIRE WITH 1.52[.060] MAX INSULATION DIAMETER.
- 3. CONTACTS MUST ACCEPT 0.64±0.03[.025±.001] SQUARE POST AND REMAIN LOCKED IN POSITION.
- ⚠ IDENTIFICATION NUMBER FOR LAST CIRCUIT MAY NOT APPEAR ON ALL ASSEMBLIES.
- 5. DIMENSIONS IN BRACKETS ARE IN INCHES.
- 6. HOUSING FEATURES ARE: CLOSED END WITH LOCKING RAMP.

DO NOT SCALE PRINT. UNLESS SPECIFIED DIMENSIONS IN mm (INCHES) TOLERANCES ON: 2 PLC DEC ± - 3 PLC DEC ± 0.13 (.005) ANGLES ± -		DR B. LEWIS 4-22-91	AMP AMP Incorporated Harrisburg, PA 17105-3608
MATERIAL ⚠		CHK R. SWING 4-22-91	
FINISH ⚠		APPD G. MILLER 4-22-91	NAME MTA-100 CONNECTOR ASSEMBLY, 24 AWG, STANDARD
PRODUCT SPEC 108-1050		APPD G. MILLER 4-22-91	
APPLICATION SPEC 114-1019	SIZE C	CAGE CODE 00779	DRAWING NO 641238
WEIGHT -	SCALE 5:1	SHEET 1 OF 1	

METRIC