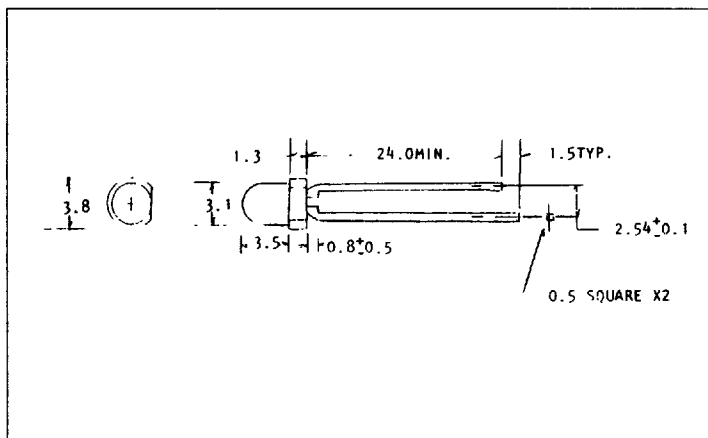


Standard T-1 LED Lamps

T-41-21

FEATURES

- Excellent on/off contrasts
- Wide viewing angle
- Solid state reliability
- Choice of clear or diffused lens
- Available in five colors/materials



MAXIMUM RATINGS (Ta = 25°C)

PART NO.	FORWARD CURRENT (If) (mA)	REVERSE VOLTAGE (VR) (V)	POWER DISSIPATION (PD) (mW)	OPERATING TEMPERATURE (Topr) (°C)	STORAGE TEMPERATURE (Tstg) (°C)
MT230-G	30	5	85	-25~+85	-25~+100
MT230-Y	30	5	85	-25~+85	-25~+100
MT230-O	30	5	85	-25~+85	-25~+100
MT230-HR	30	5	85	-25~+85	-25~+100
MT230-UR	30	4	70	-25~+85	-25~+100
MT240-G	30	5	85	-25~+85	-25~+100
MT240-Y	30	5	85	-25~+85	-25~+100
MT240-O	30	5	85	-25~+85	-25~+100
MT240-HR	30	5	85	-25~+85	-25~+100
MT240-UR	30	4	70	-25~+85	-25~+100

OPTO-ELECTRICAL CHARACTERISTICS (Ta = 25°C)

PART NO.	MATERIAL	LENS COLOR	VIEWING ANGLE	LUMINOUS INTENSITY (mcd)			FORWARD VOLTAGE (V)			REVERSE CURRENT		PEAK WAVELENGTH (nm)
				typ.	min.	typ. @mA	typ.	max. @mA	μA	Vr		
MT230-G	GaP/GaP	Green Clear	60°	1.0	6.0	10	2.1	3.0	20	100	5	567
MT230-Y	GaAsP/GaP	Yellow Clear	60°	.5	4.0	10	2.1	3.0	20	100	5	585
MT230-O	GaAsP/GaP	Orange Clear	60°	2.5	4.5	10	2.1	3.0	20	100	5	635
MT230-HR	GaAsP/GaP	Red Clear	60°	2.5	4.5	10	2.1	3.0	20	100	5	635
MT230-UR	GaAlAs	Red Clear	60°	5.0	20.0	20	1.7	2.2	20	100	4	660
MT240-G	GaP/GaP	Green Diff	75°	.8	4.0	10	2.1	3.0	20	100	5	567
MT240-Y	GaAsP/GaP	Yellow Diff	75°	.4	2.5	10	2.1	3.0	20	100	5	585
MT240-O	GaAsP/GaP	Orange Diff	75°	1.5	2.5	10	2.1	3.0	20	100	5	635
MT240-HR	GaAsP/GaP	Red Diff	75°	1.5	2.5	10	2.1	3.0	20	100	5	635
MT240-UR	GaAlAs	Red Diff	75°	3.0	10.0	20	1.7	2.2	20	100	4	660



marktech

5 Hemlock Street • Latham, New York • (518) 786-6591 • FAX (518) 786-6599

APPLICATION NOTES

LED LAMP TAPING SPECIFICATIONS

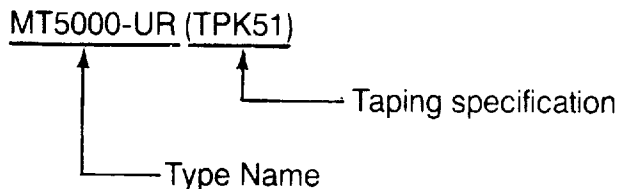
T-91-20

By applying tape with a pitch of 2.54 mm or 5 mm, LED lamps can be mounted by using an automatic inserter. Also, either zigzag-wound or reel packing is available.

[1] Designation

Taping name can be distinguished by the sub-name next to LED type name.

[ex.]



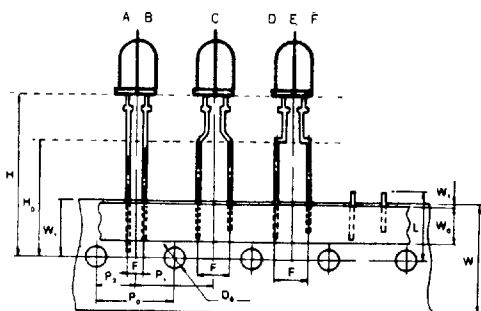
[2] Taping Specification

Taping specification can be distinguished by the table below: taping configuration, dimension, direction of tape feed and package method.

Taping Specification			Package Outline
Reel packing type		Ammo pack	
Anode lead-out	Cathode lead-out		
TPK1	TPKR1	TPK51	A
TPK5	TPKR5	TPK55	B
TPJ1	TRJR1	TPJ51	C
TPJ2	TRJR2	TPJ52	D
TPJ3	TPJR3	TPJ53	E
TPJ6	TPJR6	TPJ56	F

[3] Package Outline and Dimensions

Package Outline



Dimensions

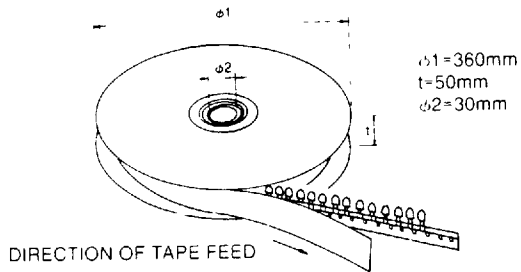
	A	B	C	D	E	F
H	23.35 ± 1.0	17.0 ± 1.0	23.35 ± 1.0	20.5 ± 1.0	22.5 ± 1.0	23.35 ± 1.0
H ₀	—		16.0 ± 0.5			
W	+1 18.0 - 0.5					
W ₀	6.0 ± 0.3					
W ₁	- 0.75 9.0 - 0.5					
W ₂	± 0.5					
P ₀	12.7					
P ₁	12.7 ± 1 (Product Pitch)					
P ₂	6.35 ± 1.3					
F	+ 0.8 2.54 - 0.2		+ 0.8 5.00 - 0.2			
L	11.0 MAX					
D ₀	φ4.0 ± 0.2					



APPLICATION NOTES

[4] Packaging
Reel Packaging

a) Reel type



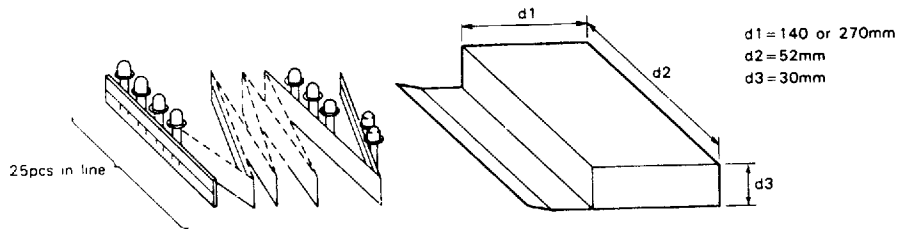
Content

LED Type	Quantity Reel
φ3 Series	2000 pcs
φ5 Series	1000 pcs

T-1 and T- 1 3/4 packages

Lamps with external shapes other than those above are also suppliable. Please consult Marktech

b) Zigzag wound tape



At tape beginning and end there is additional space for 4 pcs or more

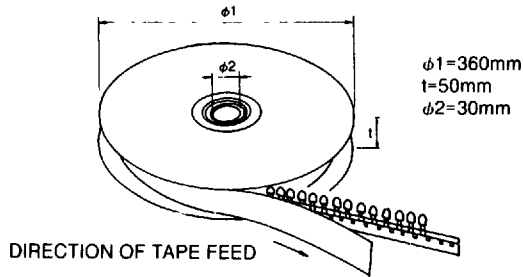
Content

LED Type	Quantity Box
φ3 Series	2000 or 5000 pcs
φ5 Series	1000 or 2000 pcs

APPLICATION NOTES

[4] Packaging Reel Packaging

a) Reel type



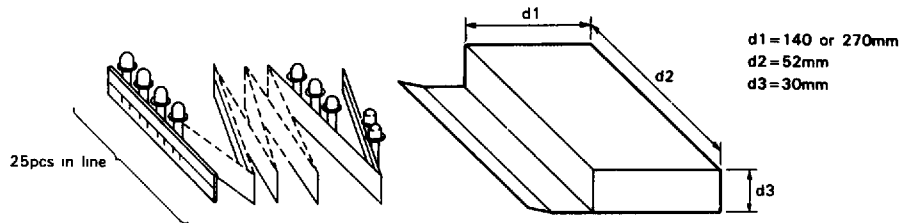
Content

LED Type	Quantity/Reel
$\phi 3$ Series	2000 pcs
$\phi 5$ Series	1000 pcs

T-1 and T- 1 3/4 packages

*Lamps with external shapes other than those above are also available. Please consult Marktech.

b) Zigzag wound tape



At tape beginning and end, there is additional space for 4 pcs or more

Content

LED Type	Quantity/Box
$\phi 3$ Series	2000 or 5000 pcs
$\phi 5$ Series	1000 or 2000 pcs



marktech

5 Hemlock Street • Latham, New York • (518) 786-6591 • FAX (518) 786-6599