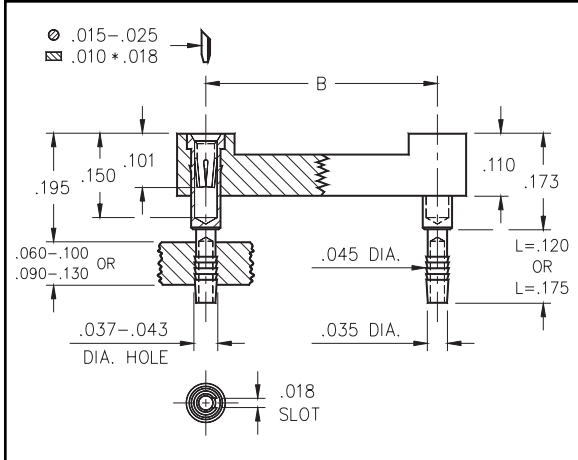




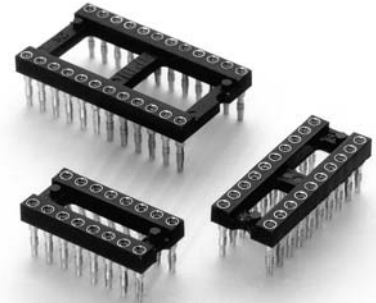
DUAL-IN-LINE SOCKETS

Solderless Press-Fit, Compliant Tail Open Frame

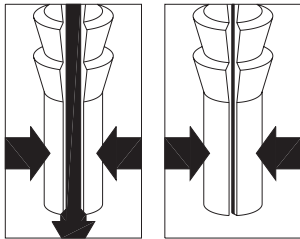
Series 146



- Unique compliant tail pins conform to $.040 \pm .003$ " finished hole diameter without stressing inner layers.
- Two tail lengths are offered for $.060$ "-. 100 " and $.090$ "-. 130 " thick panels.
- Uses M-M# 4612 or 4613 pins with #30 contact rated at 3 amps. See page 131 for pin details.



APPLICATION OF COMPLIANT TAIL PINS



Mill-Max' patented* compliant tail features precision machined pins that are hollow and slotted to conform to a $.040" \pm .003"$ diameter PTH. As the pin is inserted, the slot compresses to fit the PTH, thus avoiding damage (see illustration at left). The pin's tail has fine serrations that form a perfect "gas tight" connection that doesn't require soldering. And since the pin doesn't damage the hole, compliant tail sockets and connectors can be easily replaced.

*Patent No. 4,799,904.

Total number of pins				Quantity per tube	Ordering Information					
	A	B	C		L=.120 (for .060"- .100" thick panel)		L=.175 (for .090"- .130" thick panel)			
6	0.3	0.3	0.4	67	146-XX-306-41-012		146-XX-306-41-013			
8	0.4	0.3	0.4	50	146-XX-308-41-012		146-XX-308-41-013			
14	0.7	0.3	0.4	28	146-XX-314-41-012		146-XX-314-41-013			
16	0.8	0.3	0.4	25	146-XX-316-41-012		146-XX-316-41-013			
18	0.9	0.3	0.4	22	146-XX-318-41-012		146-XX-318-41-013			
20	1.0	0.3	0.4	20	146-XX-320-41-012		146-XX-320-41-013			
24	1.2	0.3	0.4	16	146-XX-324-41-012		146-XX-324-41-013			
22	1.1	0.4	0.5	18	146-XX-422-41-012		146-XX-422-41-013			
24	1.2	0.6	0.7	16	146-XX-624-41-012		146-XX-624-41-013			
28	1.4	0.6	0.7	14	146-XX-628-41-012		146-XX-628-41-013			
32	1.6	0.6	0.7	12	146-XX-632-41-012		146-XX-632-41-013			
40	2.0	0.6	0.7	10	146-XX-640-41-012		146-XX-640-41-013			
					SPECIFY PLATING CODE XX=			93	99	
					Sleeve (Pin)			200 μ " Sn/Pb	200 μ " Sn/Pb	
					Contact (Clip)			30 μ " Au	200 μ " Sn/Pb	