

.079" (2.00mm) 2002 SERIES CRIMP TERMINAL HOUSING

SPECIFICATION

- * Current Rating:
2 A
- * Withstanding Voltage:
800 VAC (1 min.)
- * Insulation Resistance:
1000 MΩ min.
- * Contact Resistance:
20 mΩ max.
- * Operating Temperature:
-40°C to +85°C

MATERIAL

- * Terminal: Phosphor Bronze,
Tin Plate
- * Housing: NYLON 66
- * Wafer: Brass, 0.5mm Square
Pin, Tin plate

ORDER INFORMATION

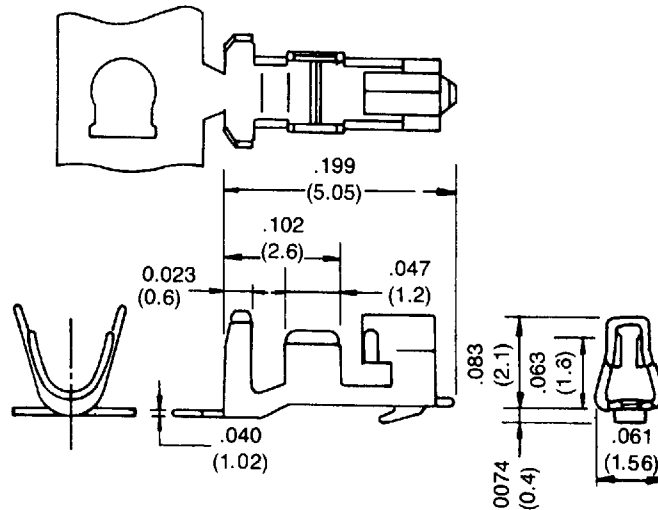
Housing
H2002 -- XX
|
No. of Contact
2~15

Terminal
T2002

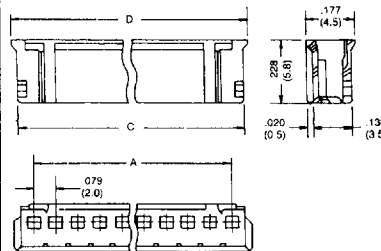
Wafer
P2002 -- X -- XX
|
Style
1: Straight
|
No. of Contact
2~15

Specifications are subject to change without notice

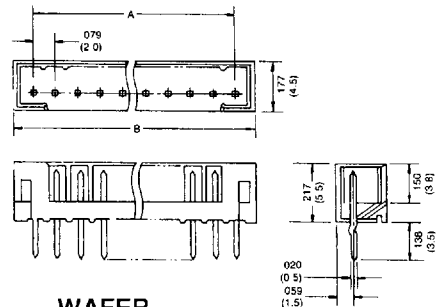
TERMINAL



HOUSING



WAFER



HOUSING

POS	C	D
2	4.5	5.6
3	6.5	7.6
4	8.5	9.6
5	10.5	11.6
6	12.5	13.6
7	14.5	15.6
8	16.5	17.6
9	18.5	19.6
10	20.5	21.6
11	22.5	23.6
12	24.5	25.6
13	26.5	27.6
14	28.5	29.6
15	30.5	31.6

WAFER

POS	A	B
2	2.0	6.0
3	4.0	8.0
4	6.0	10.0
5	8.0	12.0
6	10.0	14.0
7	12.0	16.0
8	14.0	18.0
9	16.0	20.0
10	18.0	22.0
11	20.0	24.0
12	22.0	26.0
13	24.0	28.0
14	26.0	30.0
15	28.0	32.0