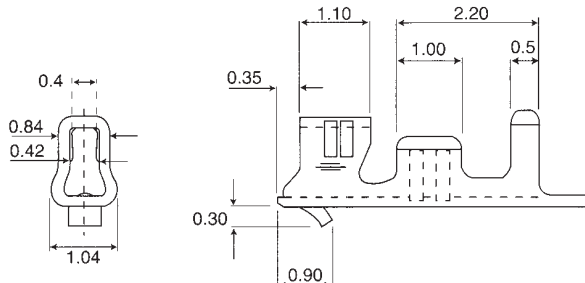
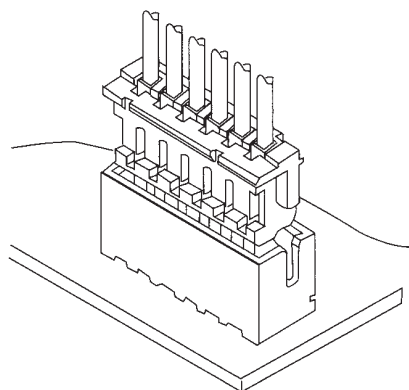


150G1 CONNECTOR SYSTEM

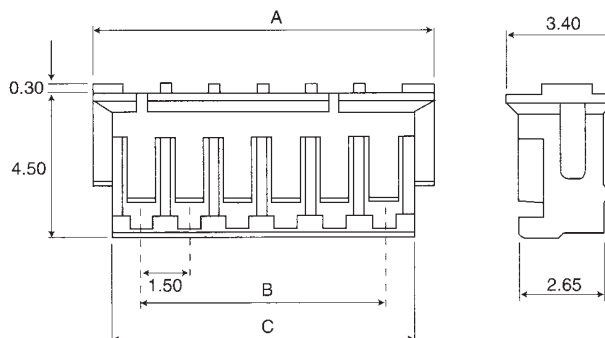
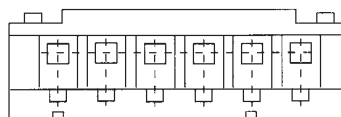
.059" (1.5mm) pitch wire-to-board type



PART NO.	WIRE RANGE		MATERIAL/	THICKNESS	INSULATION	REEL
	AWG#	mm ²	FINISH	mm	O.D.(mm)	PCS
150G1-TP	26-30	0.1-0.05	PHOS/TIN	0.20	1.1-0.9	15.000

150G1-H SERIES HOUSING

MATERIAL : NYLON 66 UL 94V-0
 ACCEPT 150G1-TP TERMINAL
 CURRENT RATING : 1A AC,DC
 VOLTAGE RATING : 50V AC,DC
 CONTACT RESISTANCE : 30m δ MAX
 INSULATION RESISTANCE : 500M δ MIN
 WITHSTANDING VOLTAGE : 500V AC/MINUTE
 TEMPERATURE RANGE : -25°C TO +85°C



POLES	PART NO.	DIMENSIONS (mm)			POLES	PART NO.	DIMENSIONS (mm)		
		A	B	C			A	B	C
2	150G1-H02	4.5	1.5	3.3	9	150G1-H09	15.0	12.0	10.00
3	150G1-H03	6.0	3.0	4.8	10	150G1-H10	16.5	13.5	11.25
4	150G1-H04	7.5	4.5	6.3	11	150G1-H11	18.0	15.0	12.50
5	150G1-H05	9.0	6.0	7.8	12	150G1-H12	19.5	16.5	13.75
6	150G1-H06	10.5	7.5	9.3	13	150G1-H13	21.0	18.0	15.00
7	150G1-H07	12.0	9.0	10.8	14	150G1-H14	22.5	19.5	16.50
8	150G1-H08	13.5	10.5	12.3	15	150G1-H15	24.0	21.0	18.00

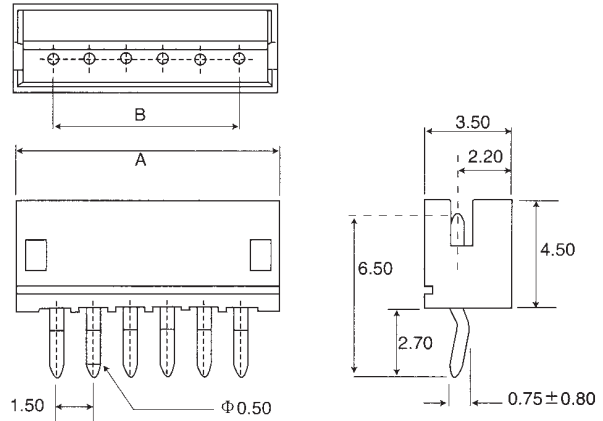
150G1 CONNECTOR SYSTEM

.059" (1.5mm) pitch wire-to-board type



150G1-V SERIES HEADER

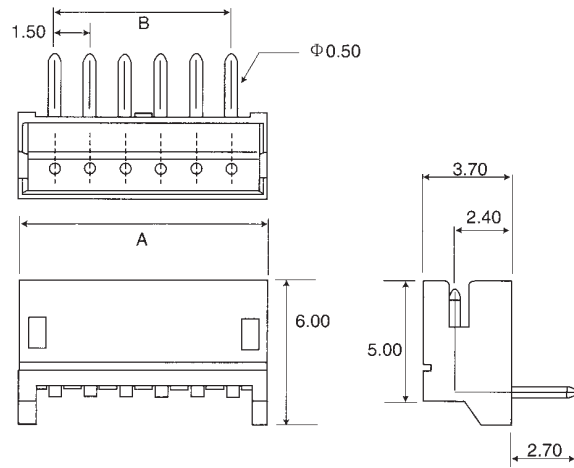
MATERIAL : NYLON 66 UL 94V-0
 PIN BRASS TIN-PLATED
 MATE WITH 150G1-H SERIES HOUSING
 CURRENT RATING : 1A AC, DC
 VOLTAGE RATING : 50V AC, DC
 CONTACT RESISTANCE : 30m Ω MAX
 INSULATION RESISTANCE : 500M Ω MIN
 WITHSTANDING VOLTAGE : 500V AC/MINUTE
 TEMPERATURE RANGE : -25°C TO +85°C
 ROUND PIN SIZE : 0.5 MM DIA
 PC BOARD HOLE : 0.7 MM DIA
 PC BOARD THICKNESS : 0.6 TO 1.2MM



POLES	PART NO.	DIMENSIONS (mm)		POLES	PART NO.	DIMENSIONS (mm)	
		A	B			A	B
2	150G1-V02	4.5	1.5	9	150G1-V09	15.0	12.0
3	150G1-V03	6.0	3.0	10	150G1-V10	16.5	13.5
4	150G1-V04	7.5	4.5	11	150G1-V11	18.0	15.0
5	150G1-V05	9.0	6.0	12	150G1-V12	19.5	16.5
6	150G1-V06	10.5	7.5	13	150G1-V13	21.0	18.0
7	150G1-V07	12.0	9.0	14	150G1-V14	22.5	19.5
8	150G1-V08	13.5	10.5	15	150G1-V15	24.0	21.0

150G1-R SERIES HEADER

MATERIAL : NYLON 66 UL 94V-0
 PIN BRASS TIN-PLATED
 MATE WITH 150G1-H SERIES HOUSING
 CURRENT RATING : 1A AC, DC
 VOLTAGE RATING : 50V AC, DC
 CONTACT RESISTANCE : 30m Ω MAX
 INSULATION RESISTANCE : 500M Ω MIN
 WITHSTANDING VOLTAGE : 500V AC/MINUTE
 TEMPERATURE RANGE : -25°C TO +85°C
 ROUND PIN SIZE : 0.5 MM DIA
 PC BOARD HOLE : 0.7 MM DIA
 PC BOARD THICKNESS : 0.6 TO 1.2MM



POLES	PART NO.	DIMENSIONS (mm)		POLES	PART NO.	DIMENSIONS (mm)	
		A	B			A	B
2	150G1-R02	4.5	1.5	9	150G1-R09	15.0	12.0
3	150G1-R03	6.0	3.0	10	150G1-R10	16.5	13.5
4	150G1-R04	7.5	4.5	11	150G1-R11	18.0	15.0
5	150G1-R05	9.0	6.0	12	150G1-R12	19.5	16.5
6	150G1-R06	10.5	7.5	13	150G1-R13	21.0	18.0
7	150G1-R07	12.0	9.0	14	150G1-R14	22.5	19.5
8	150G1-R08	13.5	10.5	15	150G1-R15	24.0	21.0