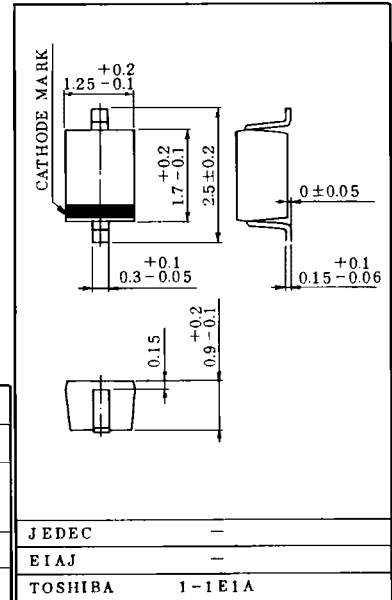


TV VHF UHF TUNER AFC

Unit in mm



MAXIMUM RATINGS (Ta=25°C)

CHARACTERISTIC	SYMBOL	RATING	UNIT
Reverse Voltage	V _R	30	V
Peak Reverse Voltage	V _{RM}	35 (R _L =10kΩ)	V
Junction Temperature	T _j	125	°C
Storage Temperature Range	T _{stg}	-55~125	°C

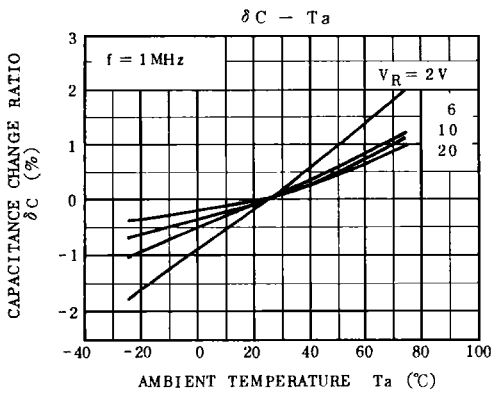
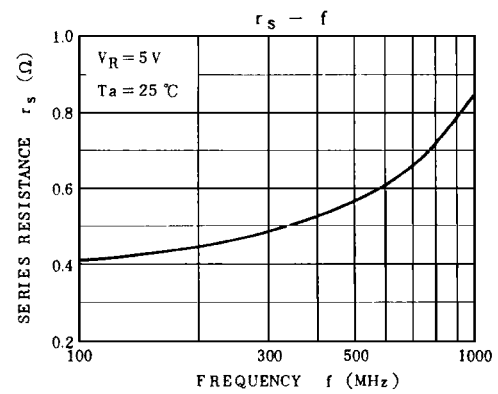
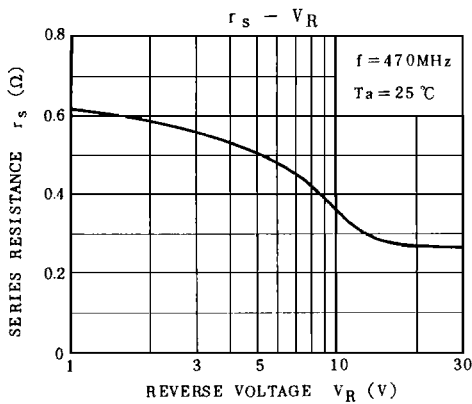
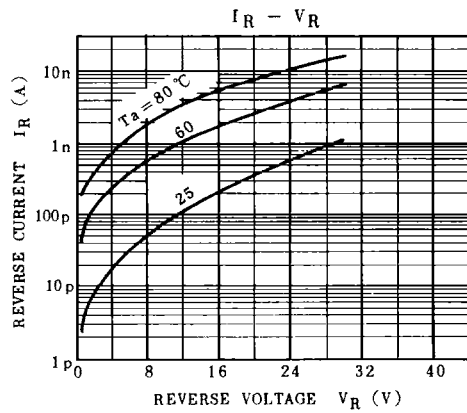
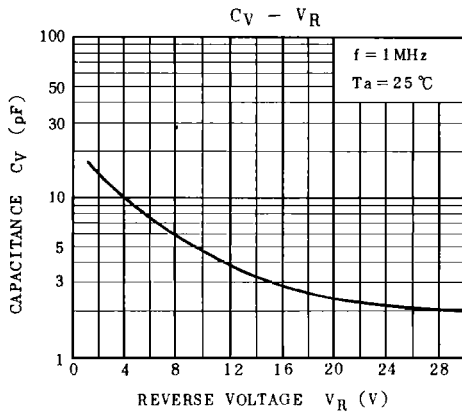
Weight : 0.004g

ELECTRICAL CHARACTERISTICS (Ta=25°C)

CHARACTERISTIC	SYMBOL	TEST CONDITION	MIN.	TYP.	MAX.	UNIT
Reverse Voltage	V _R	I _R =1μA	30	-	-	V
Reverse Current	I _R	V _R =28V	-	-	10	nA
Capacitance	C _{2V}	V _R =2V, f=1MHz	10.5	-	16	pF
Capacitance	C _{10V}	V _R =10V, f=1MHz	3.3	-	5.7	pF
Capacitance Ratio	C _{2V} /C _{10V}	-	2.5	-	3.4	-
Series Resistance	r _s	V _R =5V, f=470MHz	-	0.55	1.2	Ω

Marking





NOTE: $\delta C(\%) = \frac{C(T_a) - C(25)}{C(25)} \times 100$