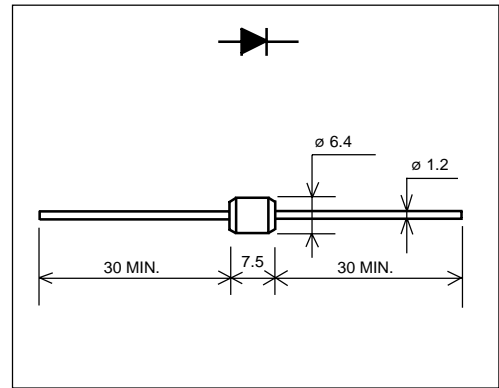


# ERD37 (1.5A)

( 800 to 1000V / 1.5A )

## FAST RECOVERY DIODE

### ■ Outline drawings, mm



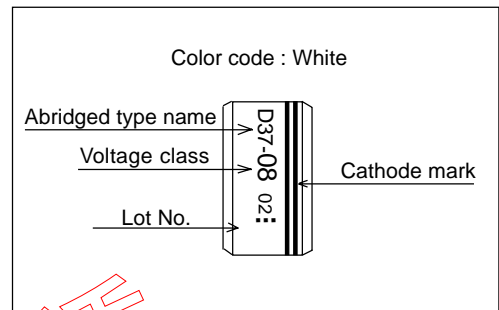
### ■ Features

- High voltage by mesa design
- High reliability

### ■ Applications

- High speed switching

### ■ Marking



### ■ Maximum ratings and characteristics

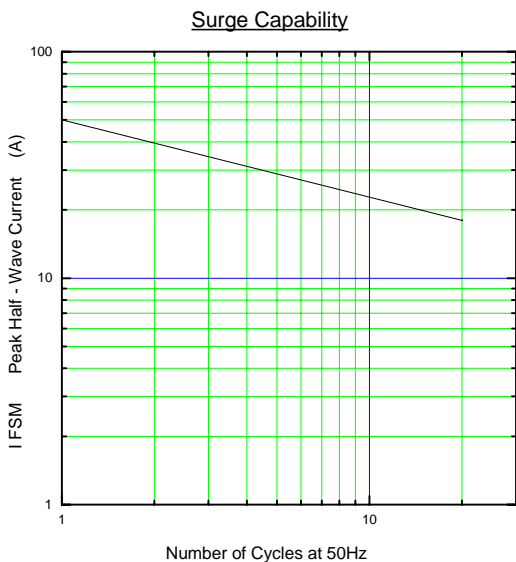
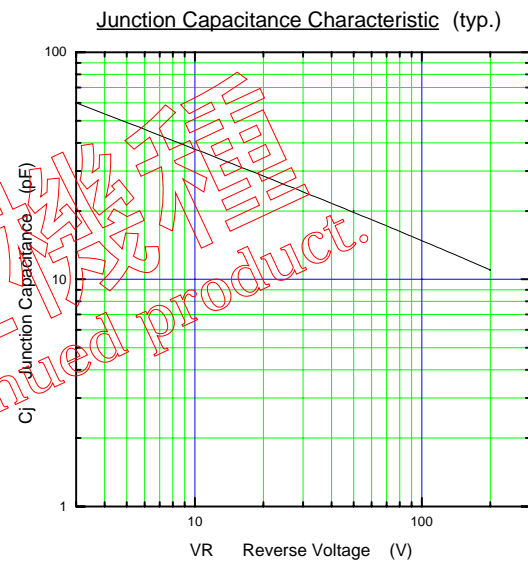
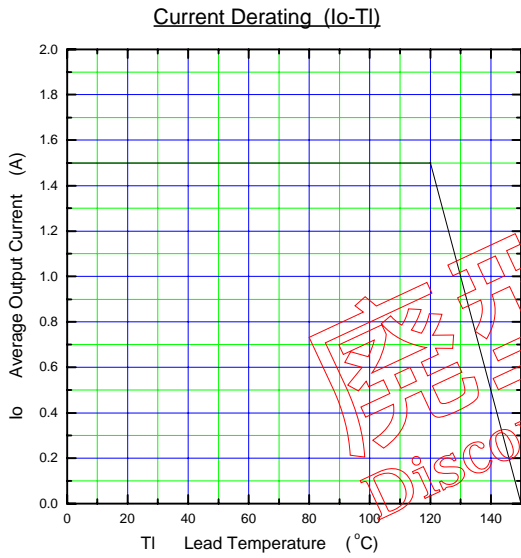
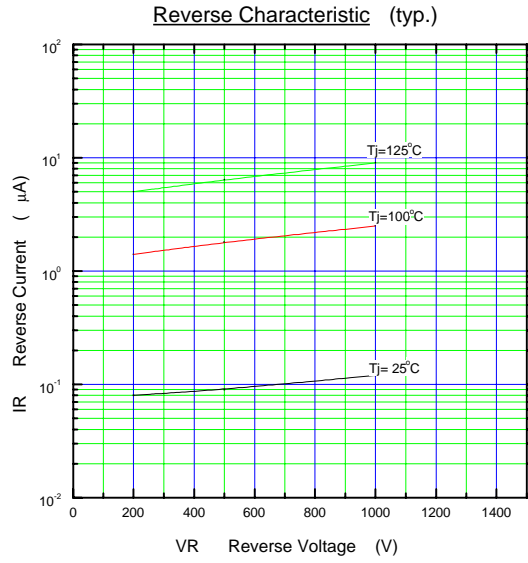
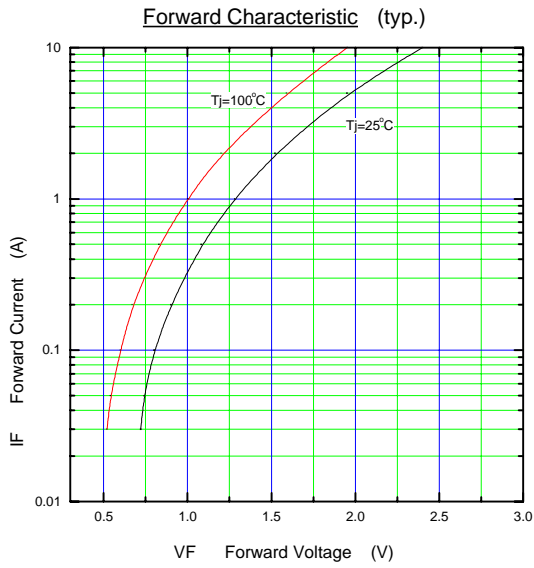
- Absolute maximum ratings

Item	Symbol	Conditions	Rating		Unit
			-08	-10	
Repetitive peak reverse voltage	$V_{RRM}$		800	1000	V
Average forward current	$I_{F(AV)}$	Resistive load ( $T_j=120^\circ\text{C}$ )	1.5		A
Surge current	$I_{FSM}$	Sine wave 10ms	50		A
Operating junction temperature	$T_j$		-40 to +150		$^\circ\text{C}$
Storage temperature	$T_{stg}$		-40 to +150		$^\circ\text{C}$

- Electrical characteristics ( $T_a=25^\circ\text{C}$  Unless otherwise specified)

Item	Symbol	Conditions	Max.	Unit
Forward voltage drop	$V_{FM}$	$I_{FM}=1.5\text{A}$	3.0	V
Reverse current	$I_{RRM}$	$V_R=V_{RRM}$	10	$\mu\text{A}$
Reverse recovery time	$t_{rr}$	$I_F=0.1\text{A}, I_R=0.1\text{A}$	0.3	$\mu\text{s}$

■ Characteristics



廢刊 檳城  
Discontinued product.