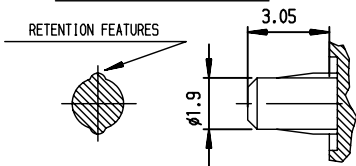
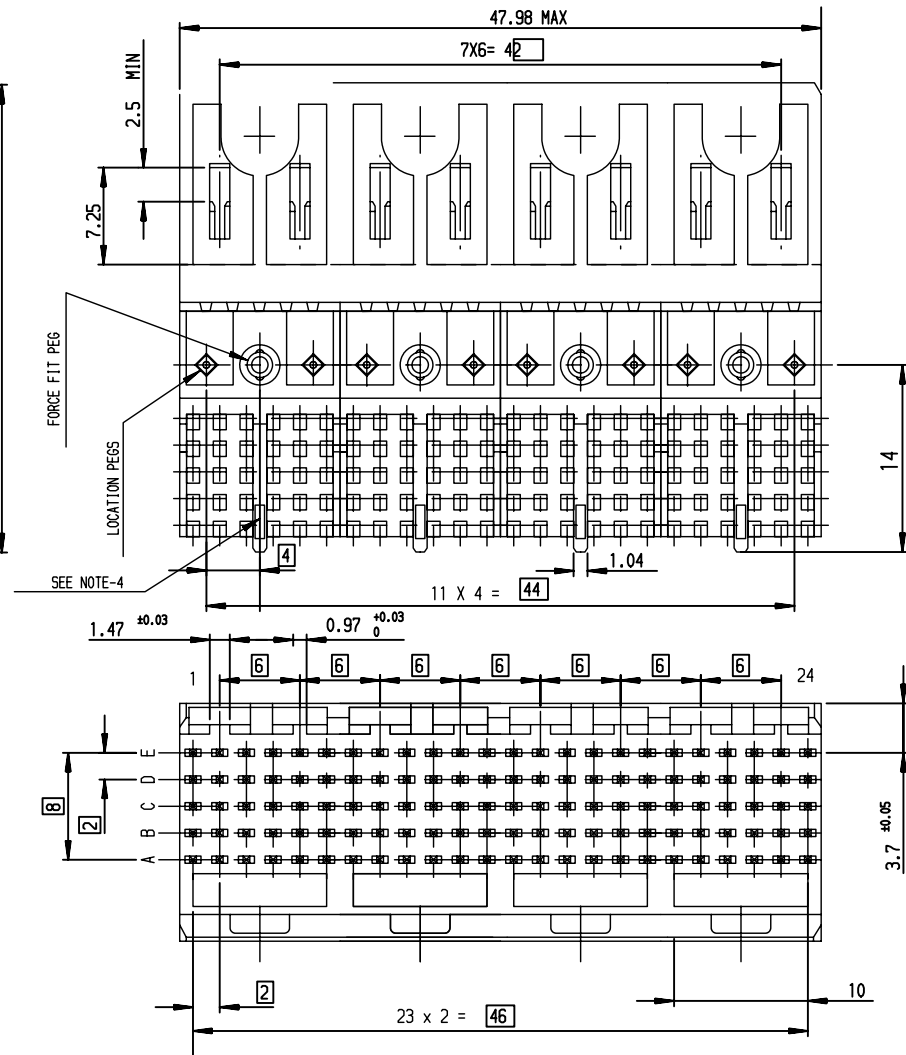
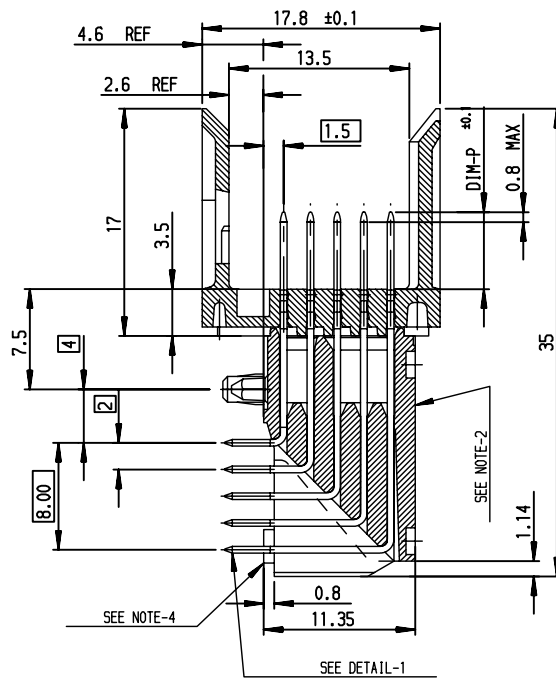
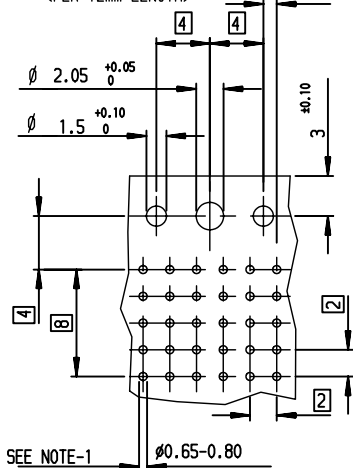


DETAIL OF FORCE-FIT PEGS



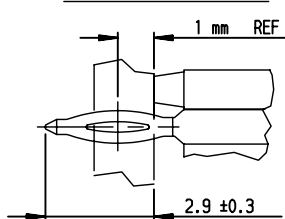
LAYOUT FOR P.C.B
(PER 12mm LENGTH)



TIN LEAD PART NUMBER

Part Number: HM1L53xDP000Hz / 040H0									
MATING LENGTH DIM-P / REPLACE 'x' BY:					PERFORM LEVEL REPLACE 'z' BY:				
	ROW-A	ROW-B	ROW-C	ROW-D	ROW-E	000H6	= PL1 OF IEC SPEC		
A =	5.00	5.00	5.00	5.00	5.00	000H4	= PL3 OF IEC SPEC		
L =	5.75	5.75	5.75	5.75	5.75	040H0	= BELLCORE 4 GAZES SPEC		
D =	6.50	6.50	6.50	6.50	6.50				
B =	6.50	5.00	5.00	5.00	5.00				
C =	6.50	5.75	5.75	6.50	5.75				
M =	7.25	7.25	7.25	7.25	7.25				
N =	8.00	8.00	8.00	8.00	8.00				

DETAIL-1: PRESS-FIT PIN



LEAD FREE PART NUMBER

Part Number: HM1L53xDP000HzLF / 040H0LF									
MATING LENGTH DIM-P / REPLACE 'x' BY:					PERFORM LEVEL REPLACE 'z' BY:				
	ROW-A	ROW-B	ROW-C	ROW-D	ROW-E	000H6	= PL1 OF IEC SPEC		
A =	5.00	5.00	5.00	5.00	5.00	000H4	= PL3 OF IEC SPEC		
L =	5.75	5.75	5.75	5.75	5.75	040H0	= BELLCORE 4 GAZES SPEC		
D =	6.50	6.50	6.50	6.50	6.50				
B =	6.50	5.00	5.00	5.00	5.00				
C =	6.50	5.75	5.75	6.50	5.75				
M =	7.25	7.25	7.25	7.25	7.25				
N =	8.00	8.00	8.00	8.00	8.00				

GENERAL CHARACTERISTICS AND ROHS INFORMATIONS:

SEE DRAWING C-8626-000P

NOTE-2: FLAT ROCK INSERTION TOOLING, ON ALL THIS SURFACE

NOTE-3: EYE OF THE NEEDLE PRESS FIT PIN TYPE

NOTE-4: REAR CENTRAL SUPPORT FOR BETTER ASSY ON PCB

(*) - ACCORDING TO BELLCORE SPECIFICATION (4 GAZES)

REDUCED SCALE SHEET

European Views

www.fciconnect.com		surface ISO 1302	tolerance std ISO 406 ISO 1101	projection mm	size A3	Scale 2.5
Dr CHAMPION 1997/10/28		TOLERANCES UNLESS OTHERWISE SPECIFIED		ANGULAR LINEAR	0.X ±0.1 0.XX ±0.1 0.XXX ±0.1	ECN LS06-0095
Eng LENOIR 1997/10/28		Product family METRAL				
Chr LEGARE 1997/10/28		Product family METRAL		Title METRAL RA HEADER 5 ROW STANDARD PRESS-FIT 120 WAY		Rev. H
Appr LEGARE 1997/10/28		Product family METRAL		dwg no C-8626-0237		CUSTOMER sheet 1 of 1

rev	ecn no	dr	date
F	-	GOI	2004/10/14
G	LS05-004	MLE	2005/02/17
H	LS06-0095	LGO	2006/07/10
-	-	-	-
-	-	-	-
-	-	-	-
-	-	-	-