

**SPECIFICATIONS**

**Mechanical**

Contact Retention Force: 0.50Kg min.

**Electrical**

Voltage Rating: 750V

Current Rating: 1A

Contact Resistance: 45mΩ max.

Dielectrical Withstanding Voltage: 1000V

Insulation Resistance: 1000MΩ min.

**Physical**

Housing: LCP, UL 94-0 rated, Ivory White

Contact: Phosphor Bronze

Plating: See "ORDERING INFORMATION"

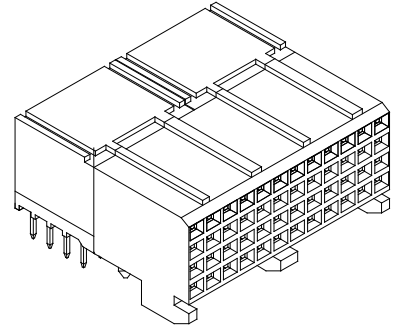
**FUTURE BUS CONNECTOR**

1F Series

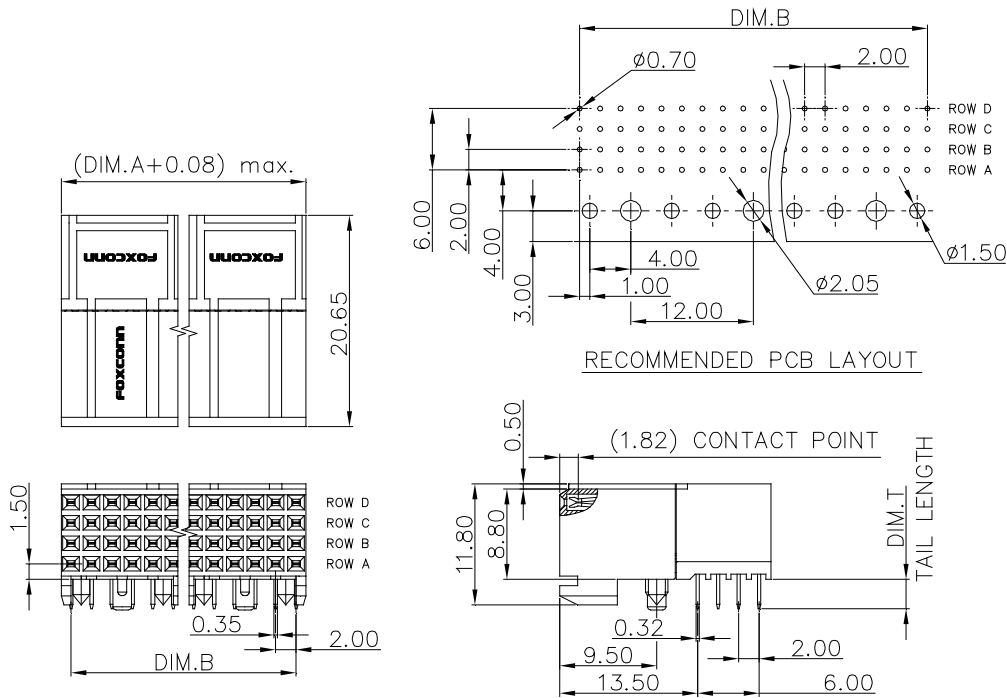
Rec. Solder Type

2.0mm Pitch

4 Rows



**DRAWING**



**ORDERING INFORMATION**

PRODUCT NO.: 1 F 1 2 \* \* \* \* - S \* 0 1 0 \* - \* \*

POS. NO.:

024=024 pos.

048=048 pos.

096=096 pos.

192=192 pos.

Mating Area Plating:

1=GOLD FLASH

3=0.76um(30u")MIN. GOLD PLATING

5=1.27um(50u")MIN. GOLD PLATING

6=0.25um(10u")MIN. GOLD PLATING

A=0.76um(30u")MIN. FPT PLATING,

0.25um(10u")MIN. GOLD INCLUDED

Tail Style:

S=Solder Type

Lead Free Code:

N=None

F=Lead Free

Package Type:

A=Tube

Extension Code:

N,T,L,M

Body Style

10=Standard Type

Tail Length(DIM.T)

1=2.90mm

2=2.73mm

3=3.53mm

1F12024*-S*010*-**	24	11.90	10.00
1F12048*-S*010*-**	48	23.90	22.00
1F12096*-S*010*-**	96	47.90	46.00
1F12192*-S*010*-**	192	95.90	94.00
P/N	POS.	DIM. A	DIM. B