

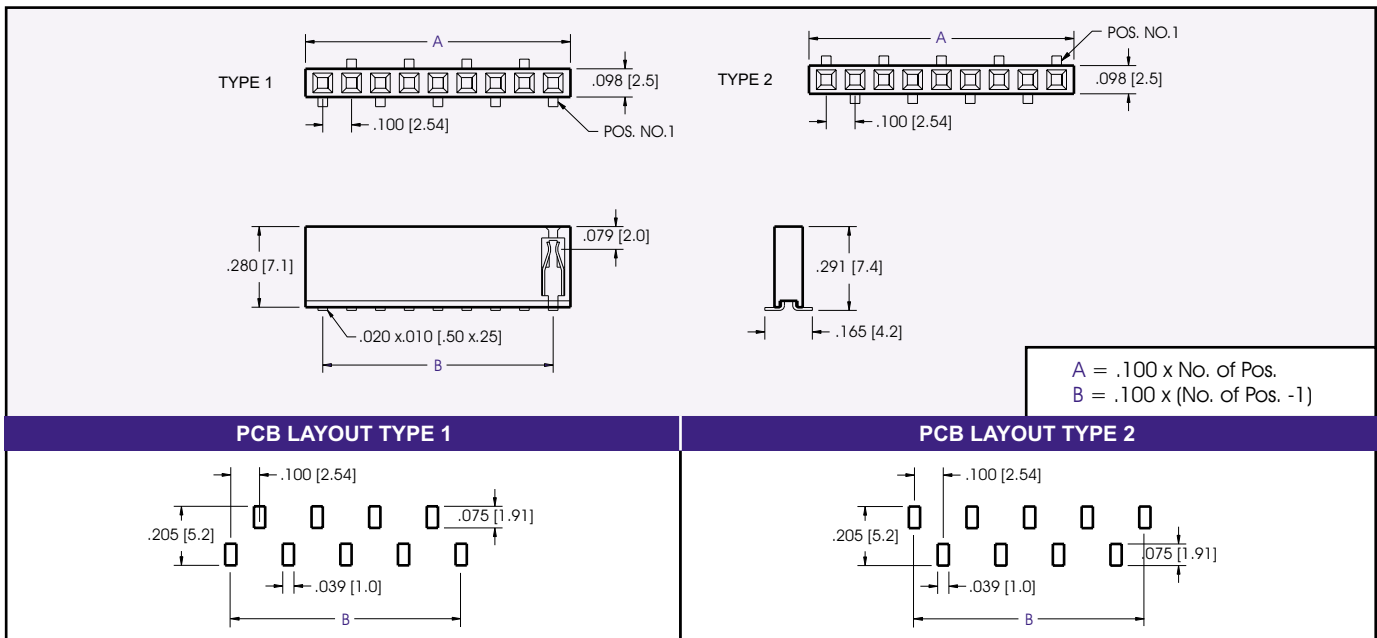
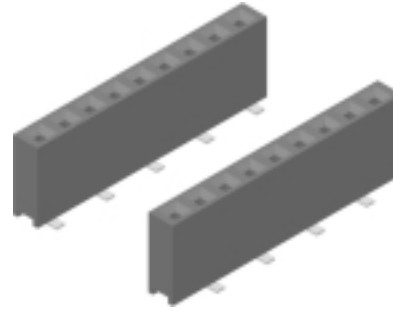


9300S Series Sockets

.100 [2.54] 1 Row SMT Socket

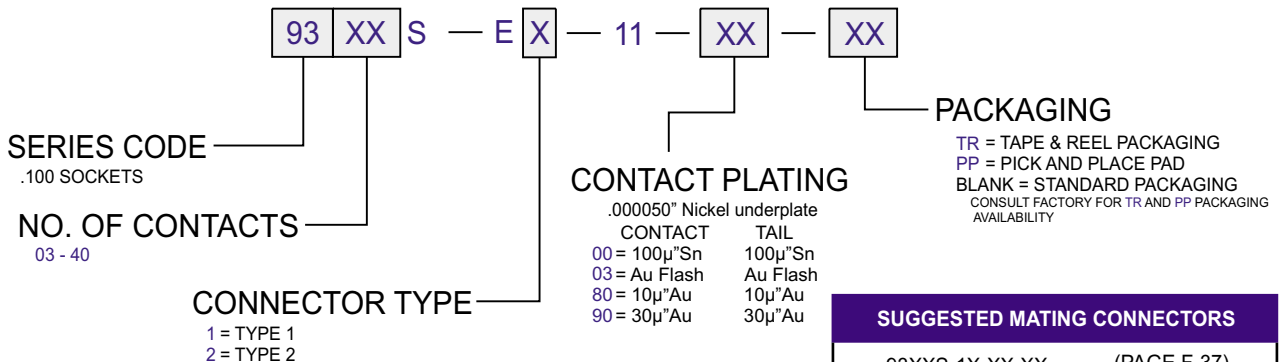
Specifications

Insulator Material: Glass filled polyester, Thermoplastic,
94V-O Nylon-6T, UL Recognized.
Contact Material: Phosphor Bronze
Contact Plating: Gold or Tin over .000050" Ni
(See contact plating options)
Insulation Resistance: 5000 M ohms min.
Contact Resistance: 20 m ohms max.
Dielectric Withstand Voltage: 1000 VAC
Current Rating: 3 AMP
Operating Temperature: -40°C To +105°C
Max Processing Temp.: 230°C for 60 seconds
UL File Numbers: E146967 & E176234



DIMENSIONS ARE IN INCHES & [MM]

PART NUMBERING



SUGGESTED MATING CONNECTORS

93XXS-1X-XX-XX (PAGE F-37)
93XXS-13-XX-XX (PAGE F-39)
93XXS-14-XX-XX-XXXX (PAGE F-41)

CONSULT FACTORY FOR CONNECTORS BUILT TO YOUR SPECIFICATION