

F female Header 2.54mm



RoHS

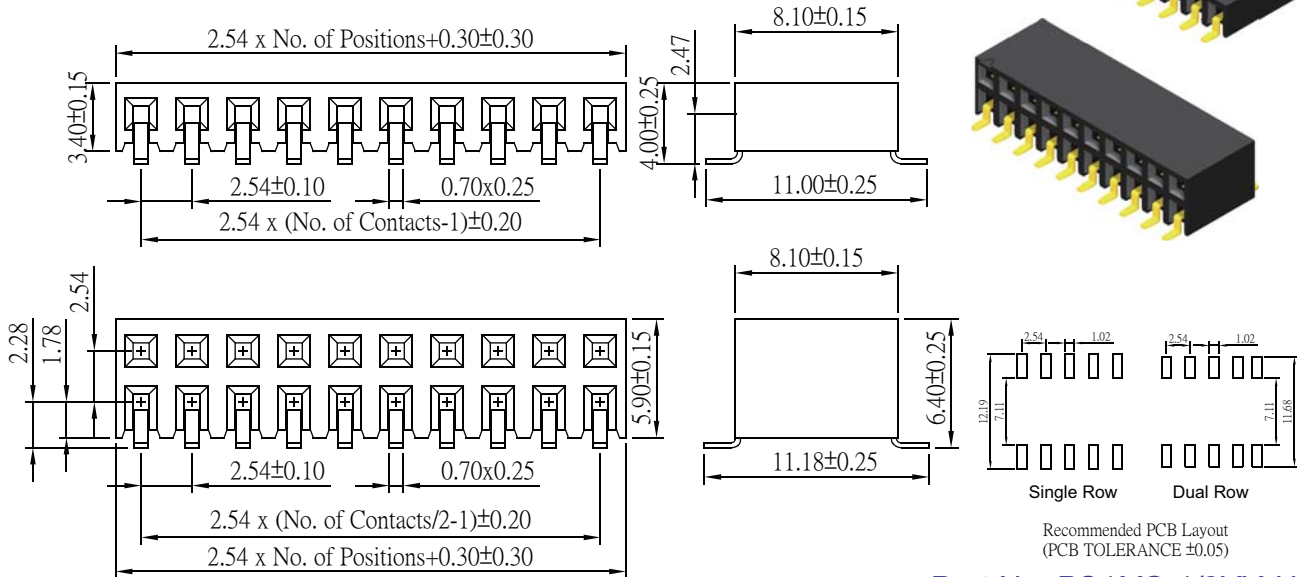
Female Header 2.54mm 1 & 2 Row Side Entry SMT Type

Specifications

Current Rate: 3 AMP
 Insulation Resistance: 1000MΩ Min.
 Contact Resistance: 20mΩ Max.
 Dielectric Voltage: 1000V AC for one minute
 Operation Temperature: -40°C to +105°C

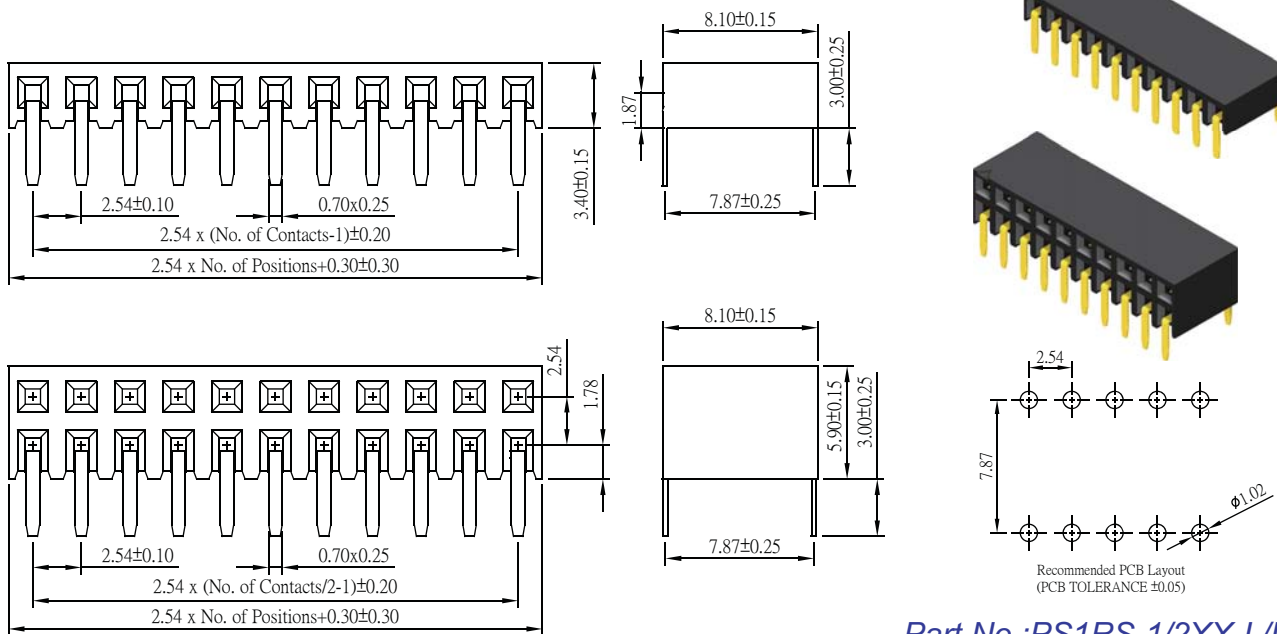
Material

Insulator: Polyester, UL 94V-0
 ©Standard: PBT or Nylon 6T
 Terminal: Copper Alloy
 Plating: Gold Plated



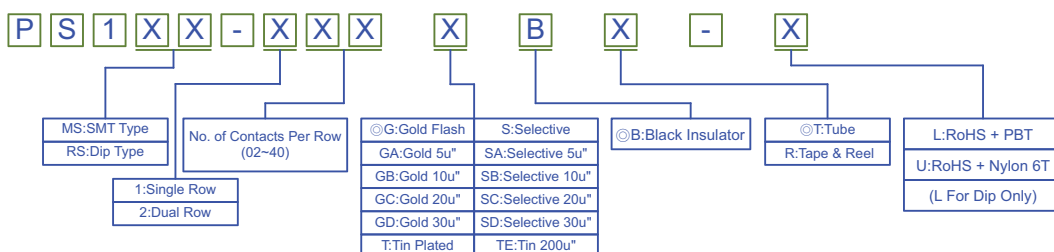
Part No.: PS1MS-1/2XX-U

Female Header 2.54mm 1 & 2 Row Side Entry Dip Type



Part No.: PS1RS-1/2XX-L/U

ORDER INFORMATION



©: Standard Recommended