

Single Stage Dimmable Controller for LED Lamps

Features

- Reduced Off-chip BOM Compared to CS1615/16
- Best-in-class Dimmer Compatibility
 - Leading-edge (TRIAC) Dimmers
 - Trailing-edge Dimmers
 - Digital Dimmers (Dimmers with an Integrated Power Supply)
- Flicker-free Dimming
- 0% to 100% Smooth Dimming
- Optimized for Output Power <11W
- Primary-side Regulation (PSR)
- Active Power Factor Correction (PFC)
 - >0.9 Power Factor
- Constant-current Output
 - Flyback
 - Buck-boost
- Tight LED Current Regulation: Better than $\pm 5\%$
- Low THD: Less Than 20%
- Up to 90% Efficiency
- Fast Startup
- Meets NEMA SSL 6 Dimming Standard
 - Closely Matches Incandescent S-curve
- Protection Features
 - Output Open Circuit
 - Output Short Circuit
 - Overtemperature

Overview

The CS1615A and CS1616A are high-performance single stage dimmable offline AC/DC controllers. The CS1615A/16A requires fewer off-chip components than the CS1615/16 resulting in a lower total BOM cost. The CS1615A/16A provides unmatched single- and multi-lamp dimmer-compatibility performance for dimmable LED applications. The CS1615A is designed for 120VAC line voltage applications, and the CS1616A is designed for 230VAC line voltage applications.

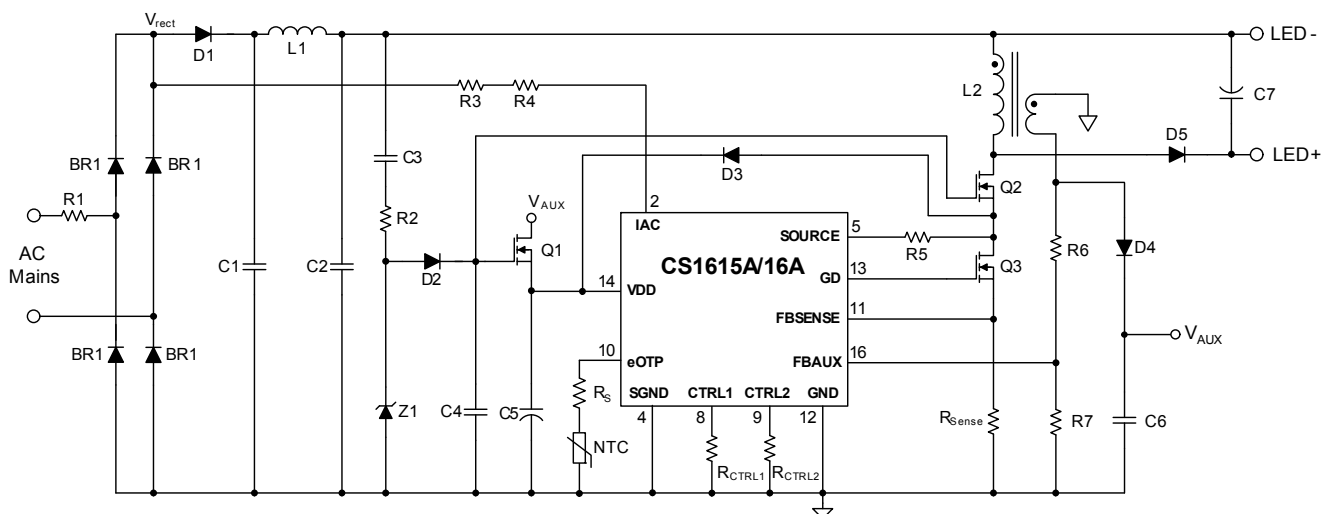
Across a broad range of dimmers, the CS1615A/16A provides smooth flicker free dimming, and consistently dims to nearly zero light output, which closely matches the dimming performance of incandescent light bulbs. Cirrus Logic's patent pending approach to dimmer compatibility provides full functionality on a wide range of dimmers, including leading-edge, trailing-edge, and digital dimmers.

Applications

- Retro-fit LED Lamps
- External LED Drivers
- LED Luminaires
- Commercial Lighting

Ordering Information

See [page 14](#).



Preliminary Product Information | This document contains information for a product under development. Cirrus Logic reserves the right to modify this product without notice.

2. PIN DESCRIPTION

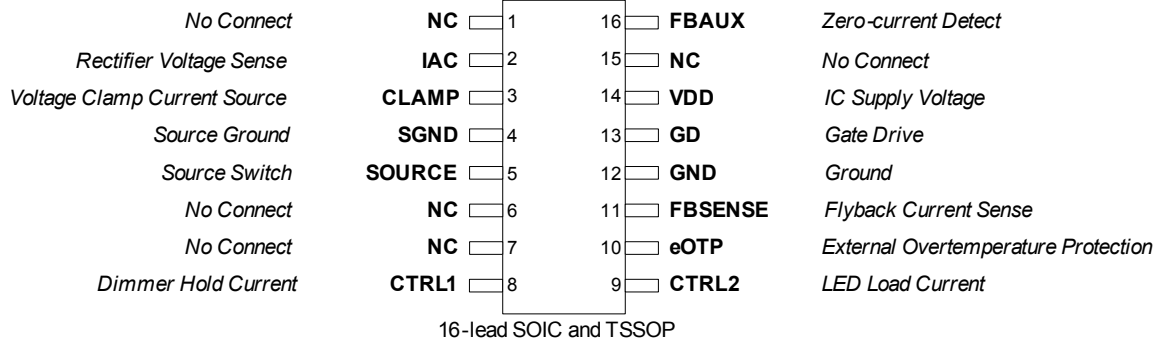


Figure 2. CS1615A/16A Pin Assignments

Pin Name	Pin #	I/O	Description
NC	1	IN	No Connect — Leave pin unconnected.
IAC	2	IN	Rectifier Voltage Sense — A current proportional to the rectified line voltage is fed into this pin. The current is measured with an A/D converter.
CLAMP	3	OUT	Voltage Clamp Current Source — Connect to a voltage clamp circuit on the source-switched dimmer-compatibility circuit.
SGND	4	PWR	Source Ground — Common reference current return for the SOURCE pin.
SOURCE	5	IN	Source Switch — Connected to the source of the source-switched external high-voltage FET.
NC	6	IN	No Connect — Connect this pin to VDD using a 47kΩ pull-up resistor.
NC	7	IN	No Connect — Connect this pin to VDD using a 47kΩ pull-up resistor.
CTRL1	8	IN	Dimmer Hold Current — Connect a resistor to this pin to set the minimum input current being pulled by the flyback/buck-boost stage.
CTRL2	9	IN	LED Load Current — Connect a resistor to this pin to set the LED current.
eOTP	10	IN	External Overtemperature Protection — Connect an external NTC thermistor to this pin, allowing the internal A/D converter to sample the change to NTC resistance.
FBSENSE	11	IN	Feedback Current Sense — The current flowing in the power FET is sensed across a resistor. The resulting voltage is applied to this pin and digitized for use by the computational logic to determine the FET's duty cycle.
GND	12	PWR	Ground — Common reference. Current return for both the input signal portion of the IC and the gate driver.
GD	13	OUT	Gate Drive — Gate drive for the power FET.
VDD	14	PWR	IC Supply Voltage — Connect a storage capacitor to this pin to serve as a reservoir for operating current for the device, including the gate drive current to the power transistor.
NC	15	-	No Connect — Leave pin unconnected.
FBAUX	16	IN	Zero-current Detect — Connect to the flyback/buck-boost inductor auxiliary winding for demagnetization current zero-crossing detection.

3. CHARACTERISTICS AND SPECIFICATIONS

3.1 Electrical Characteristics

Typical characteristics conditions:

- $T_A = 25^\circ\text{C}$, $V_{DD} = 12\text{V}$, $\text{GND} = 0\text{V}$
- All voltages are measured with respect to GND.
- Unless otherwise specified, all currents are positive when flowing into the IC.

Minimum/Maximum characteristics conditions:

- $T_J = -40^\circ\text{C}$ to $+125^\circ\text{C}$, $V_{DD} = 11\text{V}$ to 17V , $\text{GND} = 0\text{V}$

Parameter	Condition	Symbol	Min	Typ	Max	Unit
VDD Supply Voltage						
Operating Range	After Turn-on	V_{DD}	11	-	17	V
Turn-on Threshold Voltage	V_{DD} Increasing	$V_{ST(th)}$	-	8.5	-	V
Turn-off Threshold Voltage (UVLO)	V_{DD} Decreasing	$V_{STP(th)}$	-	7.5	-	V
Zener Voltage (Note 1)	$I_{DD} = 20\text{mA}$	V_Z	18.5	-	19.8	V
VDD Supply Current						
Startup Supply Current	$V_{DD} < V_{ST(th)}$	I_{ST}	-	-	200	μA
Operating Supply Current (Note 2)	$C_L = 0.25\text{nF}$, $f_{sw} \leq 70\text{kHz}$		-	4.5	-	mA
Reference						
Reference Current CS1615A CS1616A	$V_{rect} = 200\text{V}$ $V_{rect} = 400\text{V}$	I_{ref}	-	133	-	μA μA
Zero-current Detect						
FBZCD Threshold		$V_{FBZCD(th)}$	-	200	-	mV
FBZCD Blanking		t_{FBZCB}	-	2	-	μs
ZCD Sink Current (Note 3)		I_{ZCD}	-2	-	-	mA
FBAUX Upper Voltage	$I_{ZCD} = 1\text{mA}$		-	$V_{DD} + 0.6$	-	V
Current Sense						
Max Peak Control Threshold		$V_{PK_Max(th)}$	-	1.4	-	V
Leading-edge Blanking		t_{LEB}	-	550	-	ns
Delay to Output			-	-	100	ns
Pulse Width Modulator						
Minimum On Time			-	0.55	-	μs
Maximum On Time			-	12.8	-	μs
Minimum Switching Frequency		$f_{FB(Min)}$	-	6	-	kHz
Maximum Switching Frequency		$f_{FB(Max)}$	-	200	-	kHz
Gate Driver						
Output Source Resistance		Z_{OUT}	-	24	-	Ω
Output Sink Resistance		Z_{OUT}	-	11	-	Ω
Rise Time	$C_L = 0.25\text{nF}$		-	-	30	ns
Fall Time	$C_L = 0.25\text{nF}$		-	-	20	ns

Parameter	Condition	Symbol	Min	Typ	Max	Unit
Flyback/Buck-boost Protections						
Overcurrent Protection (OCP) (Note 4)		$V_{OCP(th)}$	-	1.69	-	V
Overvoltage Protection (OVP) (Note 5)		$V_{OVP(th)}$	-	1.25	-	V
Open Loop Protection (OLP) (Note 4)		$V_{OLP(th)}$	-	200	-	mV
External Overtemperature Protection (eOTP)						
Pull-up Current Source – Maximum		$I_{CONNECT}$	-	80	-	μ A
Conductance Accuracy (Note 6)			-	-	± 5	%
Conductance Offset (Note 6)			-	± 250	-	nS
Current Source Voltage Threshold		$V_{CONNECT(th)}$	-	1.25	-	V
Internal Overtemperature Protection (iOTP)						
Thermal Shutdown Threshold (Note 7)		T_{SD}	-	135	-	$^{\circ}$ C
Thermal Shutdown Hysteresis (Note 7)		$T_{SD(Hy)}$	-	14	-	$^{\circ}$ C

- Notes:
1. The CS1615A/16A has an internal shunt regulator that limits the voltage on the VDD pin. Shunt regulation voltage V_Z is defined in the *VDD Supply Voltage* section on page 4.
 2. For test purposes, load capacitance C_L is connected to pin GD and is equal to 0.25nF.
 3. External circuitry should be designed to ensure that the ZCD current drawn from the internal clamp diode when it is forward biased does not exceed specification.
 4. Protection is implemented using pin FBSENSE. See the *CS1615A/16A Block Diagram* on page 2.
 5. Protection is implemented using pin FBAUX. See the *CS1615A/16A Block Diagram* on page 2.
 6. The conductance is specified in Siemens (S or $1/\Omega$). Each LSB of the internal ADC corresponds to 250nS or one parallel 4M Ω resistor. Full scale corresponds to 256 parallel 4M Ω resistors or 15.625k Ω .
 7. Specifications are guaranteed by design and are characterized and correlated using statistical process methods.

3.2 Thermal Resistance

Symbol	Parameter		SOIC	TSSOP	Unit
θ_{JA}	Junction-to-Ambient Thermal Impedance	2 Layer PCB	119	138	°C/W
		4 Layer PCB	105	103	°C/W
θ_{JC}	Junction-to-Case Thermal Impedance	2 Layer PCB	50	44	°C/W
		4 Layer PCB	44	28	°C/W

3.3 Absolute Maximum Ratings

Characteristics conditions:

All voltages are measured with respect to GND.

Pin	Symbol	Parameter	Value	Unit	
14	V_{DD}	IC Supply Voltage	18.5	V	
1,2,8,9, 10,11,16		Analog Input Maximum Voltage	-0.5 to ($V_{DD}+0.5$)	V	
1,2,8,9, 10,11,16		Analog Input Maximum Current	5	mA	
13	V_{GD}	Gate Drive Output Voltage	-0.3 to ($V_{DD}+0.3$)	V	
13	I_{GD}	Gate Drive Output Current	-1.0 / +0.5	A	
5	I_{SOURCE}	Current into Pin	1.1	A	
3	I_{CLAMP}	Clamp Output Current	15	mA	
-	P_D	Total Power Dissipation	400	mW	
-	T_J	Junction Temperature Operating Range (Note 8)	-40 to +125	°C	
-	T_{Stg}	Storage Temperature Range	-65 to +150	°C	
All Pins	ESD	Electrostatic Discharge Capability	Human Body Model	2000	V
			Charged Device Model	500	V

Note: 8. Long-term operation at the maximum junction temperature will result in reduced product life. Derate internal power dissipation at the rate of 50 mW/°C for variation over temperature.

WARNING:

Operation at or beyond these limits may result in permanent damage to the device.
Normal operation is not guaranteed at these extremes.

4. TYPICAL PERFORMANCE PLOTS

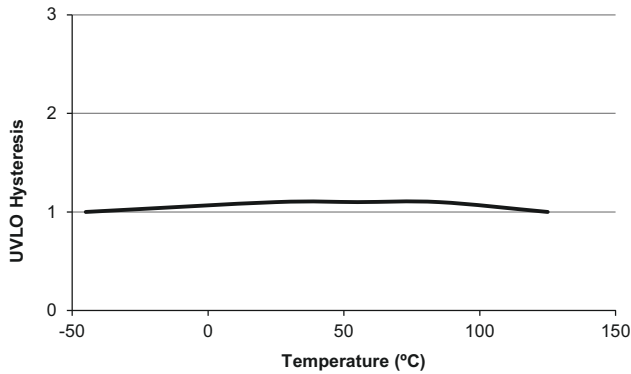


Figure 3. UVLO Characteristics

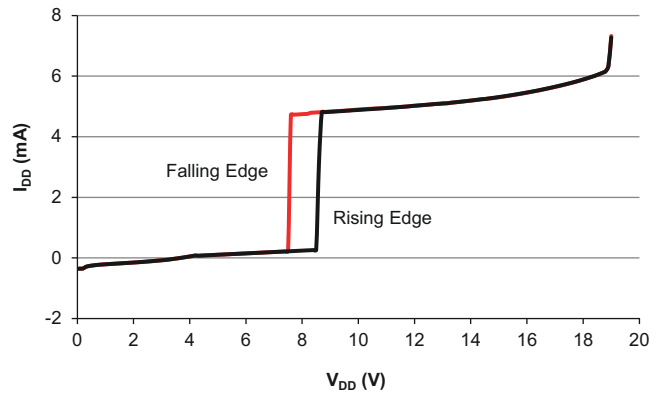


Figure 4. Supply Current vs. Voltage

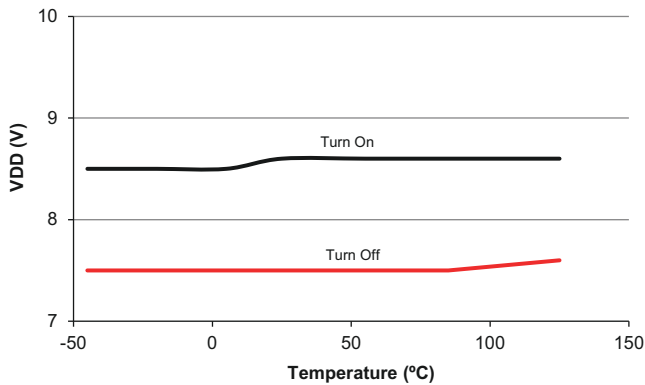


Figure 5. Turn On/Off Threshold Voltage vs. Temperature

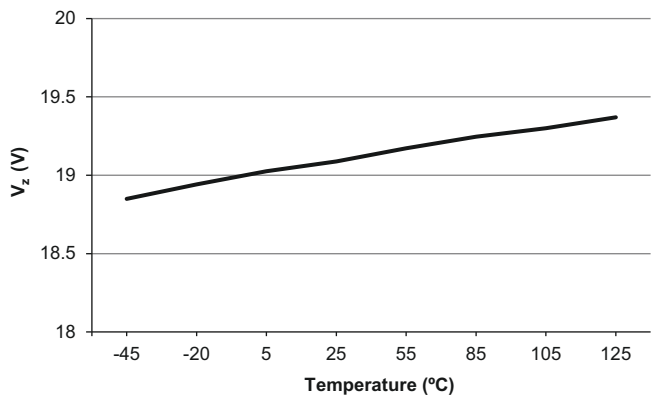


Figure 6. Zener Voltage vs. Temperature

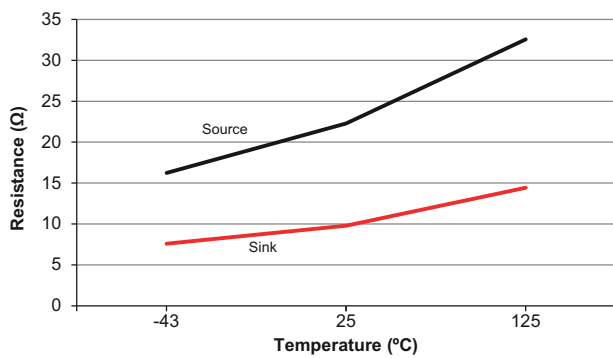


Figure 7. Gate Drive Resistance vs. Temperature

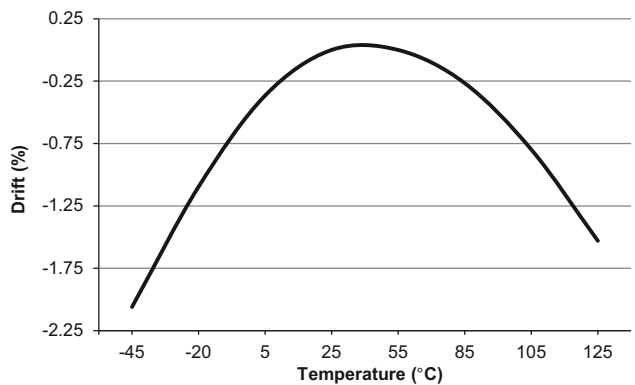


Figure 8. Reference Current (I_{ref}) Drift vs. Temperature

5. GENERAL DESCRIPTION

5.1 Overview

The CS1615A and CS1616A are high-performance single stage dimmable offline AC/DC controllers. The CS1615A/16A is a cost-effective solution that provides unmatched single- and multi-lamp dimmer-compatibility performance for dimmable LED applications. The CS1615A is designed for 120VAC line voltage applications, and the CS1616A is designed for 230VAC line voltage applications.

Across a broad range of dimmers, the CS1615A/16A provides smooth flicker free dimming, and consistently dims to nearly zero light output, which closely matches the dimming performance of incandescent light bulbs. Cirrus Logic's patent pending approach to dimmer compatibility provides full functionality on a wide range of dimmers, including leading-edge, trailing-edge, and digital dimmers.

5.2 IC Startup

A high-voltage source-follower circuit is used to deliver startup current to the IC. During steady-state operation, an auxiliary winding on the transformer/inductor biases this circuit to an off state to improve system efficiency, and all IC supply current is provided from the auxiliary winding. The patent-pending technology of the high-voltage source-follower circuit enables system compatibility with digital dimmers (dimmers containing an internal power supply) by providing a continuous path for the dimmer's power supply to recharge during its off state. During steady-state operation, high-voltage FET Q2 in this circuit is source-controlled by a variable internal current source on the SOURCE pin to create the dimmer-compatibility circuit.

A resistor is connected between the SOURCE pin and the source of source-follower FET. Resistor R5 is designed to control the startup in-rush current into the SOURCE pin of the IC, which allows for diode D3 to be specified as a standard low-cost diode.

During initial power-up, the IC executes a fast startup algorithm, which drives the converter with peak currents that are above normal to charge the output capacitor. Once the output capacitor reaches a defined voltage, the IC drives the converter with nominal peak currents until normal operation is achieved.

5.3 IC Operation

5.3.1 Dimmer Detection

The CS1615A/16A dimmer switch detection algorithm determines if a non-dimming switch, a leading-edge dimmer switch, or a trailing-edge dimmer switch controls the solid-state lighting (SSL) system. For each type of switch, the IC uses a different operating mode: for a non-dimming switch, No-dimmer Mode is used; for a leading-edge dimmer switch, Leading-edge Mode is used; for a trailing-edge dimmer switch, Trailing-edge Mode is used. As a result, the overall performance is optimized in terms of power losses, efficiency, power factor, THD, and dimmer compatibility.

When the IC completes UVLO, it executes in Leading-edge Mode until the dimmer switch detection algorithm determines the appropriate operating mode for the IC. The dimmer switch detection algorithm uses the input line voltage slope and dimmer phase angle to determine the operating mode that matches the type of dimmer switch in the system. From there on, it periodically learns the dimmer type and can change the operating mode if the type of dimmer switch changes.

5.3.1.1 No-dimmer Mode

If the CS1615A/16A determines that the line is not phase cut by a dimmer switch, the IC operates the flyback/buck-boost in PFC mode to achieve a power factor greater than 0.9 while regulating the load current to a level set by resistor R_{CTRL2} . In addition, a No-dimmer Mode algorithm is applied to the source-controlled dimmer-compatibility circuit for optimal performance, including less than 20% of THD and highest possible overall efficiency.

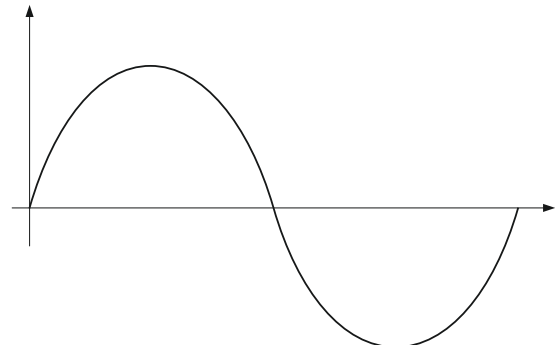


Figure 9. No-dimmer Mode Waveform

5.3.1.2 Leading-edge Mode

If the CS1615A/16A determines that the line is phase cut by a leading-edge dimmer switch, the IC operates the flyback/buck-boost in Dimmer Mode and the IC sets the dimmer firing current as well as the attach current using a source-controlled dimmer-compatibility circuit for stable TRIAC dimmer operation.

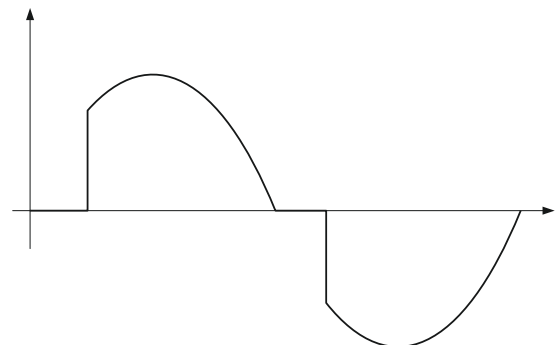


Figure 10. Leading-edge Mode Phase-cut Waveform

5.3.1.3 Trailing-edge Mode

If the CS1615A/16A determines that the line is phase cut by a trailing-edge dimmer switch, the IC operates the flyback/buck-boost in Dimmer Mode. The IC charges the capacitor in the

dimmer switch on the falling edge of the input voltage using a source-controlled dimmer-compatibility circuit.

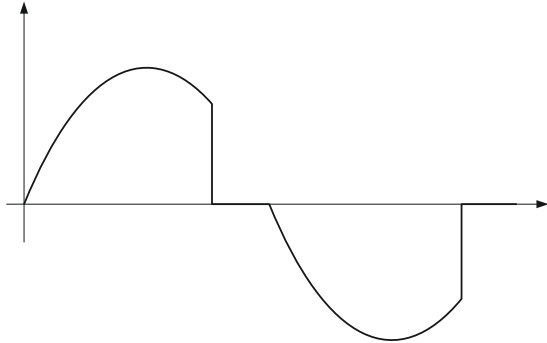


Figure 11. Trailing-edge Mode Phase-cut Waveform

5.3.2 Switch Overpower Protection

To prevent excessive power dissipation on the source-switched FET Q2, the CS1615A/16A monitors voltage across FET Q2 and current flow through FET Q2 to calculate average power dissipation. If the calculated power exceeds the overpower protection threshold, a fault condition occurs. The IC output is disabled and the controller attempts to restart after approximately thirty seconds.

5.4 Voltage Clamp Circuit

To keep trailing-edge dimmer switches conducting and from misfiring, the dimmer switch internal capacitor has to be charged quickly around the trailing edge of the phase-cut waveform. In addition to the dimmer compatible circuit, an optional clamp circuit provides a high-current sinking path for delivering the required amount of charge onto the dimmer switch capacitor in a short amount of time.

The CS1615A/16A provides active clamp circuitry on the CLAMP pin, as shown in Figure 12.

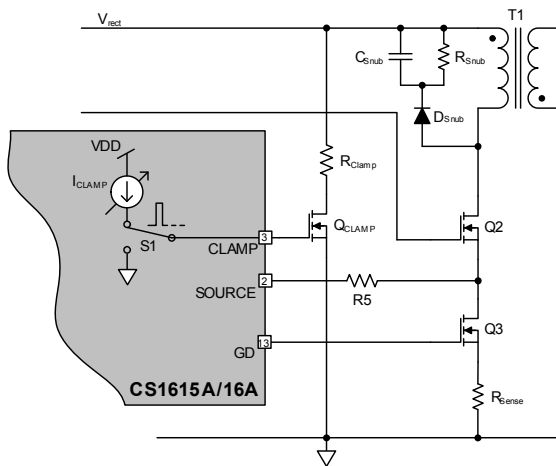


Figure 12. CLAMP Pin Model

5.4.1 Clamp Overpower Protection

The CS1615A/16A clamp overpower protection (COP) control logic averages the turn-on time of the clamp circuit. If the output of the averaging logic exceeds 10%, a COP event is actuated. The clamp circuit is disabled as well as the flyback/buck-boost controller and the dimmer-compatibility circuit. The COP fault state is not cleared until the power to the IC is recycled.

5.5 Dimmer Angle Extraction and the Dim Mapping Algorithm

When operating with a dimmer, the dimming signal is extracted in the time domain and is proportional to the conduction angle of the dimmer. A control variable is passed to the quasi-resonant flyback/buck-boost controller to achieve a wide range of output currents.

5.6 Dual-mode Flyback/Buck-boost

The CS1615A/16A is configurable for isolated or non-isolated topologies using a flyback transformer or buck-boost inductor, respectively. The CS1615A/16A controls the dual-mode flyback/buck-boost to satisfy the dimmer hold current requirement in Dimmer Mode and provide power factor correction in No-dimmer Mode. The dual-mode ensures a minimum average input current greater than the required dimmer hold current when behind a dimmer and shapes the line current when not behind a dimmer to provide power factor correction. It also ensures half line-cycle averaged constant output current.

Figure 13 illustrates the dual-mode flyback topology. The CS1615A/16A regulates output current using primary-side control, which eliminates the need for opto-coupler feedback. The control loop operates in peak current control mode. Demagnetization time of the transformer is sensed by the FBAUX pin using an auxiliary winding and is used as an input to the control loop.

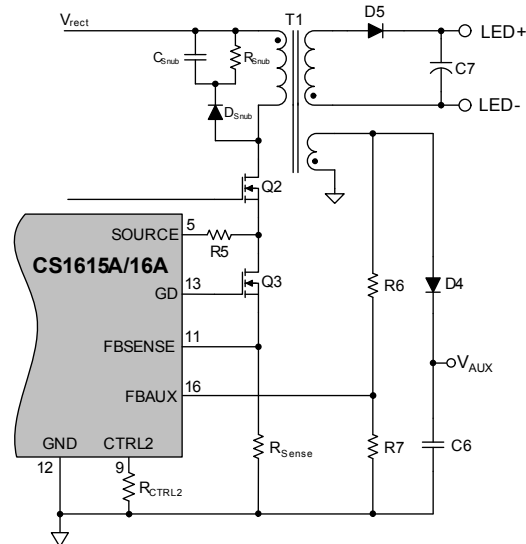


Figure 13. Flyback Model

Figure 14 illustrates the dual-mode buck-boost topology. The CS1615A/16A regulates the output current by controlling the peak current to ensure that the target output charge is achieved every half line-cycle. Demagnetization time of the inductor is sensed by the FBAUX pin using an auxiliary winding and is used as an input to the control loop.

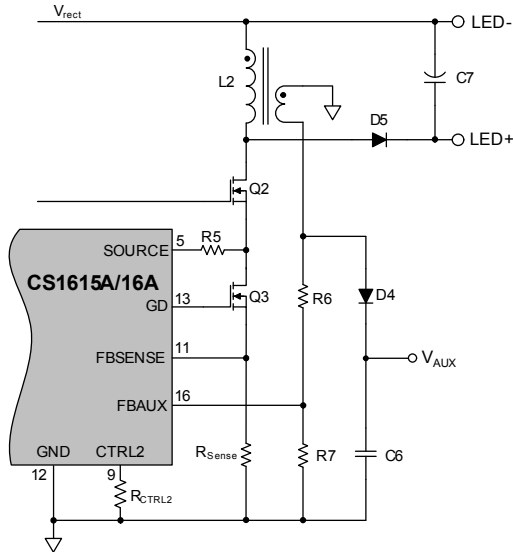


Figure 14. Buck-boost Model

5.6.1 Primary-Side Current Control

All input current shaping and output power transfer is attained using a peak current control algorithm. Demagnetization time of the primary inductor is sensed by the FBAUX pin using an auxiliary winding and is used as an input to the control algorithm. The values obtained from R_{CTRL1} and R_{CTRL2} are the other inputs to the control algorithm that help shape the input current and control the LED current, respectively.

5.6.2 Output Current Regulation

The CS1615A/16A regulates output current by controlling the charge transferred over a half line-cycle. The full-scale output current target is set using resistor R_{CTRL2} , which is connected on pin CTRL2. This pin is sampled periodically by an ADC. The value of this resistor can be determined using Equation 1.

$$R_{CTRL2} = \frac{1.4V \times N \times 4M\Omega}{1.25 \times 511 \times R_{Sense} \times I_{OUT}} \quad [Eq. 1]$$

where,

N = turns ratio

I_{OUT} = current through LED at maximum output

R_{Sense} = resistor attached to pin FBSENSE

When designing a buck-boost topology, the turns ratio N is set to one.

The CS1615A/16A uses the value obtained from resistor R_{CTRL2} along with the phase-cut and line-cycle period information to determine the corresponding target full-scale output charge. The

IC controls the inductor switching frequency and peak current to ensure that the target output charge is achieved every half line-cycle, thus regulating the output current.

5.6.3 Input Current Shaping

The CS1615A/16A shapes the input current by controlling the peak primary current and the flyback/buck-boost switching frequency. It shapes the currents differently when behind a dimmer compared to when not behind a dimmer.

5.6.3.1 Operation Behind a Dimmer

Operating behind a dimmer, the CS1615A/16A controls the switching frequency to ensure that the average input current is greater than the dimmer hold current requirement. The dimmer hold current level is sensed using resistor R_{CTRL1} on pin CTRL1, which is sampled periodically by an ADC. The value of this resistor can be determined using the formula shown in Equation 2.

$$R_{CTRL1} = \frac{1.4V \times 4M\Omega}{511 \times I_{IN(CC)} \times R_{Sense}} \quad [Eq. 2]$$

where,

$I_{IN(CC)}$ = constant input current used when designing circuit

R_{Sense} = resistor attached to pin FBSENSE

5.6.3.2 Operation in No-dimmer Mode

Operating in No-dimmer Mode, the CS1615A/16A controls the switching frequency to ensure that the average input current follows the line voltage to provide power factor correction. In No-dimmer Mode the controller is designed to operate in quasi-resonant mode to improve efficiency.

5.6.4 Max Primary-side Switching Current

Maximum primary-side switching current $I_{PK(max)}$ is set using resistor R_{Sense} connected to pin FBSENSE of the CS1615A/16. The maximum primary-side switching current can be calculated using Equation 3.

$$I_{PK(max)} = \frac{1.4}{R_{Sense}} \quad [Eq. 3]$$

5.6.5 Auxiliary Winding Configuration

The auxiliary winding is used for zero-current detection (ZCD), overvoltage protection (OVP), fast startup, and the steady-state power supply. The voltage on the auxiliary winding is sensed through pin FBAUX of the CS1615A/16A for zero-current detection, overvoltage protection, and fast startup. The auxiliary winding is also used to provide the steady-state power supply to the CS1615A/16.

5.6.6 Output Open Circuit Protection

Output open circuit protection and output overvoltage protection (OVP) are implemented by monitoring the output voltage through the transformer auxiliary winding. If the voltage on the FBAUX pin exceeds a threshold $V_{OVP(th)}$ of 1.25V, a fault condition occurs. The IC output is disabled and the controller attempts to restart after approximately one second.

5.6.7 Overcurrent Protection

Overcurrent protection (OCP) is implemented by monitoring the voltage across the sense resistor. If this voltage exceeds a threshold $V_{OCP(th)}$ of 1.69V, a fault condition occurs. The IC output is disabled and the controller attempts to restart after approximately one second.

5.6.8 Open Loop Protection

Open loop protection (OLP) and sense resistor short protection are implemented by monitoring the voltage across the resistor. If the voltage on pin FBSENSE does not reach the protection threshold $V_{OLP(th)}$ of 200mV, the IC output is disabled, and the controller attempts to restart after approximately one second.

5.7 Overtemperature Protection

The CS1615A/16A incorporates internal overtemperature protection (iOTP) and the ability to connect an external overtemperature sense circuit for IC protection. Typically, an NTC thermistor is used.

5.7.1 Internal Overtemperature Protection

Internal overtemperature protection (iOTP) is activated, and switching is disabled when the die temperature of the devices exceeds 135°C. There is a hysteresis of about 14°C before resuming normal operation.

5.7.2 External Overtemperature Protection

The external overtemperature protection (eOTP) pin is used to implement overtemperature protection. A negative temperature coefficient (NTC) thermistor resistive network is connected to pin eOTP, usually in the form of a series combination of a resistor R_S and a thermistor R_{NTC} (see Figure 15). The CS1615A/16A cyclically samples the resistance connected to pin eOTP.

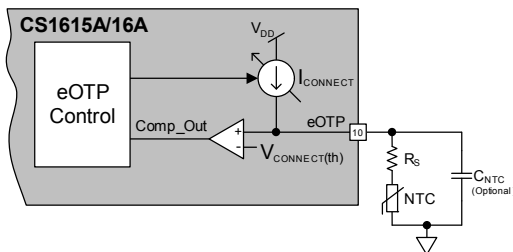


Figure 15. eOTP Functional Diagram

The total resistance on the eOTP pin gives an indication of the temperature and is used in a digital feedback loop to adjust current $I_{CONNECT}$ into the NTC and series resistor R_S to maintain a constant reference voltage $V_{CONNECT(th)}$ of 1.25V. Current $I_{CONNECT}$ is generated from a controlled current source with a full-scale current of 80µA. When the loop is in equilibrium, the voltage on the eOTP pin fluctuates around $V_{CONNECT(th)}$. A resistance ADC is used to generate $I_{CONNECT}$. The ADC output is filtered to suppress noise and compared against a reference that corresponds to 125°C. A second low-pass filter with a time constant of two seconds filters the ADC output and is used to

scale down the internal dim level of the system (and hence LED current I_{LED}) if the temperature exceeds 95°C. The large time constant for this filter ensures that the dim scaling does not happen spontaneously and is not noticeable (suppress spurious glitches). The eOTP tracking circuit is designed to function accurately with external capacitance up to 470pF.

The tracking range of this resistance ADC is approximately 15.5kΩ to 4MΩ. The series resistor R_S is used to adjust the resistance of the NTC to fall within the ADC tracking range, allowing the entire dynamic range of the ADC to be well used. The CS1615A/16A recognizes a resistance ($R_S + R_{NTC}$) equal to 20.3kΩ, which corresponds to a temperature of 95°C, as the beginning of an overtemperature dimming event and starts reducing the power dissipation. The output current is scaled until the series resistance ($R_S + R_{NTC}$) value reaches 16.6kΩ (125°C). Beyond this temperature, the IC shuts down until the resistance ($R_S + R_{NTC}$) rises above 19.23kΩ. This is not a latched protection state, and the ADC keeps tracking the temperature in this state in order to clear the fault state once the temperature drops below 110°C.

When exiting reset, the chip enters startup and the ADC quickly (<5ms) tracks the external temperature to check if it is below the 110°C reference code before the controller is powered up. If this check fails, the chip will wait until this condition becomes true before initializing the rest of the system.

For example, a 14kΩ (±1% tolerance) series resistor is required to allow measurements of up to 130°C to be within the eOTP tracking range when a 100kΩ NTC with a Beta of 4275. If the temperature exceeds 95°C, thermistor R_{NTC} is approximately 6.3kΩ and series resistor R_S is 14kΩ, so the eOTP pin has a total resistance of 20.3kΩ. The eOTP pin initiates protective dimming action by reducing the power dissipation. At 125°C the thermistor R_{NTC} has 2.6kΩ plus a series resistor R_S equal to 14kΩ present a resistance of 16.6kΩ at the eOTP pin reaching the point where a thermal shutdown fault intervenes. The CS1615A/16A will continue to monitor pin eOTP and once the series resistor R_S plus the thermistor R_{NTC} rises above 19.23kΩ the device will resume power conversion (see Figure 16).

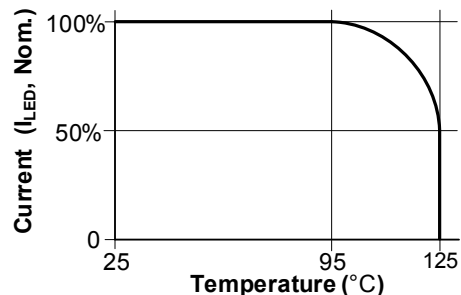
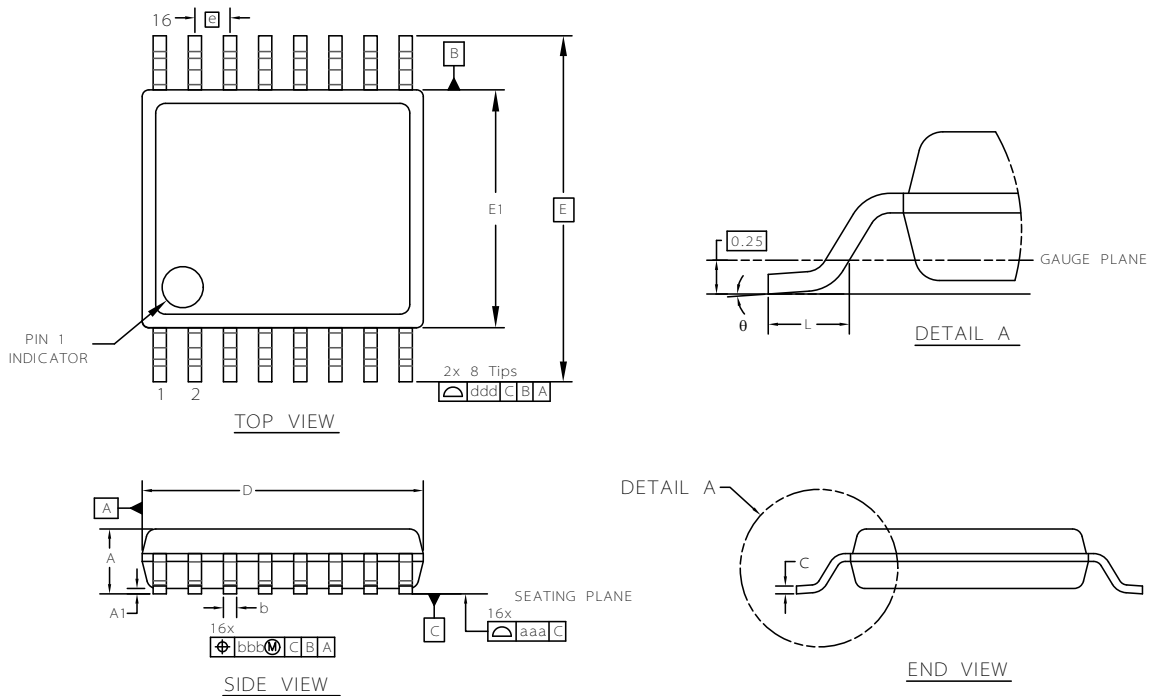


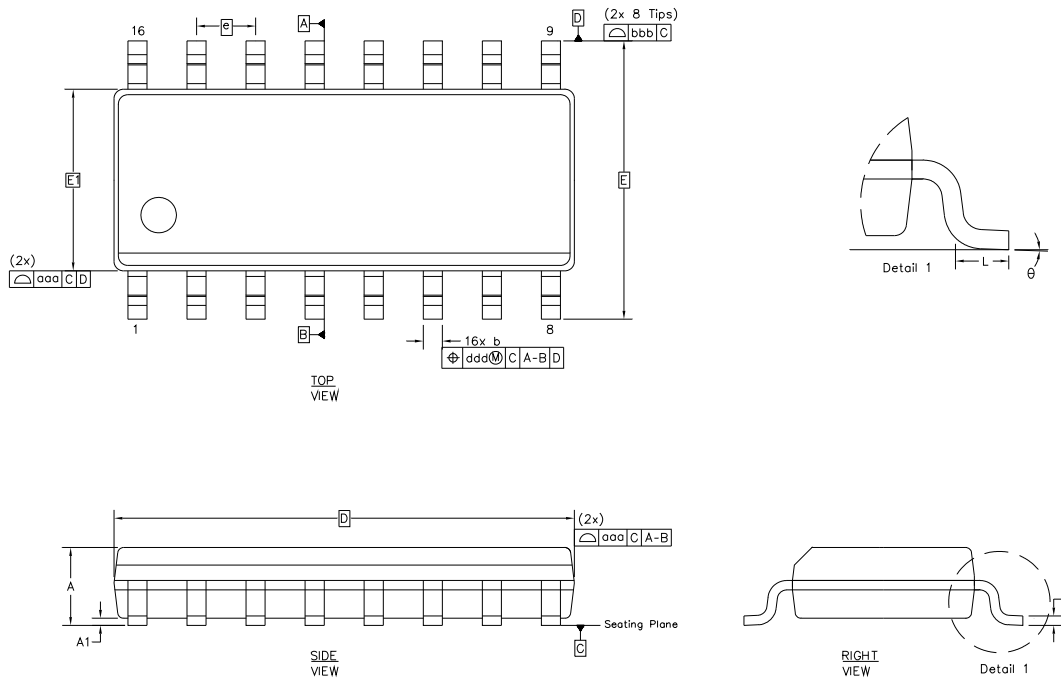
Figure 16. eOTP Temperature vs. Impedance

If the external overtemperature protection feature is not required, connect the eOTP pin to GND using a 50kΩ-to-500kΩ resistor to disable the eOTP feature.

6. PACKAGE DRAWING
16-PIN TSSOP (173 MIL BODY)


Dimension	mm			inch		
	MIN	NOM	MAX	MIN	NOM	MAX
A	--	--	1.20	--	--	0.047
A1	0.05	--	0.15	0.002	--	0.006
b	0.19	--	0.30	0.007	--	0.012
C	0.09	--	0.20	0.004	--	0.008
D	4.90	5.00	5.10	0.193	0.197	0.201
E	6.40 BSC			0.252 BSC		
E1	4.30	4.40	4.50	0.169	0.173	0.177
e	0.65 BSC			0.026 BSC		
L	0.45	0.60	0.75	0.018	0.024	0.030
θ	0°	--	8°	0°	--	8°
aaa	0.10			0.004		
bbb	0.10			0.004		
ddd	0.20			0.008		

1. Controlling dimensions are in millimeters.
2. Dimensioning and tolerances per ASME Y14.5M.
3. This drawing conforms to JEDEC outline MO-153, variation AB.
4. Recommended reflow profile is per JEDEC/IPC J-STD-020.

16-PIN SOICN (150 MIL BODY)


Dimension	mm			inch		
	MIN	NOM	MAX	MIN	NOM	MAX
A	--	--	1.75	--	--	0.069
A1	0.10	--	0.25	0.004	--	0.010
b	0.31	--	0.51	0.012	--	0.020
c	0.10	--	0.25	0.004	--	0.010
D	9.90 BSC			0.390 BSC		
E	6.00 BSC			0.236 BSC		
E1	3.90 BSC			0.154 BSC		
e	1.27 BSC			0.050 BSC		
L	0.40	--	1.27	0.016	--	0.050
θ	0°	--	8°	0°	--	8°
aaa	0.10			0.004		
bbb	0.25			0.010		
ddd	0.25			0.010		

- Notes:
1. Controlling dimensions are in millimeters.
 2. Dimensions and tolerances per ASME Y14.5M.
 3. This drawing conforms to JEDEC outline MS-012, variation AC for standard 16 SOICN narrow body.
 4. Recommended reflow profile is per JEDEC/IPC J-STD-020.

7. ORDERING INFORMATION

Ordering Number	Container	AC Line Voltage	Temperature	Package
CS1615A-FSZ	Bulk	120VAC	-40 °C to +125 °C	16-lead SOICN, Lead (Pb) Free
CS1615A-FSZR	Tape & Reel			
CS1616A-FSZ	Bulk	230VAC	-40 °C to +125 °C	16-lead SOICN, Lead (Pb) Free
CS1616A-FSZR	Tape & Reel			
CS1615A-FZZ	Bulk	120VAC	-40 °C to +125 °C	16-lead TSSOP, Lead (Pb) Free
CS1615A-FZZR	Tape & Reel			
CS1616A-FZZ	Bulk	230VAC	-40 °C to +125 °C	16-lead TSSOP, Lead (Pb) Free
CS1616A-FZZR	Tape & Reel			

8. ENVIRONMENTAL, MANUFACTURING, & HANDLING INFORMATION

Part Number	Peak Reflow Temp	MSL Rating ^a	Max Floor Life ^b
CS1615A-FSZ	260 °C	3	7 Days
CS1616A-FSZ	260 °C	3	7 Days
CS1615A-FZZ	260 °C	3	7 Days
CS1616A-FZZ	260 °C	3	7 Days

a.MSL (Moisture Sensitivity Level) as specified by IPC/JEDEC J-STD-020.

b.Stored at 30 °C, 60% relative humidity.

REVISION HISTORY

Revision	Date	Changes
PP1	JUL 2013	Edited content to move source switcher
PP2	AUG 2013	Context clarification

Contacting Cirrus Logic Support

For all product questions and inquiries contact a Cirrus Logic Sales Representative. To find the one nearest to you go to www.cirrus.com

IMPORTANT NOTICE

"Preliminary" product information describes products that are in production, but for which full characterization data is not yet available.

Cirrus Logic, Inc. and its subsidiaries ("Cirrus") believe that the information contained in this document is accurate and reliable. However, the information is subject to change without notice and is provided "AS IS" without warranty of any kind (express or implied). Customers are advised to obtain the latest version of relevant information to verify, before placing orders, that information being relied on is current and complete. All products are sold subject to the terms and conditions of sale supplied at the time of order acknowledgment, including those pertaining to warranty, indemnification, and limitation of liability. No responsibility is assumed by Cirrus for the use of this information, including use of this information as the basis for manufacture or sale of any items, or for infringement of patents or other rights of third parties. This document is the property of Cirrus and by furnishing this information, Cirrus grants no license, express or implied under any patents, mask work rights, copyrights, trademarks, trade secrets or other intellectual property rights. Cirrus owns the copyrights associated with the information contained herein and gives consent for copies to be made of the information only for use within your organization with respect to Cirrus integrated circuits or other products of Cirrus. This consent does not extend to other copying such as copying for general distribution, advertising or promotional purposes, or for creating any work for resale.

CERTAIN APPLICATIONS USING SEMICONDUCTOR PRODUCTS MAY INVOLVE POTENTIAL RISKS OF DEATH, PERSONAL INJURY, OR SEVERE PROPERTY OR ENVIRONMENTAL DAMAGE ("CRITICAL APPLICATIONS"). CIRRUS PRODUCTS ARE NOT DESIGNED, AUTHORIZED OR WARRANTED FOR USE IN PRODUCTS SURGICALLY IMPLANTED INTO THE BODY, AUTOMOTIVE SAFETY OR SECURITY DEVICES, LIFE SUPPORT PRODUCTS OR OTHER CRITICAL APPLICATIONS. INCLUSION OF CIRRUS PRODUCTS IN SUCH APPLICATIONS IS UNDERSTOOD TO BE FULLY AT THE CUSTOMER'S RISK AND CIRRUS DISCLAIMS AND MAKES NO WARRANTY, EXPRESS, STATUTORY OR IMPLIED, INCLUDING THE IMPLIED WARRANTIES OF MERCHANTABILITY AND FITNESS FOR PARTICULAR PURPOSE, WITH REGARD TO ANY CIRRUS PRODUCT THAT IS USED IN SUCH A MANNER. IF THE CUSTOMER OR CUSTOMER'S CUSTOMER USES OR PERMITS THE USE OF CIRRUS PRODUCTS IN CRITICAL APPLICATIONS, CUSTOMER AGREES, BY SUCH USE, TO FULLY INDEMNIFY CIRRUS, ITS OFFICERS, DIRECTORS, EMPLOYEES, DISTRIBUTORS AND OTHER AGENTS FROM ANY AND ALL LIABILITY, INCLUDING ATTORNEYS' FEES AND COSTS, THAT MAY RESULT FROM OR ARISE IN CONNECTION WITH THESE USES.

Use of the formulas, equations, calculations, graphs, and/or other design guide information is at your sole discretion and does not guarantee any specific results or performance. The formulas, equations, graphs, and/or other design guide information are provided as a reference guide only and are intended to assist but not to be solely relied upon for design work, design calculations, or other purposes. Cirrus Logic makes no representations or warranties concerning the formulas, equations, graphs, and/or other design guide information.

Cirrus Logic, Cirrus, the Cirrus Logic logo designs, EXL Core, and the EXL Core logo design are trademarks of Cirrus Logic, Inc. All other brand and product names in this document may be trademarks or service marks of their respective owners.