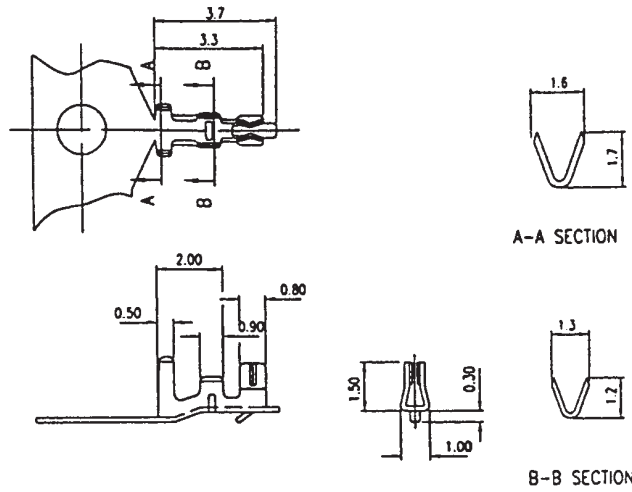


125G2 CONNECTOR SYSTEM

.049" (1.25mm) pitch wire-to-board type

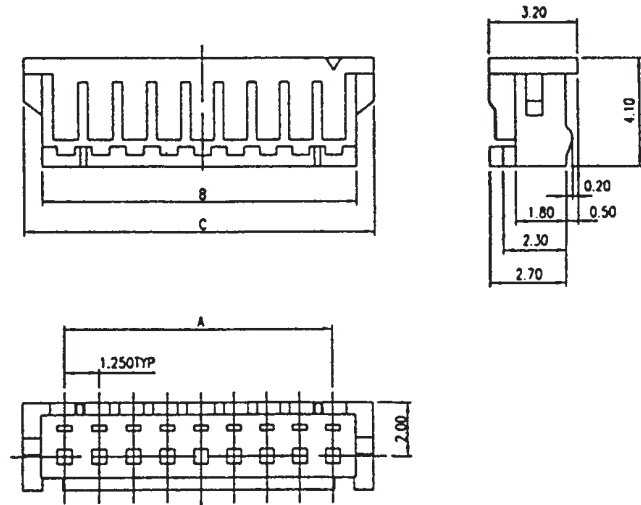
SST



PART NO.	WIRE RANGE		MATERIAL/	THICKNESS	INSULATION	REEL
	AWG#	mm ²	FINISH	mm	O.D.(mm)	PCS
125G2-TP	28-32	0.08-0.032	PHOS/TIN	0.15	1.0 MAX	10000
125G2-GP	28-32	0.08-0.032	PHOS/GOLD	0.15	1.0 MAX	10000

125G2-1H SERIES HOUSING

MATERIAL : NYLON 66 UL 94V-0
 MATE WITH 125G2-D(M) SERIES HEADER
 ACCEPT 125G2-TP(GP) TERMINAL
 CURRENT RATING : 1A AC,DC
 VOLTAGE RATING : 100V AC,DC
 CONTACT RESISTANCE : 20m δ MAX
 INSULATION RESISTANCE : 500M δ MIN
 WITHSTANDING VOLTAGE : 500V AC/MINUTE
 TEMPERATURE RANGE : -25°C TO +85°C



POLES	PART NO.	DIMENSIONS (mm)			POLES	PART NO.	DIMENSIONS (mm)		
		A	B	C			A	B	C
2	125G2-1H02	1.25	3.00	4.00	9	125G2-1H09	10.00	11.75	12.75
3	125G2-1H03	2.50	4.25	5.25	10	125G2-1H10	11.25	13.00	14.00
4	125G2-1H04	3.75	5.50	6.50	11	125G2-1H11	12.50	14.25	15.25
5	125G2-1H05	5.00	6.75	7.75	12	125G2-1H12	13.75	15.50	16.50
6	125G2-1H06	6.25	8.00	9.00	13	125G2-1H13	15.00	16.75	17.75
7	125G2-1H07	7.50	9.25	10.25	14	125G2-1H14	16.25	18.00	19.00
8	125G2-1H08	8.75	10.50	11.50	15	125G2-1H15	17.50	19.25	20.25

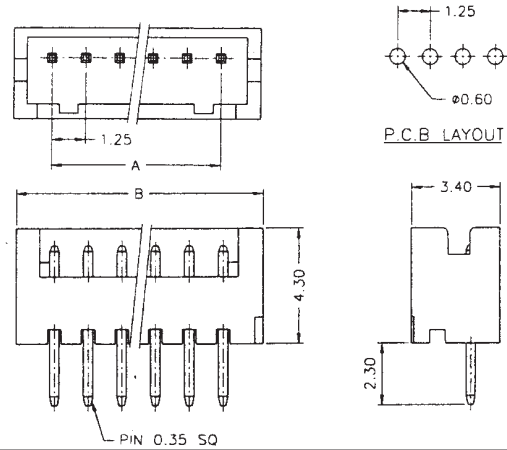
125G2 CONNECTOR SYSTEM

.049" (1.25mm) pitch wire-to-board type



125G2-IDV SERIES HEADER

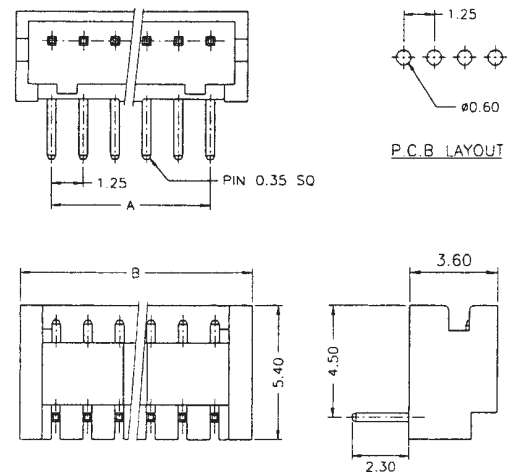
MATERIAL : NYLON 66 UL 94V-0
 PIN PHOS TIN-PLATED
 MATE WITH 125G2-1H SERIES HOUSING
 CURRENT RATING : 1A AC, DC
 VOLTAGE RATING : 100V AC, DC
 CONTACT RESISTANCE : 20m Ω MAX
 INSULATION RESISTANCE : 500M Ω MIN
 WITHSTANDING VOLTAGE : 500V AC/MINUTE
 TEMPERATURE RANGE : -25°C TO +85°C



POLES	PART NO.	DIMENSIONS (mm)		POLES	PART NO.	DIMENSIONS (mm)	
		A	B			A	B
2	125G2-IDV02	1.25	4.15	9	125G2-IDV09	10.00	12.90
3	125G2-IDV03	2.50	5.40	10	125G2-IDV10	11.25	14.15
4	125G2-IDV04	3.75	6.65	11	125G2-IDV11	12.50	15.40
5	125G2-IDV05	5.00	7.90	12	125G2-IDV12	13.75	16.65
6	125G2-IDV06	6.25	9.15	13	125G2-IDV13	15.00	17.90
7	125G2-IDV07	7.50	10.40	14	125G2-IDV14	16.25	19.15
8	125G2-IDV08	8.75	11.65	15	125G2-IDV15	17.50	20.40

125G2-IDR SERIES HEADER

MATERIAL : NYLON 66 UL 94V-0
 PIN PHOS TIN-PLATED
 MATE WITH 125G2-1H SERIES HOUSING
 CURRENT RATING : 1A AC, DC
 VOLTAGE RATING : 100V AC, DC
 CONTACT RESISTANCE : 20m Ω MAX
 INSULATION RESISTANCE : 500M Ω MIN
 WITHSTANDING VOLTAGE : 500V AC/MINUTE
 TEMPERATURE RANGE : -25°C TO +85°C



POLES	PART NO.	DIMENSIONS (mm)		POLES	PART NO.	DIMENSIONS (mm)	
		A	B			A	B
2	125G2-IDR02	1.25	4.15	9	125G2-IDR09	10.00	12.90
3	125G2-IDR03	2.50	5.40	10	125G2-IDR10	11.25	14.15
4	125G2-IDR04	3.75	6.65	11	125G2-IDR11	12.50	15.40
5	125G2-IDR05	5.00	7.90	12	125G2-IDR12	13.75	16.65
6	125G2-IDR06	6.25	9.15	13	125G2-IDR13	15.00	17.90
7	125G2-IDR07	7.50	10.40	14	125G2-IDR14	16.25	19.15
8	125G2-IDR08	8.75	11.65	15	125G2-IDR15	17.50	20.40

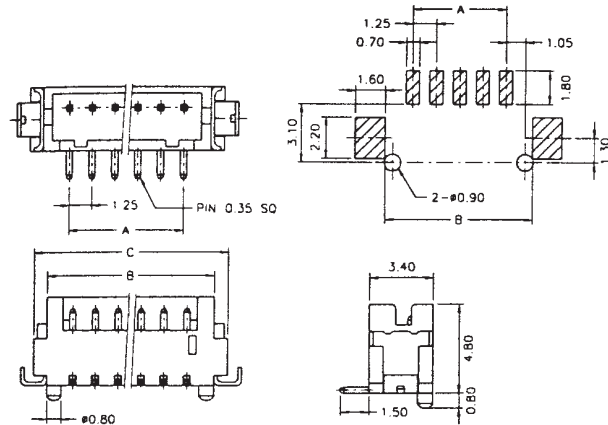
125G2 CONNECTOR SYSTEM

.049" (1.25mm) pitch wire-to-board type



125G2-IMV SERIES HEADER

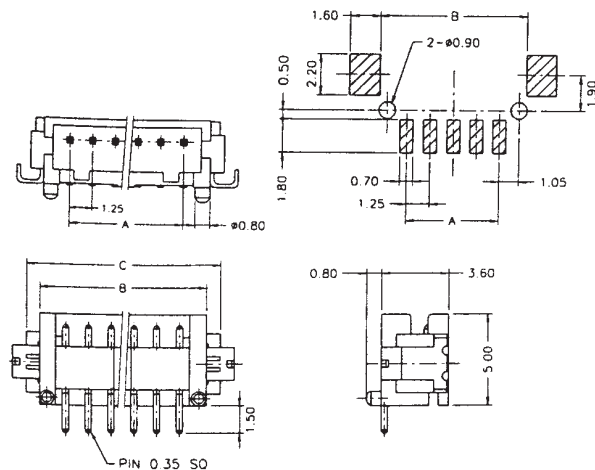
MATERIAL : NYLON 6T UL 94V-0
 PIN PHOS TIN-PLATED
 MATE WITH 125G2-1H SERIES HOUSING
 CURRENT RATING : 1A AC, DC
 VOLTAGE RATING : 100V AC, DC
 CONTACT RESISTANCE : 20m Ω MAX
 INSULATION RESISTANCE : 500M Ω MIN
 WITHSTANDING VOLTAGE : 500V AC/MINUTE
 TEMPERATURE RANGE : -25°C TO +85°C



POLES	PART NO.	DIMENSIONS (mm)			POLES	PART NO.	DIMENSIONS (mm)		
		A	B	C			A	B	C
2	125G2-IMV02	1.25	4.15	5.65	9	125G2-IMV09	10.00	12.90	14.40
3	125G2-IMV03	2.50	5.40	6.90	10	125G2-IMV10	11.25	14.15	15.65
4	125G2-IMV04	3.75	6.65	8.15	11	125G2-IMV11	12.50	15.40	16.90
5	125G2-IMV05	5.00	7.90	9.40	12	125G2-IMV12	13.75	16.65	18.15
6	125G2-IMV06	6.25	9.15	10.65	13	125G2-IMV13	15.00	17.90	19.40
7	125G2-IMV07	7.50	10.40	11.90	14	125G2-IMV14	16.25	19.15	20.65
8	125G2-IMV08	8.75	11.65	13.15	15	125G2-IMV15	17.50	20.40	21.90

125G2-IMR SERIES HEADER

MATERIAL : NYLON 6T UL 94V-0
 PIN PHOS TIN-PLATED
 MATE WITH 125G2-1H SERIES HOUSING
 CURRENT RATING : 1A AC, DC
 VOLTAGE RATING : 100V AC, DC
 CONTACT RESISTANCE : 20m Ω MAX
 INSULATION RESISTANCE : 500M Ω MIN
 WITHSTANDING VOLTAGE : 500V AC/MINUTE
 TEMPERATURE RANGE : -25°C TO +85°C



POLES	PART NO.	DIMENSIONS (mm)			POLES	PART NO.	DIMENSIONS (mm)		
		A	B	C			A	B	C
2	125G2-IMR02	1.25	4.15	5.65	9	125G2-IMR09	10.00	12.90	14.40
3	125G2-IMR03	2.50	5.40	6.90	10	125G2-IMR10	11.25	14.15	15.65
4	125G2-IMR04	3.75	6.65	8.15	11	125G2-IMR11	12.50	15.40	16.90
5	125G2-IMR05	5.00	7.90	9.40	12	125G2-IMR12	13.75	16.65	18.15
6	125G2-IMR06	6.25	9.15	10.65	13	125G2-IMR13	15.00	17.90	19.40
7	125G2-IMR07	7.50	10.40	11.90	14	125G2-IMR14	16.25	19.15	20.65
8	125G2-IMR08	8.75	11.65	13.15	15	125G2-IMR15	17.50	20.40	21.90

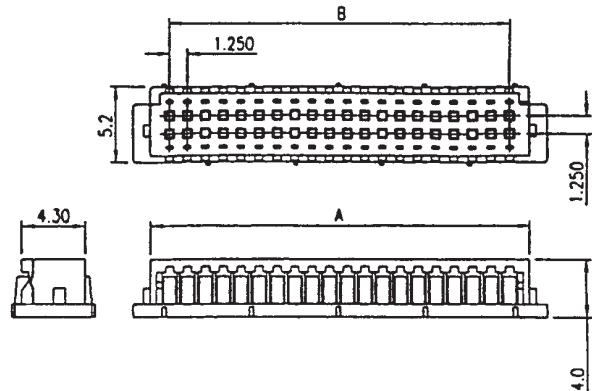
125G2 CONNECTOR SYSTEM

.049" (1.25mm) pitch wire-to-board type



125G2-2H SERIES HOUSING

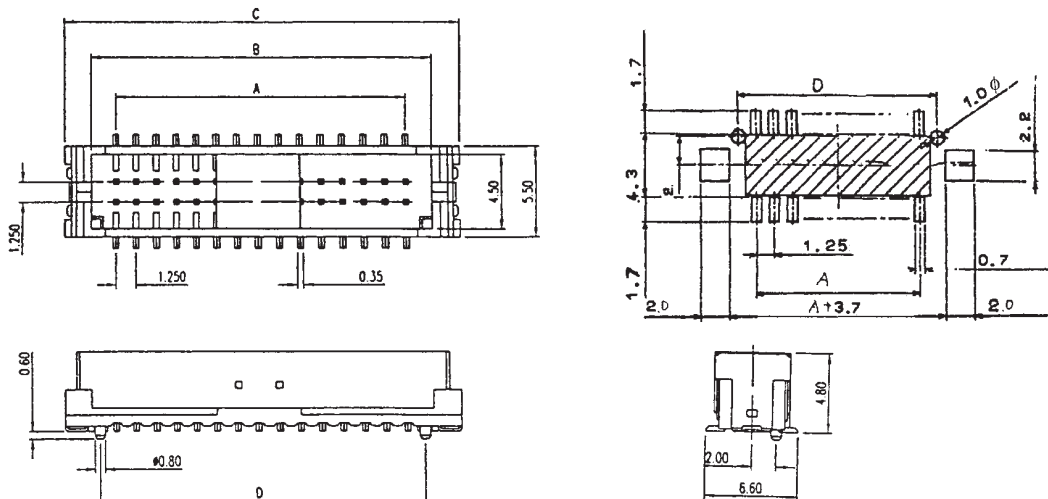
MATERIAL : NYLON 66 UL 94V-0
 ACCEPT 125G2-T(G)P TERMINAL
 MATE WITH 125G2-2MR HEADER
 CURRENT RATING : 1A AC,DC
 VOLTAGE RATING : 100V AC,DC
 CONTACT RESISTANCE : 20m δ MAX
 INSULATION RESISTANCE : 500M δ MIN
 WITHSTANDING VOLTAGE : 500V AC/MINUTE
 TEMPERATURE RANGE : -25°C TO +85°C



POLES	PART NO.	DIMENSIONS (mm)		POLES	PART NO.	DIMENSIONS (mm)	
		A	B			A	B
10	125G2-2H10	8.00	5.00	30	125G2-2H30	20.50	17.50
20	125G2-2H20	14.25	11.25	40	125G2-2H40	26.75	23.75

125G1-2MR SERIES HEADER

MATERIAL : NYLON 66 UL 94V-0
 PIN PHOS TIN-PLATED
 ACCEPT 125G2-TP(GP) TERMINAL
 MATE WITH 125G2-2H SERIES HOUSING
 CURRENT RATING : 1A AC,DC
 VOLTAGE RATING : 100V AC,DC
 CONTACT RESISTANCE : 20m δ MAX
 INSULATION RESISTANCE : 500M δ MIN
 WITHSTANDING VOLTAGE : 500V AC/MINUTE
 TEMPERATURE RANGE : -25°C TO +85°C



POLES	PART NO.	DIMENSIONS (mm)				POLES	PART NO.	DIMENSIONS (mm)			
		A	B	C	D			A	B	C	D
10	125G2-2MR10	5.00	8.11	11.95	7.50	30	125G2-2MR30	17.50	20.60	24.45	20.00
20	125G2-2MR20	11.25	14.35	18.20	13.75	40	125G2-2MR40	23.75	26.85	30.70	26.25