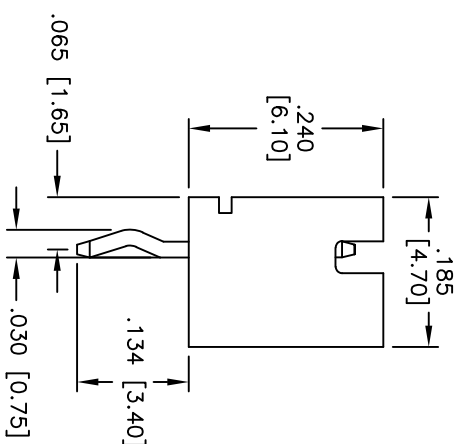
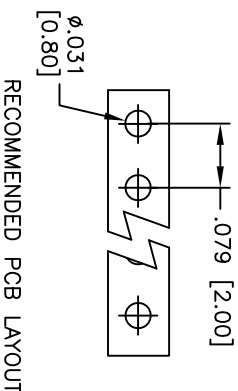
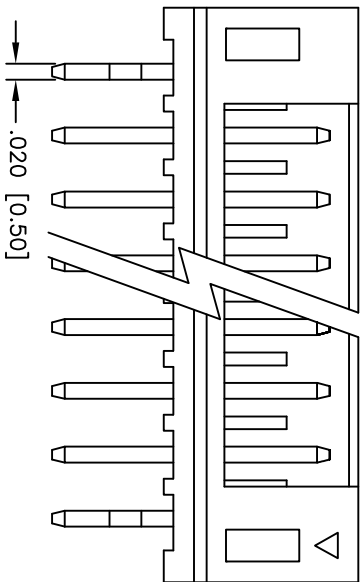
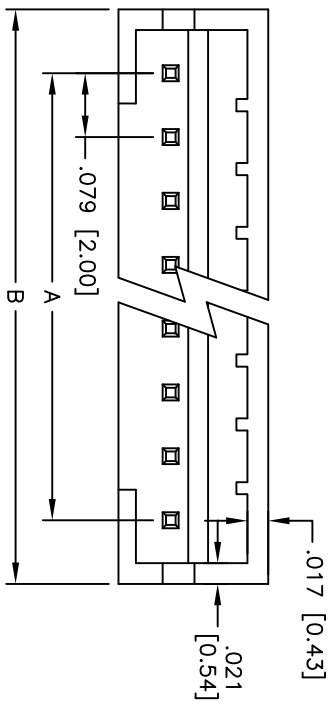


Rev	AWO #	Description	Date	Appr
-		RELEASED	6/14/11	

APPROVED: \_\_\_\_\_  
 DATE: \_\_\_\_\_ TITLE: \_\_\_\_\_



Positions: 2 thru 8  
 A = .079 [2.00] x No. of Spaces  
 B = .079 [2.00] x No. of Spaces + .157 [4.00]

SPECIFICATIONS:  
 Material: Nylon 9T, rated UL 94V-0  
 Insulator color: Natural  
 Contacts: Brass

Plating: Tin over Copper underplate overall  
 Environmental: Lead free, RoHS compliant  
 Recommended soldering temp: 260°C for 5 seconds



UNLESS OTHERWISE SPECIFIED	
ALL DIMENSIONS ARE INCHES [MM]	
TOLERANCES: EXCEPT AS NOTED	
INCHES	HOLDS
X ± .10	ØX ± .10
.XX ± .020	ØXX ± .015
.XXX ± .015	ØXXX ± .010
APPROVALS	
DRAWN	DATE
CHECKED	
APPROVED	

**ADAM TECH**  
 909 Railway Avenue, Union, NJ 07083  
 Phone: 908-687-5000 Fax: 908-687-5710

TITLE: **.079 [2.00] SHRROUDED HEADER STRAIGHT, PCB**

SIZE	PART NO.	REV.
X	2SH-C1-XX-TS-HT	-
REF: S000QT	SCALE: NTS	SHEET 1 OF 1

6 5 4 3 2 1