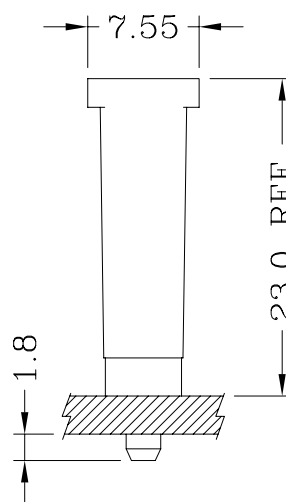


Assembly Layout
Straight Angle (V-Type)



Specifications:

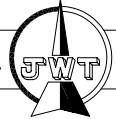
Poles	1~6 Poles
Pitch between poles	10.0-8.0mm
Rated Voltage	250V AC,DC
Rated Current	5A (AWG #18)
Withstand Voltage	1,500V AC/minute
Contact Resistance	10mΩ (MAX.)
Insulation Resistance	1,000MΩ (MIN.)
Temperature Range	-25°~+95°C
Applicable P.C.B. Thickness	1.6mm
Applicable P.C.B. Hole dia.	∅2.55±0.05mm
Applicable Wire Range	AWG #18~#24

 UL:Recongized No. E144544

 CSA:Certified No. LR78619

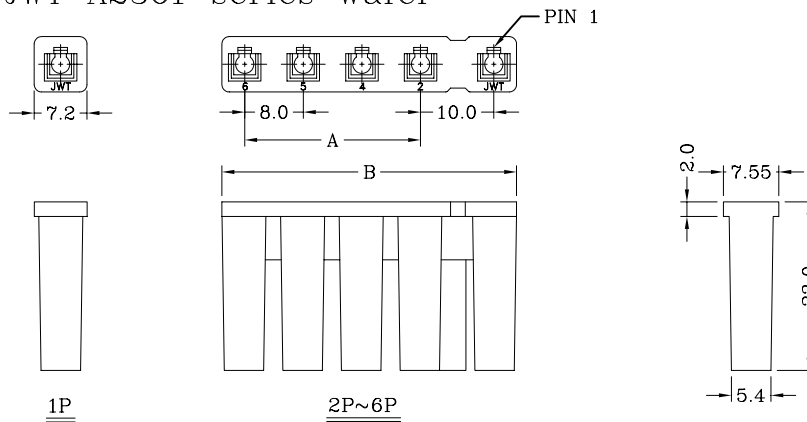


A2361 Series 10.00-8.00mm pitch crimp terminal socket



Features:

- * Available in 1 through 6 circuits
- * Material: Nylon 66 UL 94V-0
- * Suitable for JWT A2361 series terminal
- * Mates with JWT A2361 series wafer



Dimensional & Ordering Information:

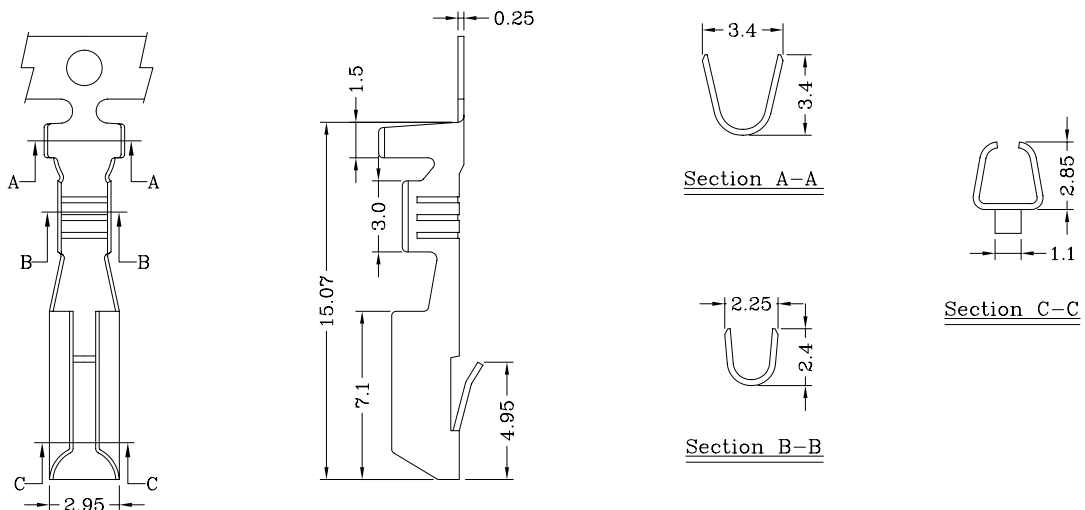
Circuits	Part No	Dimensions		PCS/BAG
		A	B	
1	A2361H02-1P*			1000
2	A2361H02-2P*		16.2	1000
3	A2361H02-3P*	8.00	24.2	1000
4	A2361H02-4P*	16.00	32.2	500
5	A2361H02-5P*	24.00	40.2	500
6	A2361H02-6P*	32.00	48.2	500

NOTE:
A2361H02-NP*
Color: Replace * with
(Void)=Standard color (Black)
J=Gray color
K=White color

A2361 Series 10.00-8.00mm pitch crimp terminal

Features:

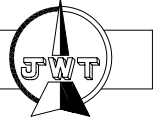
- * Multi-contact point
- * Used in JWT A2361 series socket



Specifications & Ordering Information:

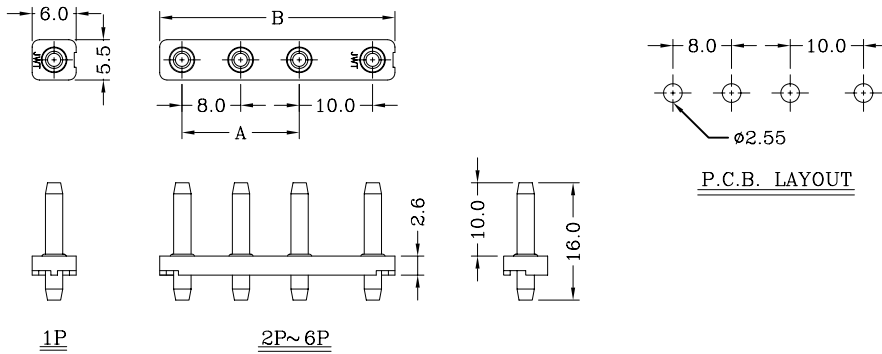
Part No	Wire Range	Insulation o.d.	Material	Finish	Qty/reel	Note
A2361TOB-1	AWG #18~#24	2.54mm(max)	Brass	Ni-plated	6,000 PCS	Used for 3 Circuits & Above
A2361TOB-2	AWG #18~#24	2.54mm(max)	Brass	Tin-plated	6,000 PCS	
A2361TOP-1	AWG #18~#24	2.54mm(max)	Phosphor Bronze	Ni-plated	6,000 PCS	Used for 3 Circuits & Above
A2361TOP-2	AWG #18~#24	2.54mm(max)	Phosphor Bronze	Tin-plated	6,000 PCS	

A2361 Series 10.00-8.00mm pitch wafer



Features:

- * Available in 1 through 6 circuits
- * Material: Insulator: PBT UL 94V-0
Contact: $\phi 2.36$ mm round pin, Tin plated
- * Mates with A2361 series socket



Dimensional & Ordering Information:

Circuits	Part No	Dimension mm		PCS/BAG
		A	B	
1	A2361WV2-1P*	—	—	1000
2	A2361WV2-2P*	—	16.0	1000
3	A2361WV2-3P*	8.00	24.0	1000
4	A2361WV2-4P*	16.00	32.0	1000
5	A2361WV2-5P*	24.00	40.0	500
6	A2361WV2-6P*	32.00	48.0	500

NOTE:
A2361WV2-NP*
Color: Replace * with
(Void)=Standard color(Black)
K=White color