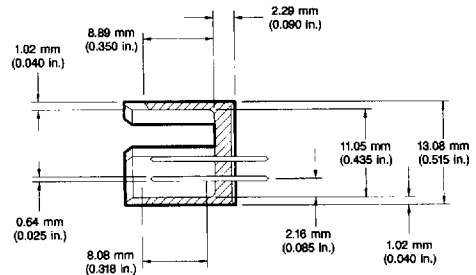
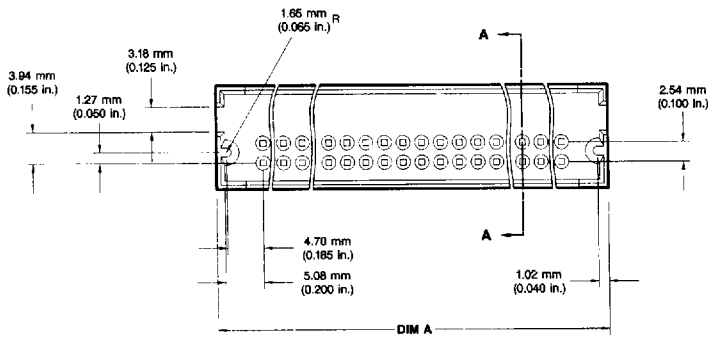
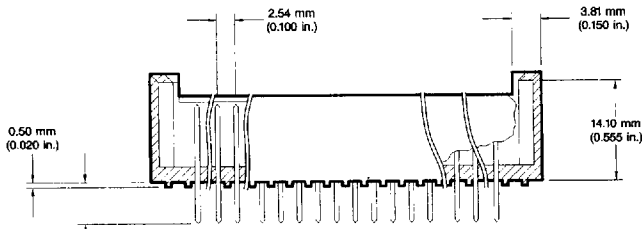


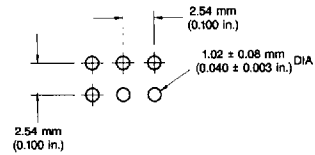
**Description**  
Vertical 2-Row Guide Pin Header



SECTION A-A



DIM L  
(TAIL LENGTH)



RECOMMENDED HOLE PATTERN

A18306-0781

**Ordering Data**

□□□□ - XXX

Base number specifies plating

These digits specify total number of positions per row

**Dimension L/Base Part Number**

Contact Finish	Solder Tail Lengths				Press Fit Tail Lengths								
	mm	in.	mm	in.	mm	in.	mm	in.	mm	in.	mm	in.	
0.38 μm (15 μin.) gold over 1.27 μm (50 μin.) nickel			67274-XXX		67290-XXX		67961-XXX		68831-XXX		68830-XXX		
0.76 μm (30 μin.) gold over 1.27 μm (50 μin.) nickel	68513-XXX		67273-XXX		67289-XXX		67958-XXX		68509-XXX		68251-XXX		
0.76 μm (30 μin.) GXT™ over 1.27 μm (50 μin.) nickel	75850-XXX		68581-XXX		68835-XXX		68833-XXX		68521-XXX		68836-XXX		
3.81 μm (150 μin.) tin-lead			67276-XXX		67292-XXX		69276-XXX		69278-XXX		69280-XXX		
0.76 μm (30 μin.) gold 2.54 μm (100 μin.) tin over 1.27 μm (50 μin.) nickel	90350-XXX		69292-XXX		69284-XXX		69286-XXX		69288-XXX		69290-XXX		

Dash Number-XXX	Size	Dimension A*	
		mm	in.
-005	2 x 5	22.35	0.88
	through		
-050	2 x 50	136.65	5.38

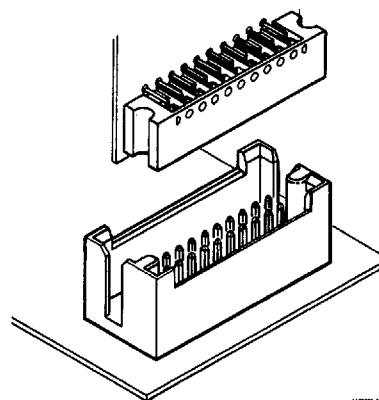
\*For rows 5 through 50, add 2.54 mm (0.100 in.) for each additional row.

Ordering data shown is for our standard product offering. For non-standard or custom products, contact your authorized Berg Electronics representative.

# Shrouded Headers

2.54 x 2.54 mm (0.100 x 0.100 in.)  
Centerlines

## Vertical 2-Row Guide Pin Header BergCon® System



### Features

- 2-Row: 5 through 50 positions per row.
- Guide posts assure header and card connector alignment before contact engagement in card extender applications.
- Card slot provides polarization.
- Four-wall shielding protects pins in unmated condition and prevents misalignment.
- Standoffs allow cleaning to remove soldering contaminants.
- Connector housing will withstand vapor-phase soldering temperatures.


### Options


- Available with retentive leg.
- Available in GXT™ (palladium-nickel alloy with gold flash) plating.
- Available with drawn-wire square pin for soldering or drawn-wire compliant pin for backplane applications.
- Available in Duplex plating

### Specifications

- MIL-G-45205
- MIL-P-55110
- QQ-W-343
- MIL-STD-105

### Approvals and Certifications

 File no. E66906

 File no. LR46923

### Mating Data

Mates with 2-row horizontal and 2-row vertical PV™ card connector with radius end. See page 13-126.

### Technical Data

#### Materials

- Housing material . . . . . Hi-temperature thermoplastic (UL 94 V-0)
  - ▶ Color . . . . . Black
  - ▶ Applicable soldering processes . . . . . IR reflow
- Pin . . . . . Phosphor-bronze

#### Plating

- Underplate . . . . . 1.27 µm (50 µin.) min nickel
- Finish . . . . . 0.38 µm (15 µin.) min gold or 0.76 µm (30 µin.) min gold or 0.76 µm (30 µin.) min GXT™
- Finish . . . . . 3.81 µm (150 µin.) min tin-lead or 0.76 µm (30 µin.) min gold with 2.54 µm (100 µ) tin lead tail

#### Electrical Performance

- Insulation resistance . . . . . 5000 MΩ min
- Withstanding voltage . . . . . 1000 V ac rms (sea level)
- Current rating . . . . . 3 amp continuous

#### Mechanical Performance

- Contact retention . . . . . 13.34 N (3 lbf)

#### Operating Environment

- Temperature range . . . . . -65°C to +130°C

#### Packaging

- Antistatic Tubes

### Customer Support Materials

Description	Order No.	Description	Order No.
Customer Product Drawings . . . . .	By Part Number	Product Samples . . . . .	Upon Request
Product Specifications . . . . .	BUS-12-059	Test Data . . . . .	Upon Request
Application Drawings . . . . .	N/A	Product Substitutions . . . . .	Contact Technical Support