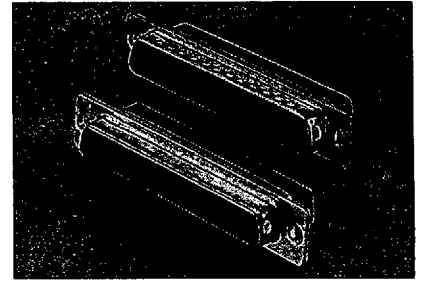


D-SUB CONNECTOR CRIMP TYPE



SPECIFICATION

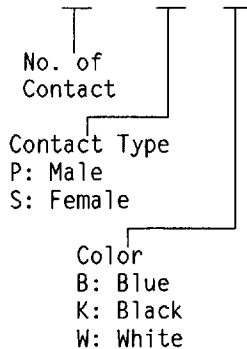
- * Current Rating:
5 A
- * Withstanding Voltage:
1000 VAC (1 min.)
- * Insulation Resistance:
1000 M Ω min.
- * Contact Resistance:
30 m Ω max.
- * Operating Temperature:
-40°C to +85°C

MATERIAL

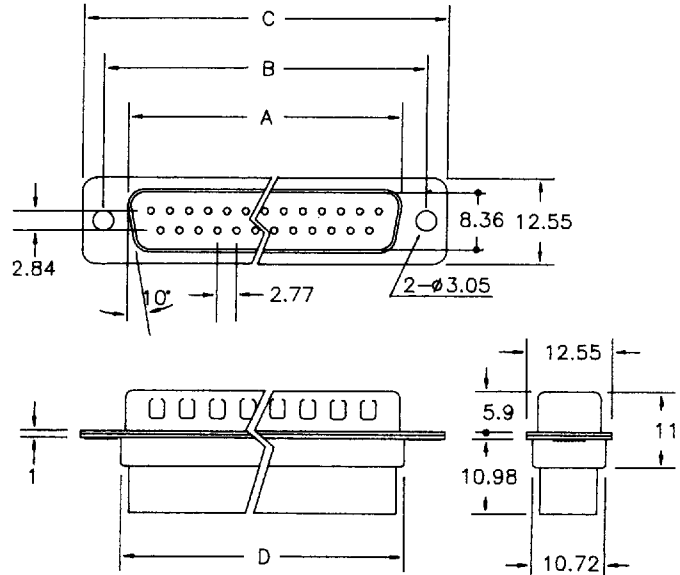
- * Insulator: PBT & 30% G. F.
- * Shell: Stell, Tin Plated

ORDER INFORMATION

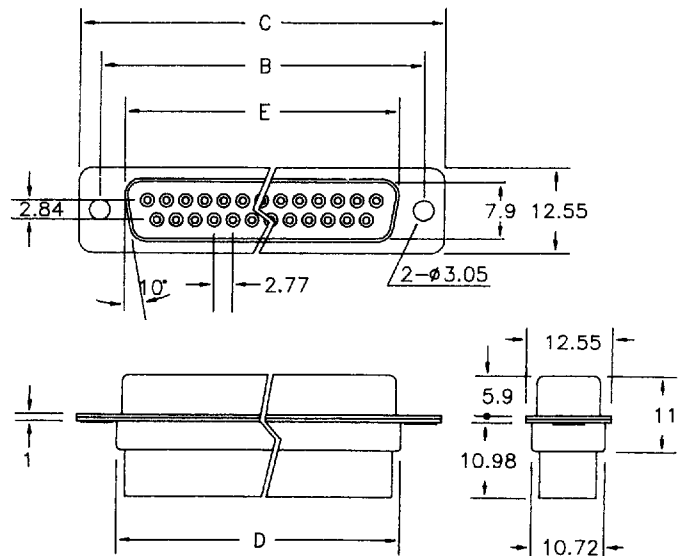
DS-102- XX - X - X



MALE



FEMALE



POS	A	B	C	D	E
9	16.92	24.99	30.81	19.28	16.33
15	25.25	33.32	39.14	27.51	24.66
25	38.96	47.04	53.04	41.30	38.38
37	55.42	63.50	69.32	57.71	54.84
50	52.86	61.11	66.90	55.30	52.34

Specifications are subject to change without notice