

RECTIFIER STACK (CENTER TAP)

5J2C11 600V 5A

MAXIMUM RATINGS

CHARACTERISTIC	SYMBOL	RATING	UNIT
Repetitive Peak Reverse Voltage	V _{RRM}	5B2C11, 5B2Z11	100
		5D2C11, 5D2Z11	200
		5G2C11, 5G2Z11	400
		5J2C11, 5J2Z11	600
Average Output Rectified Current (T _a =65°C) (Fig. 1)	I _o	5	A
Peak One Cycle Surge Forward Current (Non-Repetitive) (T _a =25°C)	I _{FSM}	250(50Hz)	A
Storage Temperature Range	T _{stg}	-20~150	°C
Junction Temperature	T _j	-20~150	°C

ELECTRICAL CHARACTERISTICS

CHARACTERISTIC	SYMBOL	CONDITION	MIN.	TYP.	MAX.	UNIT
Peak Forward Voltage	V _{FM}	I _{FM} =22A, T _a =25°C	-	-	1.2	V
Repetitive Peak Reverse Current	I _{RRM}	V _{RRM} =Rated, T _j =150°C	-	-	2.0	mA

POLARITY

CATHODE COMMON

ANODE COMMON

5B2C11
5D2C11
5G2C11
5J2C11

5B2Z11
5D2Z11
5G2Z11
5J2Z11

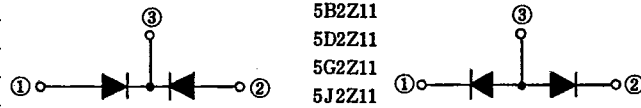
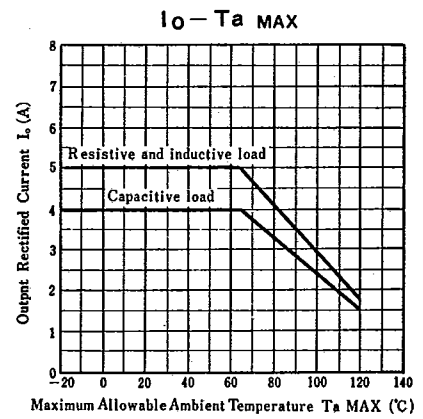
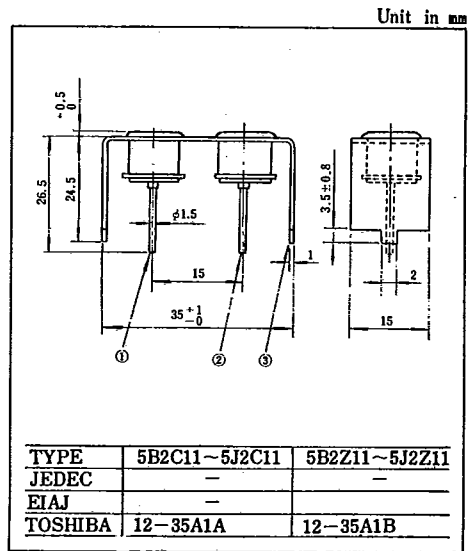
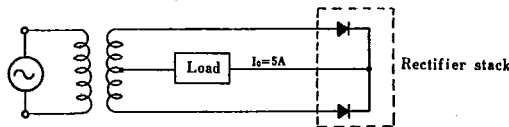


Fig.1 NORMAL CIRCUIT



30J2C11 600V 30A

MAXIMUM RATINGS

CHARACTERISTIC	SYMBOL	RATING	UNIT
Repetitive Peak Reverse Voltage	V _{RRM}	30B2C11, 30B2Z11	100
		30D2C11, 30D2Z11	200
		30G2C11, 30G2Z11	400
		30J2C11, 30J2Z11	600
Average Output Rectified Current (Fig. 1)	I _o	30	A
Peak One-cycle Surge Current (T _a =25°C)	I _{FSM}	250(50Hz)	A
Storage Temperature Range	T _j	-20~150	°C
Junction Temperature	T _{stg}	-20~150	°C

ELECTRICAL CHARACTERISTICS

CHARACTERISTIC	SYMBOL	CONDITION	MIN.	TYP.	MAX.	UNIT
Peak Forward Voltage	V _{RRM}	I _{FM} =22A, T _a =25°C	-	-	1.2	V
Repetitive Peak Reverse Current	I _{RRM}	V _{RRM} =Rated, T _j =150°C	-	-	2.0	mA

POLARITY

CATHODE COMMON

ANODE COMMON

30B2C11
30D2C11
30G2C11
30J2C11

30B2Z11
30D2Z11
30G2Z11
30J2Z11

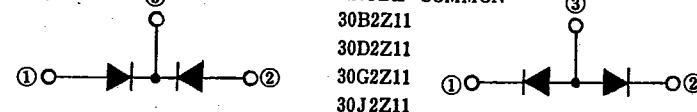


Fig.1 NORMAL CIRCUIT

