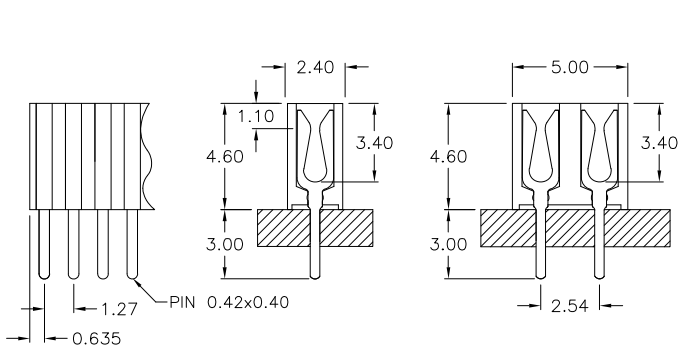
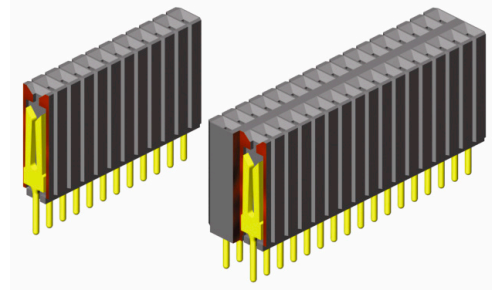
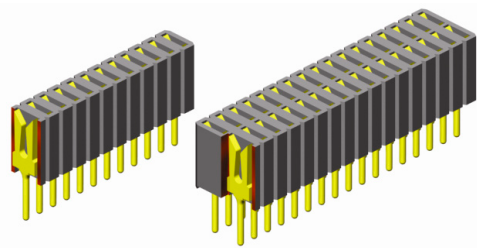
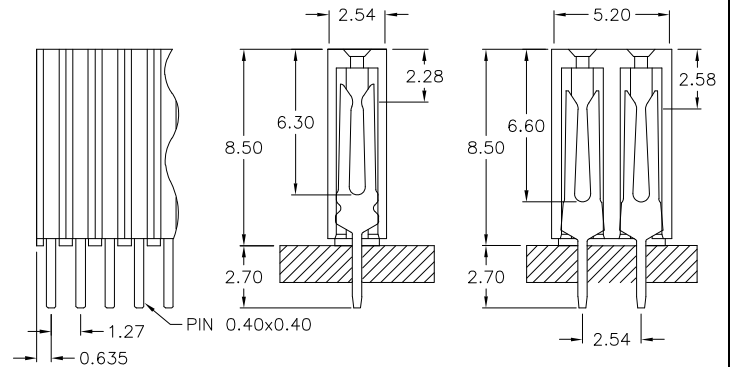


1.27mm pitch Female Header  
 -THT- 1.27mm x 2.54mm dual row



**S 460**

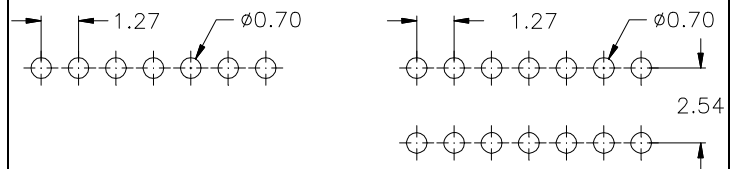


**S 850**

**SPECIFICATIONS**

Current rating	1 A
Insulator resistance	1000 MΩ min.
Contact resistance	20 mΩ max.
Withstanding voltage	500 V AC
Operating temperature	- 40°C to +105°C
Contact material (RoHS compliant)	Phosphor Bronze
Insulator material (RoHS compliant)	LCP UL 94 V-0

**PCB Hole Layout**



**APPLICATION AND FEATURES**

Standard & low profile types  
 Hi-rel fork contact design  
 Mates with 0.46mm square or round Pin Header

**How to order**

**BL x - xxx - S xxx - 55 /1**

Rows	Nbr of contacts	Version (height above board)	Plating
<b>1</b> = single row <b>2</b> = dual row	<b>version 460</b> single row = <b>003</b> to <b>040</b> dual row = <b>006</b> to <b>080</b>	<b>460</b> = 4.60 mm	<b>55</b> = gold  Other platings on request
	<b>version 850</b> single row = <b>003</b> to <b>035</b> dual row = <b>006</b> to <b>070</b>	<b>850</b> = 8.50 mm	