



64K (8K x 8) Static RAM

Features

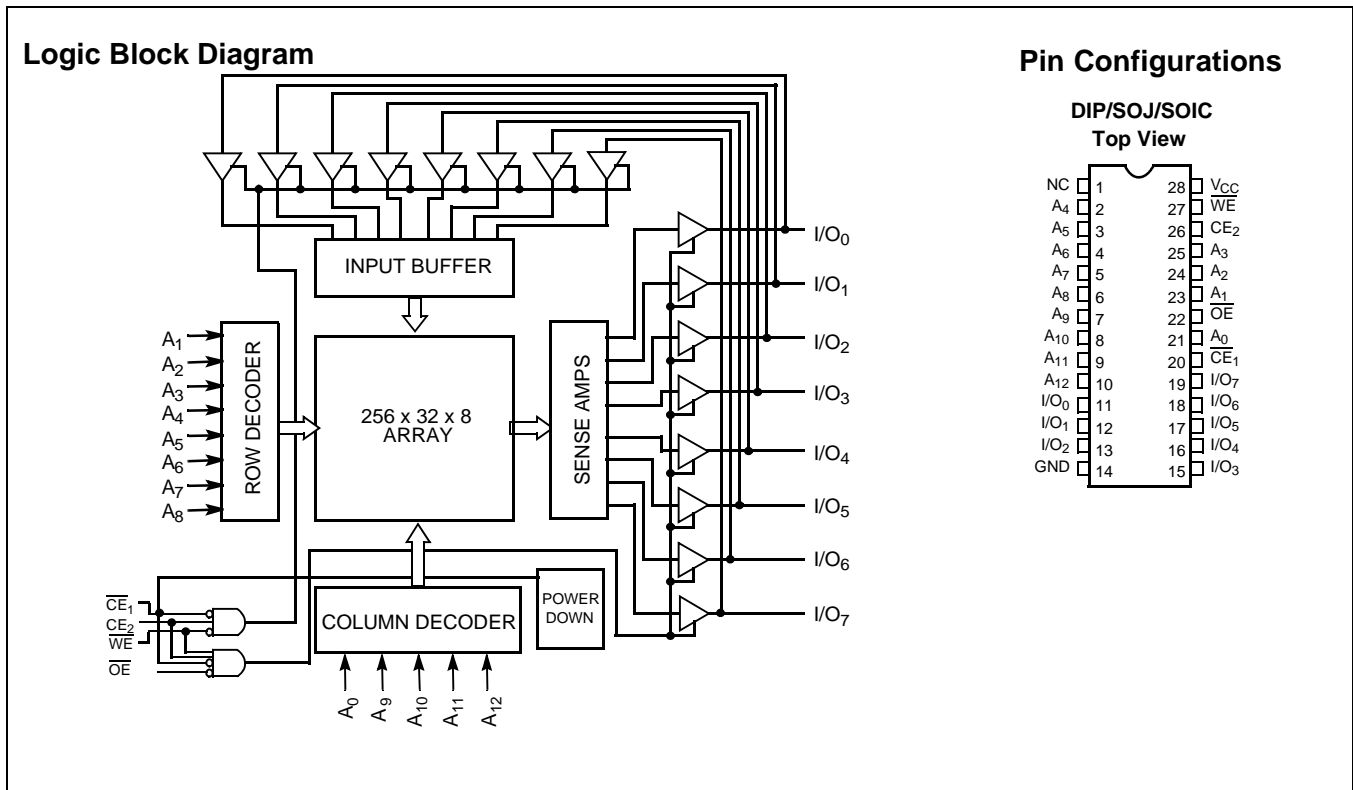
- Pin- and function-compatible with CY7C185
- High speed
 - $t_{AA} = 10 \text{ ns}$
- Low active power
 - $I_{CC} = 60 \text{ mA @ } 10 \text{ ns}$
- Low CMOS standby power
 - $I_{SB2} = 3 \text{ mA}$
- CMOS for optimum speed/power
- Data Retention at 2.0V
- Easy memory expansion with \overline{CE}_1 , CE_2 , and \overline{OE} features
- TTL-compatible inputs and outputs
- Automatic power-down when deselected
- Available in Lead (Pb)-Free Packages

Functional Description^[1]

The CY7C185D is a high-performance CMOS static RAM organized as 8192 words by 8 bits. Easy memory expansion is provided by an active LOW chip enable (\overline{CE}_1), an active HIGH chip enable (CE_2), and active LOW output enable (\overline{OE}) and three-state drivers. This device has an automatic power-down feature (\overline{CE}_1 or CE_2), reducing the power consumption when deselected.

An active LOW write enable signal (\overline{WE}) controls the writing/reading operation of the memory. When \overline{CE}_1 and \overline{WE} inputs are both LOW and CE_2 is HIGH, data on the eight data input/output pins (I/O_0 through I/O_7) is written into the memory location addressed by the address present on the address pins (A_0 through A_{12}). Reading the device is accomplished by selecting the device and enabling the outputs, \overline{CE}_1 and \overline{OE} active LOW, CE_2 active HIGH, while \overline{WE} remains inactive or HIGH. Under these conditions, the contents of the location addressed by the information on address pins are present on the eight data input/output pins.

The input/output pins remain in a high-impedance state unless the chip is selected, outputs are enabled, and write enable (\overline{WE}) is HIGH. The CY7C185D is in a standard 28-pin 300-mil-wide DIP, SOJ, or SOIC Pb-Free package.



Note:

1. For guidelines on SRAM system design, please refer to the 'System Design Guidelines' Cypress application note, available on the internet at www.cypress.com.

Selection Guide

	CY7C185D-10	CY7C185D-12	CY7C185D-15	Unit
Maximum Access Time	10	12	15	ns
Maximum Operating Current	60	50	40	mA
Maximum Standby Current	3	3	3	mA



Maximum Ratings

(Above which the useful life may be impaired. For user guidelines, not tested.)

- Storage Temperature -65°C to +150°C
- Ambient Temperature with Power Applied..... -55°C to +125°C
- Supply Voltage to Ground Potential -0.5V to +7.0V
- DC Voltage Applied to Outputs in High-Z State^[2] -0.5V to V_{CC} + 0.5V

- DC Input Voltage^[2]..... -0.5V to V_{CC} + 0.5V
- Output Current into Outputs (LOW)..... 20 mA
- Static Discharge Voltage..... > 2001V (per MIL-STD-883, Method 3015)
- Latch-up Current..... > 200 mA

Operating Range

Range	Ambient Temperature	V _{CC}
Commercial	0°C to +70°C	5V ± 10%
Industrial	-40°C to +85°C	5V ± 10%

Electrical Characteristics Over the Operating Range

Parameter	Description	Test Conditions	7C185D-10		7C185D-12		Unit
			Min.	Max.	Min.	Max.	
V _{OH}	Output HIGH Voltage	V _{CC} = Min., I _{OH} = -4.0 mA	2.4		2.4		V
V _{OL}	Output LOW Voltage	V _{CC} = Min., I _{OL} = 8.0 mA		0.4		0.4	V
V _{IH}	Input HIGH Voltage		2.0	V _{CC} + 0.3V	2.0	V _{CC} + 0.3V	V
V _{IL}	Input LOW Voltage ^[2]		-0.5	0.8	-0.5	0.8	V
I _{IX}	Input Load Current	GND ≤ V _I ≤ V _{CC}	-1	+1	-1	+1	μA
I _{OZ}	Output Leakage Current	GND ≤ V _I ≤ V _{CC} , Output Disabled	-1	+1	-1	+1	μA
I _{OS}	Output Short Circuit Current ^[3]	V _{CC} = Max., V _{OUT} = GND		-300		-300	mA
I _{CC}	V _{CC} Operating Supply Current	V _{CC} = Max., I _{OUT} = 0 mA		60		50	mA
I _{SB1}	Automatic Power-down Current	Max. V _{CC} , CE ₁ ≥ V _{IH} or CE ₂ ≤ V _{IL} Min. Duty Cycle = 100%		10		10	mA
I _{SB2}	Automatic Power-down Current	Max. V _{CC} , CE ₁ ≥ V _{CC} - 0.3V, or CE ₂ ≤ 0.3V V _{IN} ≥ V _{CC} - 0.3V or V _{IN} ≤ 0.3V		3.0		3.0	mA
Parameter	Description	Test Conditions	7C185D-15		Unit		
			Min.	Max.			
V _{OH}	Output HIGH Voltage	V _{CC} = Min., I _{OH} = -4.0 mA		2.4		V	
V _{OL}	Output LOW Voltage	V _{CC} = Min., I _{OL} = 8.0 mA			0.4	V	
V _{IH}	Input HIGH Voltage			2.0	V _{CC} + 0.3V	V	
V _{IL}	Input LOW Voltage ^[2]			-0.5	0.8	V	
I _{IX}	Input Load Current	GND ≤ V _I ≤ V _{CC}		-1	+1	μA	
I _{OZ}	Output Leakage Current	GND ≤ V _I ≤ V _{CC} , Output Disabled		-1	+1	μA	
I _{OS}	Output Short Circuit Current ^[3]	V _{CC} = Max., V _{OUT} = GND			-300	mA	
I _{CC}	V _{CC} Operating Supply Current	V _{CC} = Max., I _{OUT} = 0 mA			40	mA	
I _{SB1}	Automatic Power-down Current	Max. V _{CC} , CE ₁ ≥ V _{IH} or CE ₂ ≤ V _{IL} Min. Duty Cycle = 100%			10	mA	
I _{SB2}	Automatic Power-down Current	Max. V _{CC} , CE ₁ ≥ V _{CC} - 0.3V or CE ₂ ≤ 0.3V V _{IN} ≥ V _{CC} - 0.3V or V _{IN} ≤ 0.3V			3.0	mA	

Capacitance^[4]

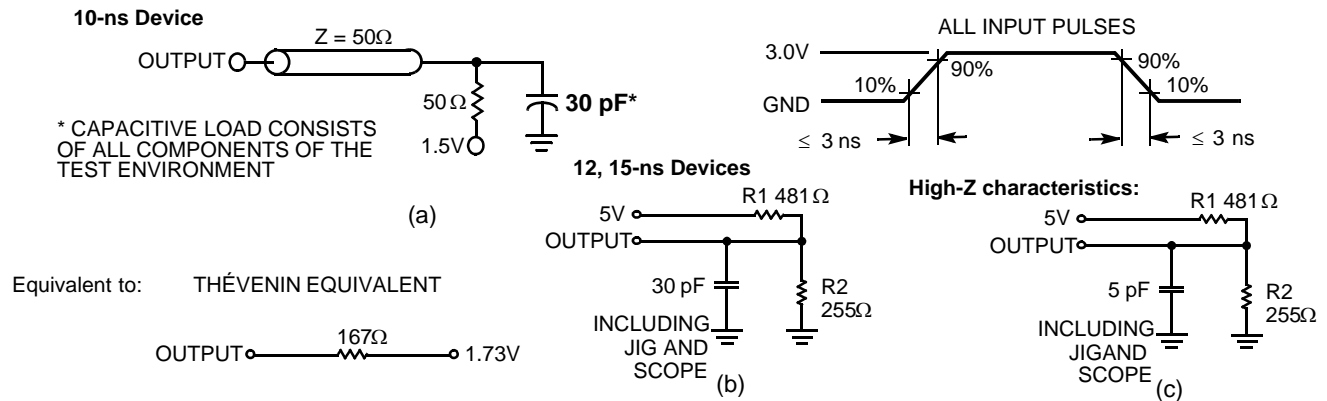
Parameter	Description	Test Conditions	Max.	Unit
C _{IN}	Input Capacitance	T _A = 25°C, f = 1 MHz, V _{CC} = 5.0V	7	pF
C _{OUT}	Output Capacitance		7	pF

Notes:

2. V_{IL} (min.) = -2.0V and V_{IH} (max) = V_{CC} + 2V for pulse durations of less than 20 ns.
3. Not more than 1 output should be shorted at one time. Duration of the short circuit should not exceed 30 seconds.
4. Tested initially and after any design or process changes that may affect these parameters.

Thermal Resistance^[4]

Parameter	Description	Test Conditions	All-Packages	Unit
Θ_{JA}	Thermal Resistance (Junction to Ambient) ^[4]	Still Air, soldered on a 3 x 4.5 inch, two-layer printed circuit board	TBD	°C/W
Θ_{JC}	Thermal Resistance (Junction to Case) ^[4]		TBD	°C/W

AC Test Loads and Waveforms

Switching Characteristics Over the Operating Range^[6]

Parameter	Description	7C185D-10		7C185D-12		7C185D-15		Unit
		Min.	Max.	Min.	Max.	Min.	Max.	
Read Cycle								
$t_{power}^{[5]}$	V_{CC} (typical) to the first access	100		100		100		μ s
t_{RC}	Read Cycle Time	10		12		15		ns
t_{AA}	Address to Data Valid		10		12		15	ns
t_{OHA}	Data Hold from Address Change	3		3		3		ns
t_{ACE1}	\overline{CE}_1 LOW to Data Valid		10		12		15	ns
t_{ACE2}	CE_2 HIGH to Data Valid		10		12		15	ns
t_{DOE}	\overline{OE} LOW to Data Valid		5		6		8	ns
t_{LZOE}	\overline{OE} LOW to Low Z	3		3		3		ns
t_{HZOE}	\overline{OE} HIGH to High Z ^[7]		5		6		7	ns
t_{LZCE1}	\overline{CE}_1 LOW to Low Z ^[8]	3		3		3		ns
t_{LZCE2}	CE_2 HIGH to Low Z	3		3		3		ns
t_{HZCE}	\overline{CE}_1 HIGH to High Z ^[7, 8] CE_2 LOW to High Z		5		6		7	ns
t_{PU}	\overline{CE}_1 LOW to Power-Up CE_2 to HIGH to Power-Up	0		0		0		ns
t_{PD}	\overline{CE}_1 HIGH to Power-Down CE_2 LOW to Power-Down		10		12		15	ns

Notes:

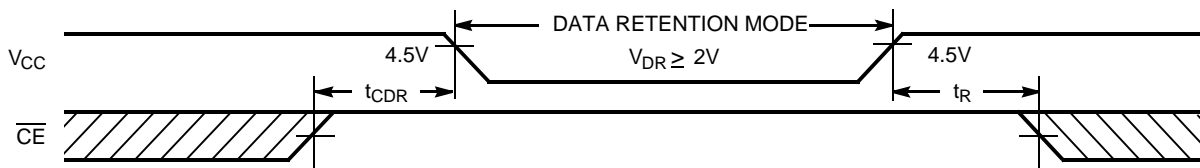
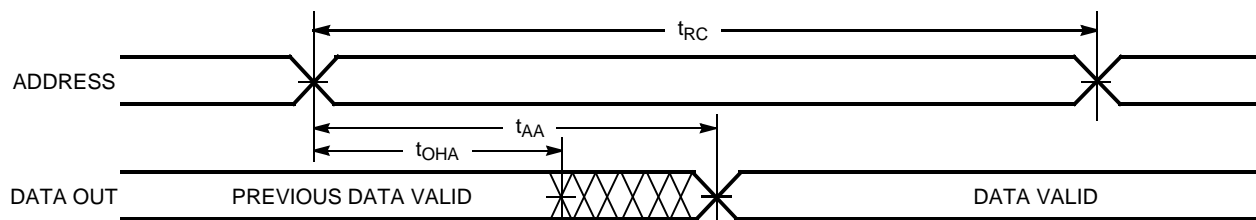
- t_{power} gives the minimum amount of time that the power supply should be at typical V_{CC} values until the first memory access can be performed.
- Test conditions assume signal transition time of 3 ns or less, timing reference levels of 1.5V, input pulse levels of 0 to 3.0V, and output loading of the specified I_{OL}/I_{OH} and 30-pF load capacitance.
- t_{HZOE} , t_{HZCE} , and t_{HZWE} are specified with $C_L = 5$ pF as in part (b) of AC Test Loads. Transition is measured ± 200 mV from steady state voltage.
- At any given temperature and voltage condition, t_{HZCE} is less than t_{LZCE1} and t_{LZCE2} for any given device.

Switching Characteristics Over the Operating Range (continued)^[6]

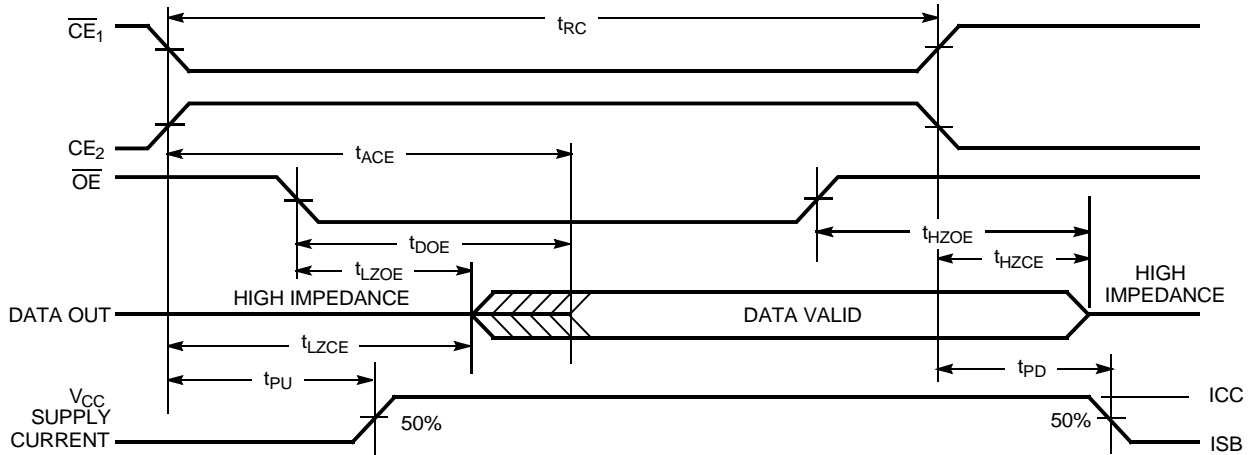
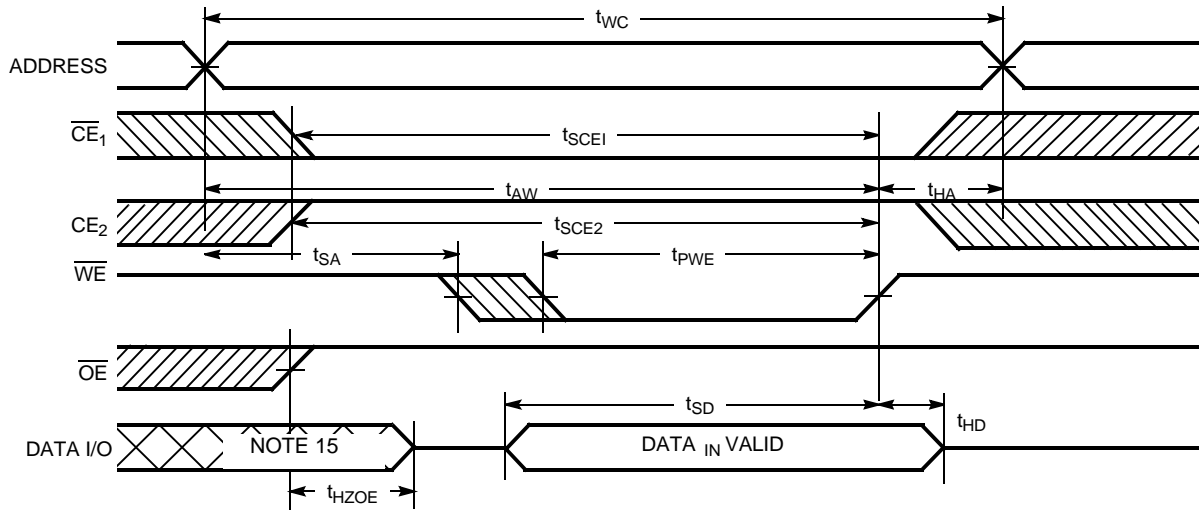
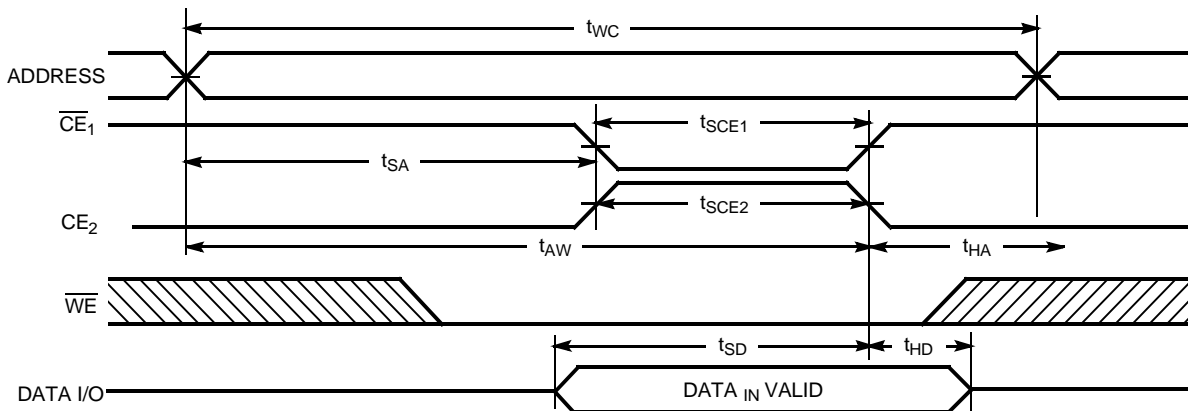
Parameter	Description	7C185D-10		7C185D-12		7C185D-15		Unit
		Min.	Max.	Min.	Max.	Min.	Max.	
Write Cycle^[9]								
t_{WC}	Write Cycle Time	10		12		15		ns
t_{SCE1}	\overline{CE}_1 LOW to Write End	8		10		12		ns
t_{SCE2}	CE_2 HIGH to Write End	8		10		12		ns
t_{AW}	Address Set-up to Write End	7		10		12		ns
t_{HA}	Address Hold from Write End	0		0		0		ns
t_{SA}	Address Set-up to Write Start	0		0		0		ns
t_{PWE}	\overline{WE} Pulse Width	7		10		12		ns
t_{SD}	Data Set-up to Write End	6		7		8		ns
t_{HD}	Data Hold from Write End	0		0		0		ns
t_{HZWE}	\overline{WE} LOW to High Z ^[7]		6		6		7	ns
t_{LZWE}	\overline{WE} HIGH to Low Z	3		3		3		ns

Data Retention Characteristics (Over the Operating Range)

Parameter	Description	Conditions	Min.	Max.	Unit
V_{DR}	V_{CC} for Data Retention		2.0		V
I_{CCDR}	Data Retention Current	Non-L, Com'l / Ind'l	$V_{CC} = V_{DR} = 2.0V$, $CE \geq V_{CC} - 0.3V$, $V_{IN} \geq V_{CC} - 0.3V$ or $V_{IN} \leq 0.3V$	3	mA
		L-Version Only		1.2	mA
t_{CDR} ^[4]	Chip Deselect to Data Retention Time		0		ns
t_R ^[10]	Operation Recovery Time		t_{RC}		ns

Data Retention Waveform

Switching Waveforms
Read Cycle No.1^[11,12]

Notes:

9. The internal write time of the memory is defined by the overlap of \overline{CE}_1 LOW, CE_2 HIGH, and \overline{WE} LOW. All 3 signals must be active to initiate a write and either signal can terminate a write by going HIGH. The data input set-up and hold timing should be referenced to the rising edge of the signal that terminates the write.
10. Full device operation requires linear V_{CC} ramp from V_{DR} to $V_{CC(min.)} \geq 50 \mu s$ or stable at $V_{CC(min.)} \geq 50 \mu s$.
11. Device is continuously selected. OE , $\overline{CE}_1 = V_{IL}$. $CE_2 = V_{IH}$.
12. \overline{WE} is HIGH for read cycle.

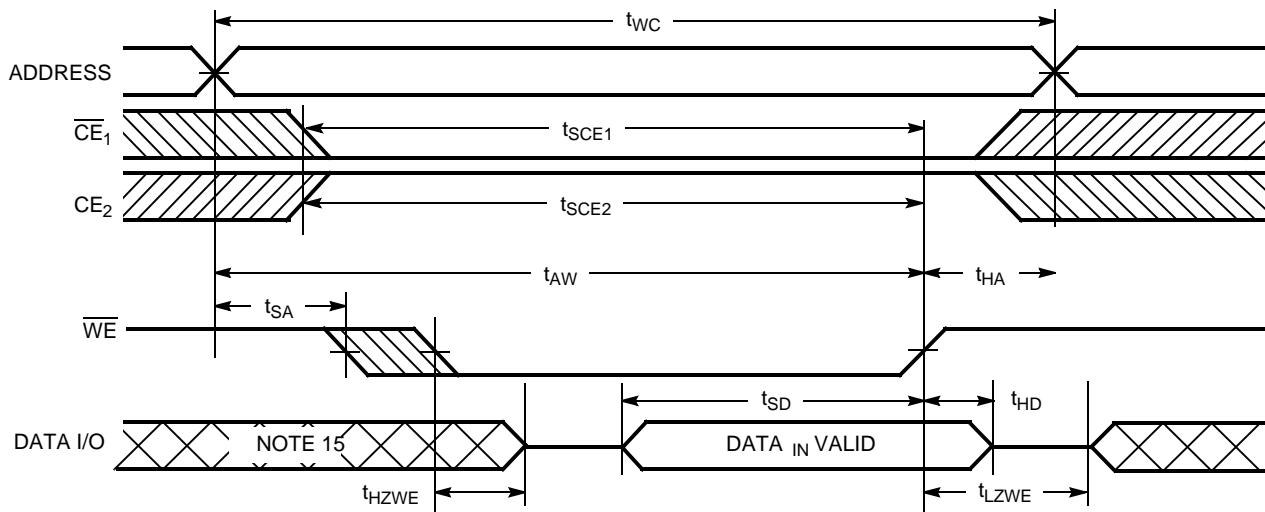
Switching Waveforms (continued)
Read Cycle No.2^[13,14]

Write Cycle No. 1 (WE Controlled)^[12,14]

Write Cycle No. 2 (CE Controlled)^[14,15,16]

Notes:

13. Data I/O is High Z if $\overline{OE} = V_{IH}$, $\overline{CE}_1 = V_{IH}$, $\overline{WE} = V_{IL}$, or $CE_2 = V_{IL}$.

14. The internal write time of the memory is defined by the overlap of \overline{CE}_1 LOW, CE_2 HIGH and \overline{WE} LOW. \overline{CE}_1 and \overline{WE} must be LOW and CE_2 must be HIGH to initiate write. A write can be terminated by \overline{CE}_1 or \overline{WE} going HIGH or CE_2 going LOW. The data input set-up and hold timing should be referenced to the rising edge of the signal that terminates the write.

15. During this period, the I/Os are in the output state and input signals should not be applied.

16. The minimum write cycle time for write cycle #3 (WE controlled, \overline{OE} LOW) is the sum of t_{HZWE} and t_{SD} .

Switching Waveforms (continued)
Write Cycle No. 3 (\overline{WE} Controlled, \overline{OE} LOW)^[14,15,16,17]

Truth Table

\overline{CE}_1	\overline{CE}_2	\overline{WE}	\overline{OE}	Input/Output	Mode
H	X	X	X	High Z	Deselect/Power-down
X	L	X	X	High Z	Deselect/Power-down
L	H	H	L	Data Out	Read
L	H	L	X	Data In	Write
L	H	H	H	High Z	Deselect

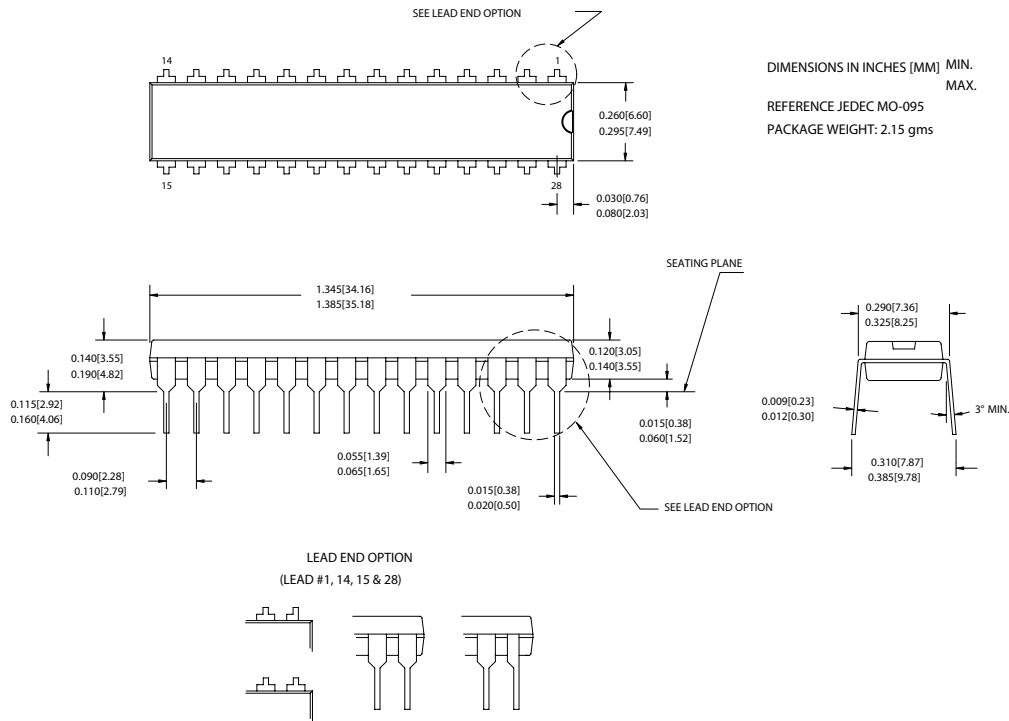
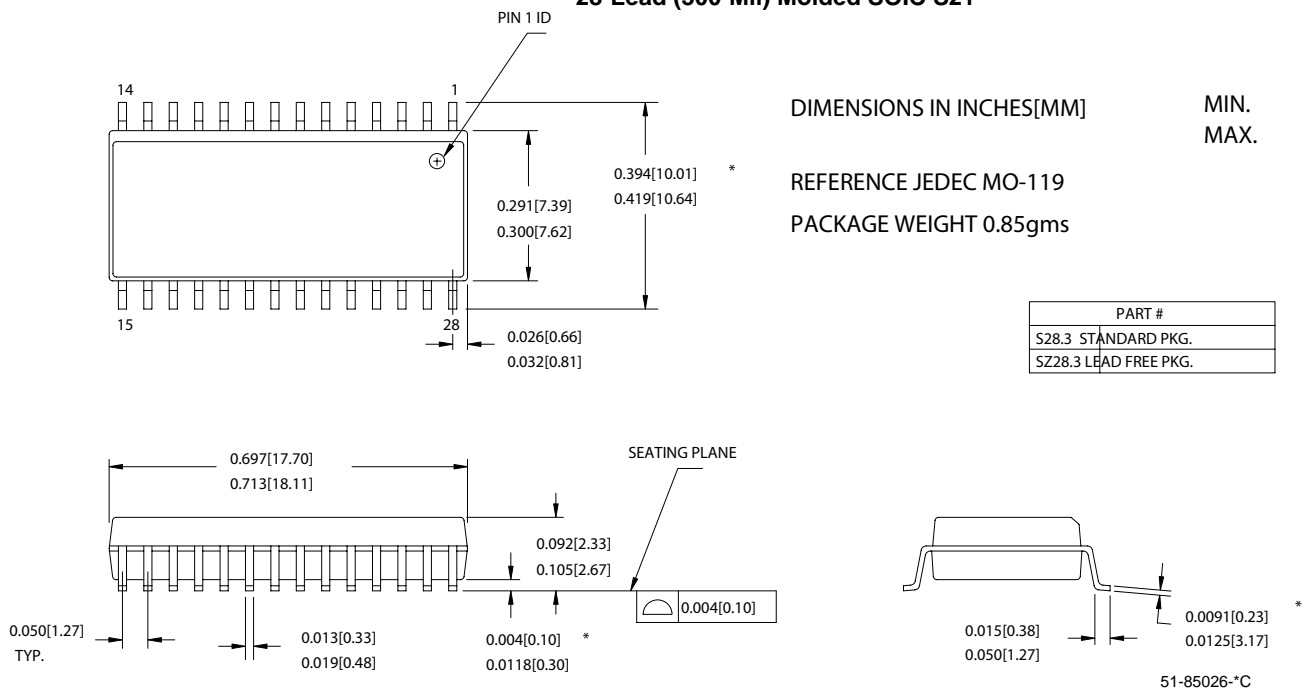
Ordering Information

Speed (ns)	Ordering Code	Package Name	Package Type	Operating Range
10	CY7C185D-10PXC	P21	28-Lead (300-Mil) Molded DIP (Pb-Free)	Commercial
	CY7C185D-10SXC	S21	28-Lead Molded SOIC (Pb-Free)	
	CY7C185D-10VXC	V21	28-Lead Molded SOJ (Pb-Free)	
	CY7C185D-10VXI	V21	28-Lead Molded SOJ (Pb-Free)	Industrial
12	CY7C185D-12PXC	P21	28-Lead (300-Mil) Molded DIP (Pb-Free)	Commercial
	CY7C185D-12SXC	S21	28-Lead Molded SOIC (Pb-Free)	
	CY7C185D-12VXC	V21	28-Lead Molded SOJ (Pb-Free)	
	CY7C185D-12VXI	V21	28-Lead Molded SOJ (Pb-Free)	Industrial
15	CY7C185D-15PXC	P21	28-Lead (300-Mil) Molded DIP (Pb-Free)	Commercial
	CY7C185D-15SXC	S21	28-Lead Molded SOIC (Pb-Free)	
	CY7C185D-15VXC	V21	28-Lead Molded SOJ (Pb-Free)	
	CY7C185D-15VXI	V21	28-Lead Molded SOJ (Pb-Free)	Industrial

Shaded areas contain advance information. Please contact your local Cypress sales representative for availability of these parts.

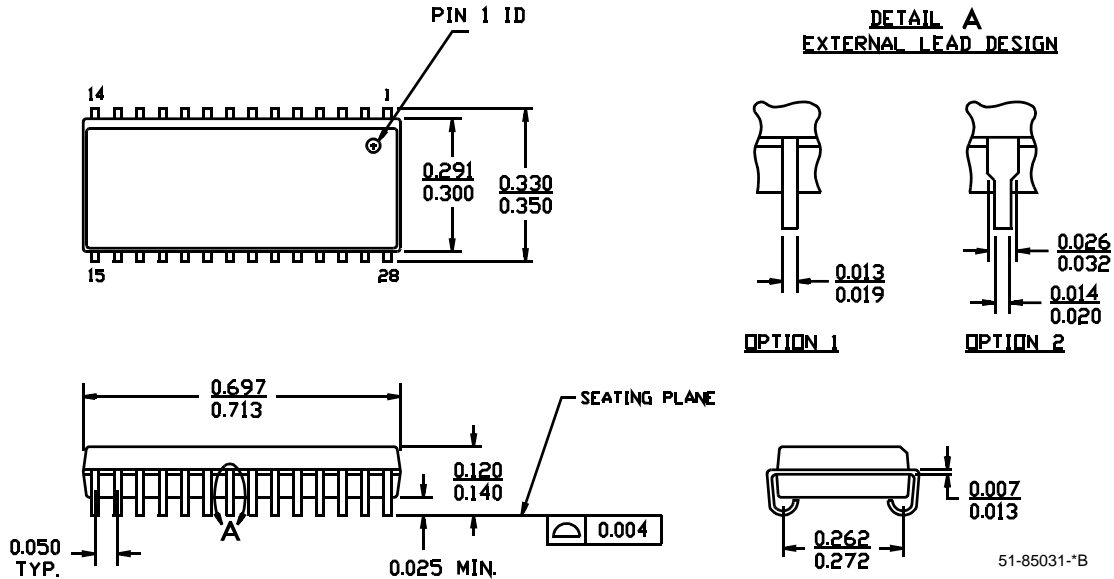
Note:

 17. If \overline{CE}_1 goes HIGH or \overline{CE}_2 goes LOW simultaneously with \overline{WE} HIGH, the output remains in a high-impedance state.

Package Diagrams
28-Lead (300-Mil) PDIP P21

28-Lead (300-Mil) Molded SOIC S21


Package Diagrams (continued)

28-Lead (300-Mil) Molded SOJ V21
 DIMENSIONS IN INCHES MIN.
MAX.



All product and company names mentioned in this document may be the trademarks of their respective holders.

Document History Page

Document Title: CY7C185D 64K (8K x 8) Static RAM (Preliminary) Document Number: 38-05466				
REV.	ECN NO.	Issue Date	Orig. of Change	Description of Change
**	201560	See ECN	SWI	Advance Datasheet for C9 IPP
*A	233715	See ECN	RKF	DC parameters are modified as per EROS (Spec # 01-2165) Pb-free offering in Ordering Information
*B	262950	See ECN	RKF	Added T _{power} Spec in Switching Characteristics table Added Data Retention Characteristics table and waveforms Shaded Ordering Information
*C	307593	See ECN	RKF	1) Reduced Speed bins to -10, -12 and -15 ns 2) Added 'Industrial' grade parts to the Ordering Info on Page #6