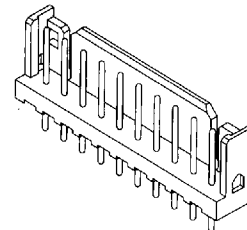
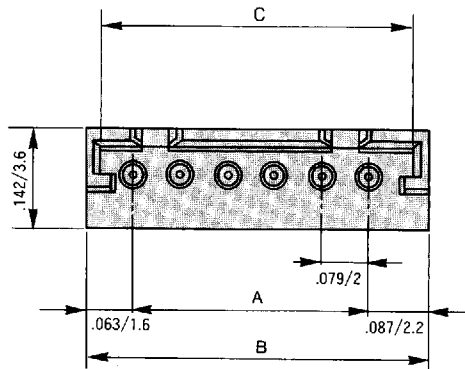


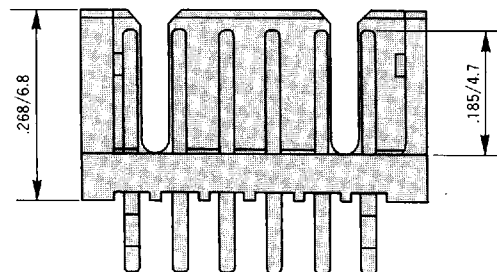
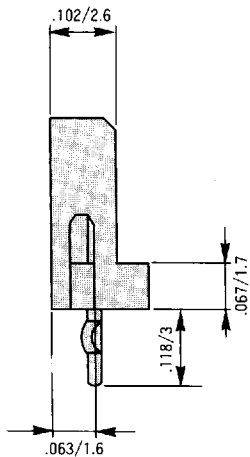
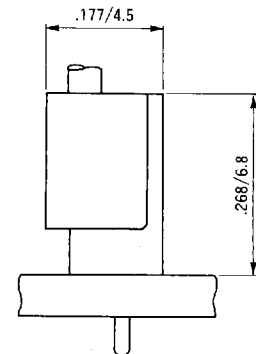
SERIES

8283

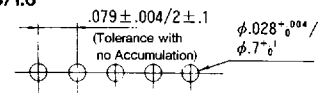
PLUG  
STRAIGHT



Mating Condition



P.C. Board Through Hole Dimension  
t = .047/1.2 ~ .063/1.6



ORDERING CODE

Typical Example

00 8283 02 12 00 000

Dimensions inches/mm

NUMBER OF CONTACTS

No. of Pos.	A	B	C	No. of Tube Packaging(Units)
02	.079/ 2	.228/ 5.8	.197/ 5	82
03	.157/ 4	.307/ 7.8	.276/ 7	60
04	.236/ 6	.386/ 9.8	.354/ 9	48
05	.315/ 8	.465/11.8	.433/11	40
06	.394/10	.543/13.8	.512/13	34
07	.472/12	.622/15.8	.591/15	29
08	.551/14	.701/17.8	.669/17	26
09	.630/16	.780/19.8	.748/19	23
10	.709/18	.858/21.8	.827/21	21
11	.787/20	.937/23.8	.906/23	19
12	.866/22	1.016/25.8	.984/25	18
13	.945/24	1.095/27.8	1.063/27	17
14	1.024/26	1.174/29.8	1.142/29	16
15	1.102/28	1.253/31.8	1.220/31	15

A = 2 × (No. of position - 1) / 0.07874 × (No. of position - 1)  
 B = 2 × (No. of position - 1) + 3.8 / 0.07874 × (No. of position - 1) + .150  
 C = 2 × (No. of position - 1) + 3 / 0.07874 × (No. of position - 1) + .118

PLUG ASSEMBLY

2: Straight

COLOR

000: Natural (White) 001: Black 002: Red 003: Yellow

## Features

### Series 8283

A high-density and low-profile tin-plated connector having the height above the board of .268"/6.8mm for straight mounting and of .193"/4.9mm for right angle mounting and .079"/2.0mm spacing. A mating of receptacle contact with male pins is of high reliability multi-contact structure preventing fretting corrosion. The contact precludes entanglement in crimping because it has the construction to absorb dispersion of cable conductor strip length (.118 to .150"/3 to 3.8mm) in harnessing.

### Series 9073

A board-in type connector for inserting contacts directly into a board.

The connector includes both types of right angle mounting and straight mounting. The height above the board is .130"/3.3 mm for right angle mounting and .220"/5.6mm for straight mounting, hence a low-profile design. The connector features the use of the same insulator either for straight type or for right angle type.

## Specifications

### Series 8283

Number of Positions	2 to 15
Contact Spacing	.079"/2.0mm
Height on PC Board	.193"/4.9mm(Right Angle) .268"/6.8mm(Straight)
Wire-Size	AWG #24-#30
Current Rating	1A Maximum
Voltage Rating	125V Maximum
Dielectric Withstanding Voltage	1000 Vrms/min. at see level
Contact Material	Pre-tinned Phosphor Bronze
Post Material	Brass, Plating-Tin over Copper
Insulator Material	Nylon 66 UL 94V-0
Insulator Color	Natural(White), Black, Red and Yellow
UL File No.	E67646

### Series 9073

Number of Positions	2 to 16 position
Contact Spacing	.079"/2.0mm
Height on PC Board	.220"/5.6mm(Straight) .130"/3.3mm(Right Angle)
Wire size	AWG#24~#30
Current Rating	1A Maximum
Voltage Rating	125V Maximum
Dielectric Withstanding Voltage	1000Vrms/min.
Contact Material	Brass, Plating-Tin over Copper
Insulator Material	Nylon 66 UL 94-0
Insulator Color	Natural(White)