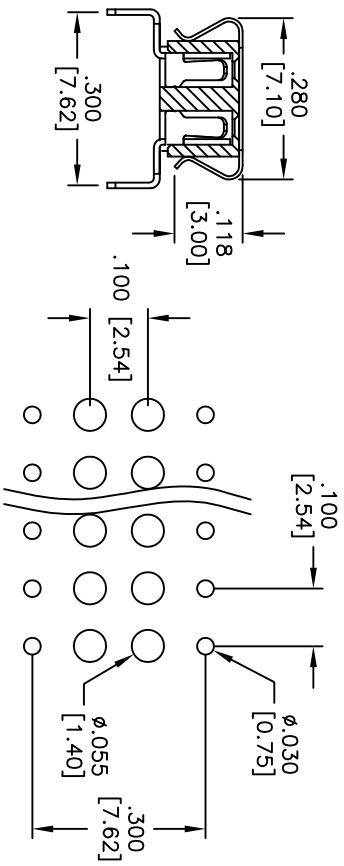
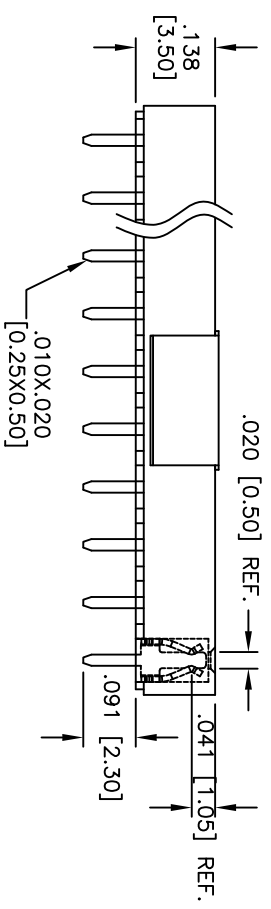
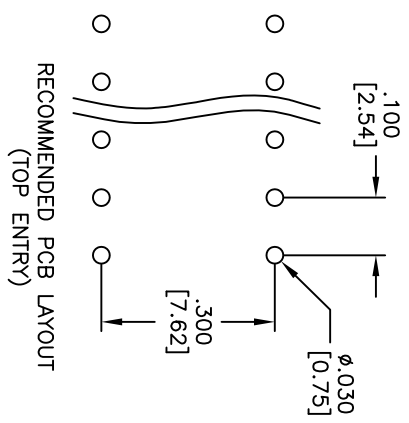
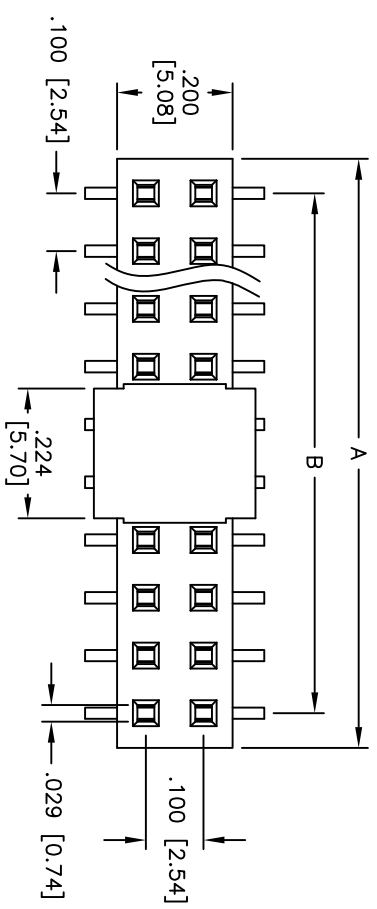


Rev	AWO #	Description	Date	Appr
-		RELEASED	3/26/09	

APPROVED: \_\_\_\_\_ TITLE: \_\_\_\_\_  
 DATE: \_\_\_\_\_



PACKAGED ON TAPE & REEL

RECOMMENDED PCB LAYOUT  
(BOTTOM ENTRY)

Positions: 02 thru 40 per row  
 A = .100 [2.54] X No. of Positions per row + .020 [0.50]  
 B = .100 [2.54] X No. of Spaces per row

**SPECIFICATIONS:**  
 Material: Nylon 6T, rated UL 94V-0  
 Insulator color: Black  
 Contacts: Phosphor Bronze  
 Plating:  
 Gold flash over Nickel underplate overall  
 Electrical:  
 Operating voltage: 250 VAC max  
 Current rating: 3 Amps max  
 Contact resistance: 20 Mohms max @ 500 VDC  
 Insulation resistance: 1000 Mohms min @ 500 VDC  
 Dielectric withstanding voltage: 600 VAC for 1 minute  
 Temperature Rating:  
 Operating temperature: -40°C to +105°C

**Environmental:**  
 Lead free, RoHS compliant.  
 Recommended soldering temp: 260°C for 5 sec.



**ADAM TECH**

909 Rahway Avenue, Union, NJ 07083  
 Phone: 908-687-5000 Fax: 908-687-5710

TITLE: .100 X .100 DUAL ROW RECEPTACLE STRIP  
 LOW PROFILE, GOLD PLATED

UNLESS OTHERWISE SPECIFIED ALL DIMENSIONS ARE INCHES [MM]		TOLERANCES: EXCEPT AS NOTED	
INCHES		HOLDERS	
.X	± .10	ØXX	± .10
.XX	± .020	ØXXX	± .015
.XXX	± .015	ØXXXX	± .010
APPROVALS			
DRAWN	DY	DATE	3/26/09
CHECKED			
APPROVED			
SIZE	PART NO.	REV.	
X	RS2BE-C-XX-G-1P-HT-PP-T/R	-	
REF:	S00039T	SCALE:	NTS
		SHEET:	1 OF 1