

FEATURES

UNPOLARIZED, SIZES 10 THROUGH 60 POSITIONS AVAILABLE.

"BARBED" CONTACTS FOR IMPROVED COVER RETENTION.

"TUNING FORK" TYPE CONTACT FOR HIGHLY RELIABLE CONNECTIONS UNDER SHOCK AND VIBRATION CONDITIONS.

ACCEPTS 26 AND 28 AWG .050 PITCH RIBBON CABLE, (SEE PAGE D1).

STRAIN RELIEFS ARE AVAILABLE IN STANDARD CONFIGURATION AND WITH LATCHES FOR LOCKING TO SHROUDED HEADERS. (SEE PAGES A5 & A6)

STANDARD PLATINGS OF GOLD FLASH, 15 μ GOLD AND 30 μ GOLD DEPENDING ON YOUR DURABILITY NEEDS. NON-STANDARD PLATINGS ARE AVAILABLE, CONSULT FACTORY.

ACCEPTS 6300-0145 KEYING PLUG, CAN ALSO BE MOLDED IN, SEE PAGES A7 & A8 FOR ORDERING INFORMATION.

SPECIFICATIONS:

MATERIALS & PLATING:

CONTACT:	PHOSPHOR BRONZE
BODY & COVER:	30% GLASS FILLED POLYESTER, UL 94V-0, BLACK
PLATING:	SELECTIVE GOLD AND TIN/LEAD OVER 50 μ NICKEL

MECHANICAL:

INSERTION FORCE:	10 OZ. (284 GRAMS) MAX.
SEPARATION FORCE:	1 OZ. (28.4 GRAMS) MIN.

ELECTRICAL:

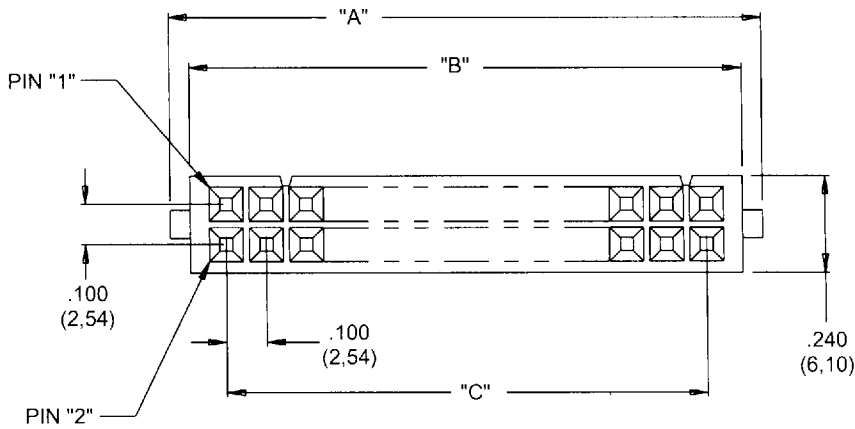
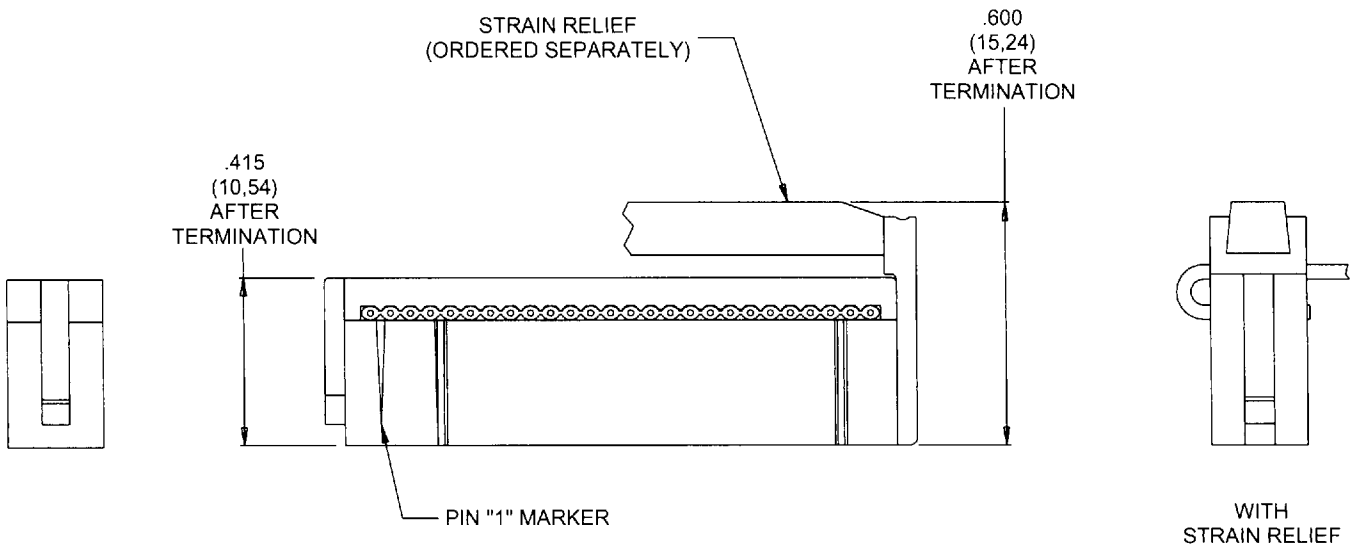
CURRENT RATING:	1 AMPERE
CONTACT RESISTANCE:	20 MILLIOHMS MAX. (INITIAL) 10 MILLIOHMS MAX INCREASE DURING LIFE
VOLTAGE:	500 VAC
INSULATION RESISTANCE:	5000 MEGOHMS MIN.
DIELECTRIC WITHSTANDING VOLTAGE:	500 VAC

ENVIRONMENTAL:

TEMPERATURE RATING:	-55°C TO +105°C
---------------------	-----------------

UNPOLARIZED VERSION

HOLLINGSWORTH



Size	Part Numbers			Dimensions					
	Gold Flash	15 μ Gold	30 μ Gold	"A" Dim		"B" Dim		"C" Dim	
10	6300-0001	6300-0049	6300-0097	.680	(17.27)	.580	(14.73)	.400	(10.16)
14	6300-0005	6300-0053	6300-0101	.880	(22.35)	.780	(19.81)	.600	(15.24)
16	6300-0009	6300-0057	6300-0105	.980	(24.89)	.880	(22.35)	.700	(17.78)
20	6300-0013	6300-0061	6300-0109	1.180	(29.97)	1.080	(27.43)	.900	(22.86)
26	6300-0021	6300-0069	6300-0117	1.480	(37.59)	1.380	(35.05)	1.200	(30.48)
34	6300-0029	6300-0077	6300-0125	1.880	(47.75)	1.780	(45.21)	1.600	(40.64)
40	6300-0034	6300-0081	6300-0129	2.180	(55.37)	2.080	(52.83)	1.900	(48.26)
50	6300-0038	6300-0085	6300-0133	2.680	(68.07)	2.580	(65.53)	2.400	(60.96)
60	6300-0045	6300-0089	6300-0137	3.180	(80.77)	3.080	(78.23)	2.900	(73.66)

9011185 000011 653