

10 9 8 7 6 5 4 3 2 1

番号 NO.	名称 NAME	原料 MATERIAL	数量 QTY	仕上げ FINISH
①	ウエハー WEFAR	ナイロン NYLON	I	UL94V-0
②	ピン PIN	黄銅 BRASS	N	全体錫メッキ PRE-TINNED

注) NOTES

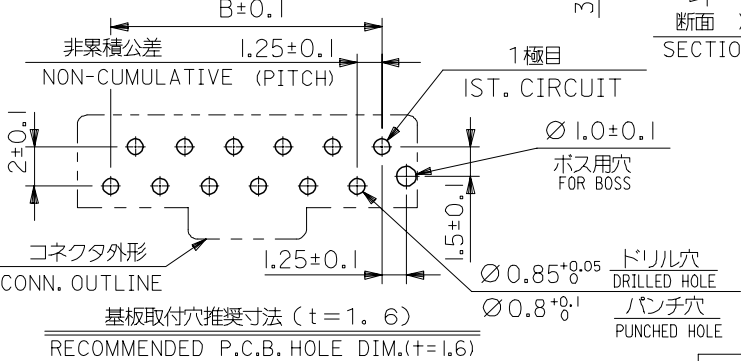
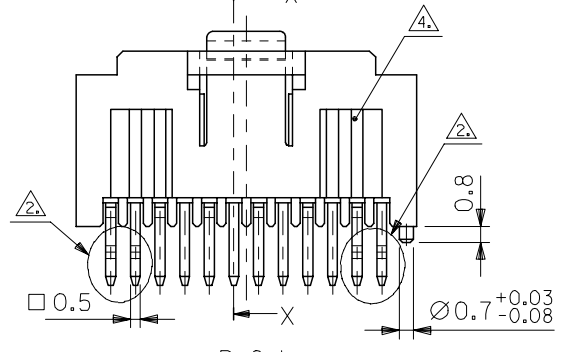
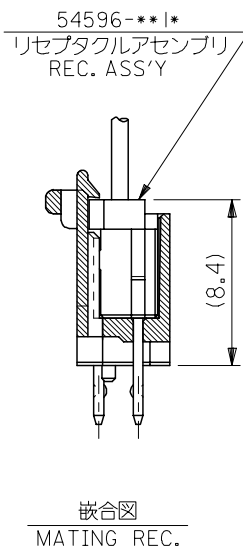
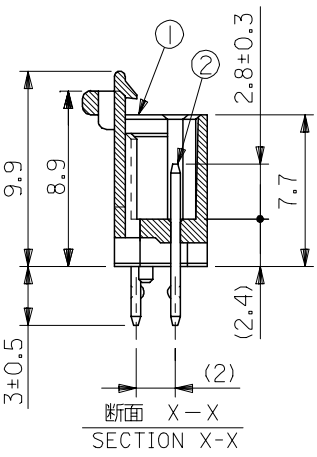
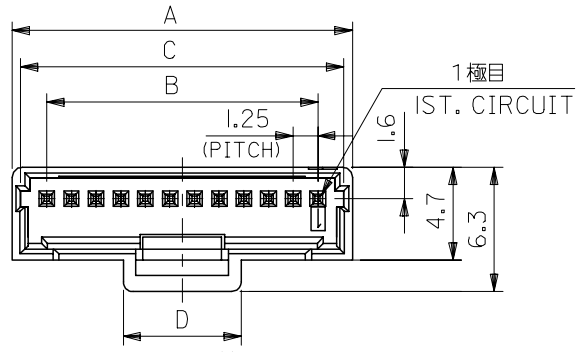
1. 原料および仕上げ : 表参照
MATERIAL AND FINISH : SEE CHART

△ キンクは、両サイド4ピンに適用。(4極品までは、全極に適用)
TO BE APPLICABLE 4PIN OF BOTH SIDE.

△ 製品番号
MATERIAL NO.
54596-***1*

極数 CIRCUIT SIZE(02-20)
色 COLOR 10 : 自然色 NATURAL
12 : 赤 RED
13 : 黄 YELLOW

△ 側面の溝は、10 極以上に適用。
SIDE DITCHES MUST BE APPLICABLE OVER 10CIRCUIT SIZE.



6	26.4	23.75	27.25	20	55447-20 *
	25.15	22.5	26	19	-19 *
	23.9	21.25	24.75	18	-18 *
	22.65	20	23.5	17	-17 *
	21.4	18.75	22.25	16	-16 *
	20.15	17.5	21	15	-15 *
	18.9	16.25	19.75	14	-14 *
	17.65	15	18.5	13	-13 *
	16.4	13.75	17.25	12	-12 *
	15.15	12.5	16	11	-11 *
4.75	13.9	11.25	14.75	10	-10 *
	12.65	10	13.5	9	-09 *
	11.4	8.75	12.25	8	-08 *
	10.15	7.5	11	7	-07 *
D	8.9	6.25	9.75	6	-06 *
	7.65	5	8.5	5	-05 *
	6.4	3.75	7.25	4	-04 *
	5.15	2.5	6	3	-03 *
	3.9	1.25	4.75	2	55447-02 *

REVISED EC NO: J2005-2687 DRWN: HOSOKAWA CHKD: TOYODA APPR: NUKITA	GENERAL TOLERANCES (UNLESS SPECIFIED)		DIMENSION STYLE MM ONLY		SCALE 4:1	DESIGN UNITS METRIC	THIRD ANGLE PROJECTION
	10 UNDER	±0.2	DRAWN BY MYAGI	DATE '99/05/06	TITLE MINI M12 I-ROW WAFER ASS'Y(SN)		
	10 OVER 30 UNDER	±0.25	CHECKED BY YIITO	DATE '99/05/06	MOLEX INCORPORATED		
	30 OVER	±0.3	APPROVED BY HIKESUGI	DATE '99/05/06	DOCUMENT NO. SD-55447-003	SHEET NO. 1 OF 2	
	ANGULAR	±3 °	MATERIAL NO. SEE CHART	THIS DRAWING CONTAINS INFORMATION THAT IS PROPRIETARY TO MOLEX INCORPORATED AND SHOULD NOT BE USED WITHOUT WRITTEN PERMISSION			

10 9 8 7 6 5 4 3 2 1

F

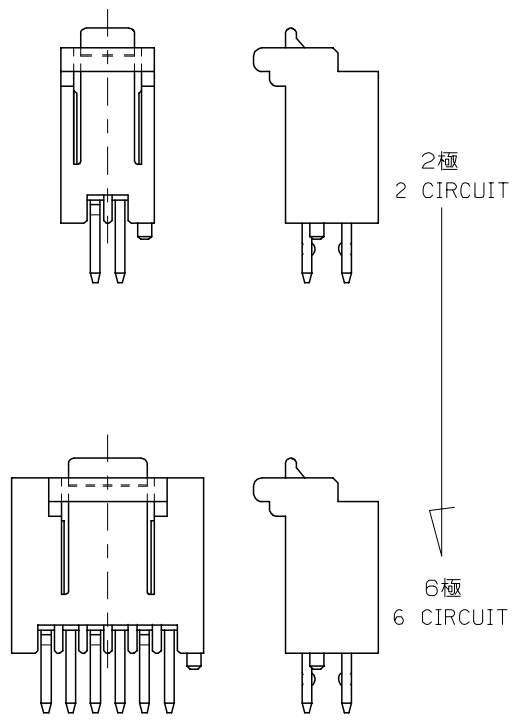
E

D

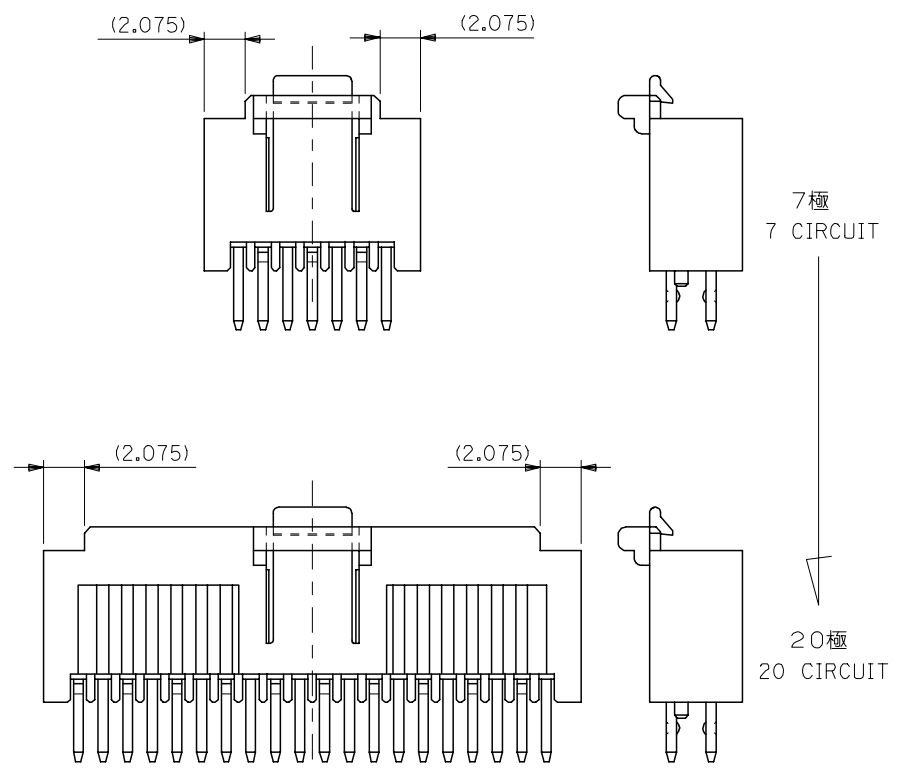
C

B

A



2極~6極のハウジング形状
SHAPE OF HS'G FROM 2 TO 6 CIRCUIT



7極~20極のハウジング形状
SHAPE OF HS'G FROM 7 TO 20 CIRCUIT

REVISED EC NO: J2005-2687 DRAWN: HOSOKAWA 2005/03/25 CHKD: KTOYODA 2005/03/25 APPR: NUKITA 2005/04/05	GENERAL TOLERANCES (UNLESS SPECIFIED)		DIMENSION STYLE MM ONLY		SCALE 4:1	DESIGN UNITS METRIC	THIRD ANGLE PROJECTION		
	10 UNDER	±0.2	DRAWN BY MYAGI		DATE '99/05/06	TITLE MINI M12 I-ROW WAFER ASSY(SN)			
	10 OVER 30 UNDER	±0.25	CHECKED BY YITO		DATE '99/05/06				
	30 OVER	±0.3	APPROVED BY HIKESUGI		DATE '99/05/06	MOLEX INCORPORATED			
	ANGULAR	±3 °	MATERIAL NO.		DOCUMENT NO. SD-55447-003				
DRAFT WHERE APPLICABLE MUST REMAIN WITHIN DIMENSIONS		SEE CHART		THIS DRAWING CONTAINS INFORMATION THAT IS PROPRIETARY TO MOLEX INCORPORATED AND SHOULD NOT BE USED WITHOUT WRITTEN PERMISSION					