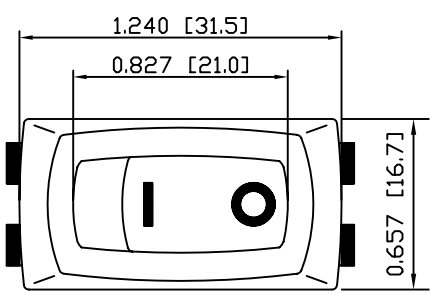


8 7 6 5 4 3 2 1

A



SCHEMATIC



SPECIFICATIONS

FUNCTION:
1P1T OFF-ON

RATINGS:
20A 125VAC [UL, cUL]
16A 250VAC [UL, cUL]
3/4 HP 250VAC [UL, cUL]
16(4)A 250V~1E4 T125 [European]
10(2)A 250V~5E4 T125 [European]

ELECTRICAL LIFE:
10,000 Cycles

CONTACT RESISTANCE:
20mΩ at 1A 5VDC

INSULATION RESISTANCE:
100MΩ at 500VDC

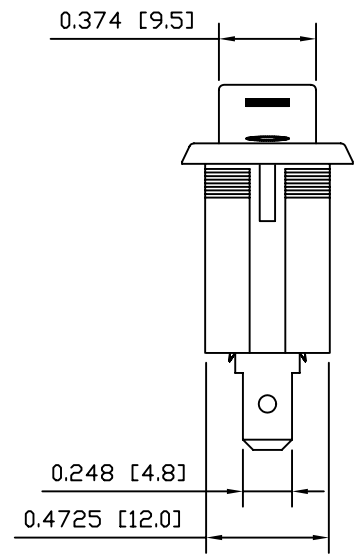
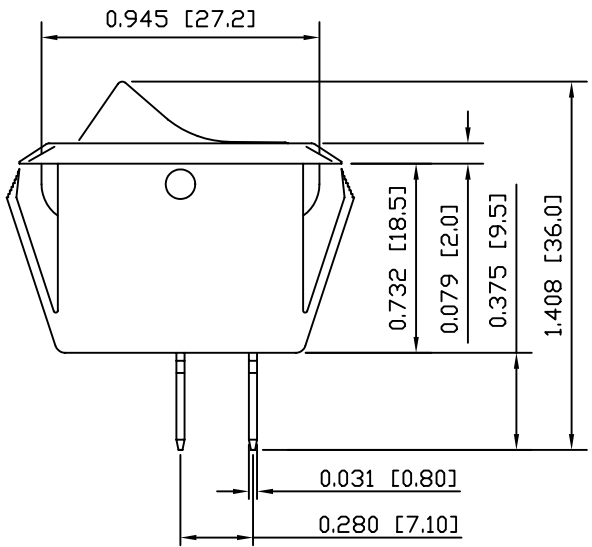
WITHSTAND VOLTAGE:
1000VAC For 1 Minute

TEMPERATURE:
-20°C to 125°C

PACKAGING:
Bulk

A

B



B

C

COLORS AND MARKINGS

Body Color:
White

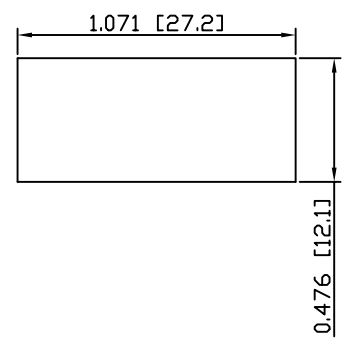
Actuator Color:
Black, Green

Marking Color:
White

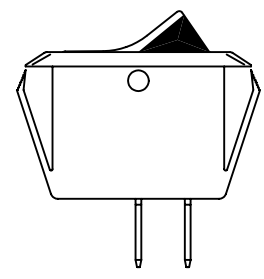
Marking Type:
I/O Horizontal

C

SUGGESTED PANEL CUTOUT



BI-COLOR ACTUATOR



MATERIALS

BODY:
Polyamide 6/6, UL94V-2

ACTUATOR:
Polyamide 6/6, UL94V-2

CONTACTS:
Silver-Cadmium Alloy

TERMINALS:
Silver Plated Copper

D

	P.O. Box 25110 Portland, OR 97298	LAST REVISION: MAY 6, 2004
	DRAWING NUMBER: 14-RSC211D2G2R	

UNLESS OTHERWISE SPECIFIED, DIMENSIONS ARE IN INCHES [MILLIMETERS]	
TOLERANCES ARE:	
DEC .X±0.2	ANG ± 1°
.XXX±0.008	DRAWING NOT TO SCALE

RSC211D2G2R

8 7 6 5 4 3 2 1