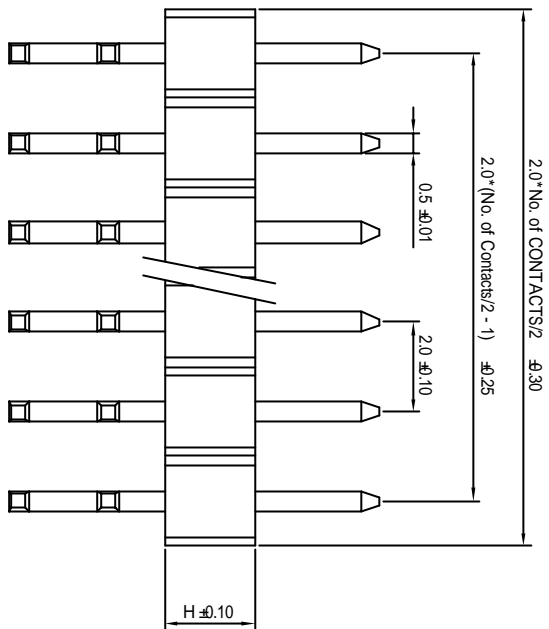
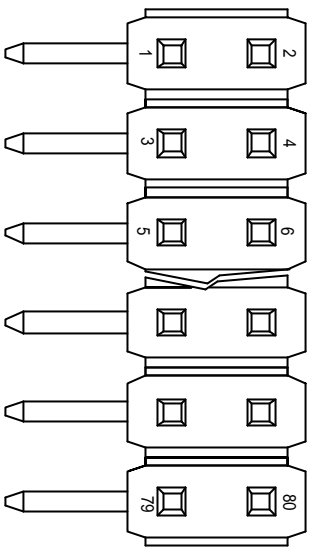
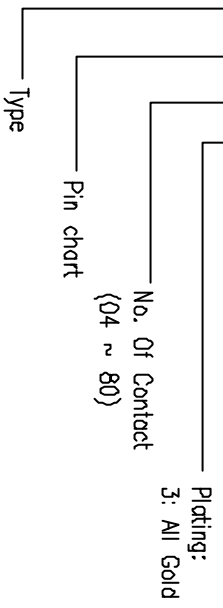


CUSTOMER COPY



ORDER INFORMATION

183 24 XX XX X



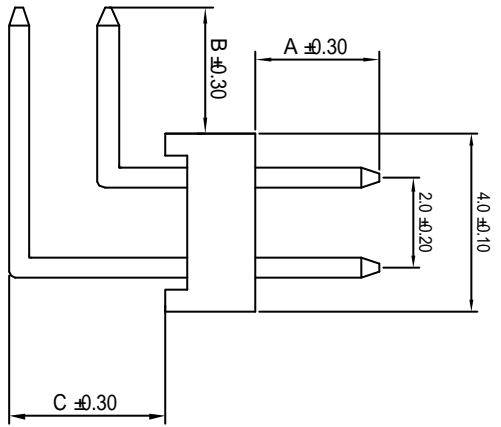
REV	ECN NO.	APP.	DATE
A	NEW DESIGN		

SPECIFICATION

- * Current Rating: 1 A
- * Withstanding Voltage: 600 VAC (1 min.)
- * Insulation Resistance: 1000 Megohms MIN.
- * Contact Resistance: 30 Milliohms MAX.
- * Operating Temperature: -40°C to +85°C
- * Retention Force: 600g MIN.

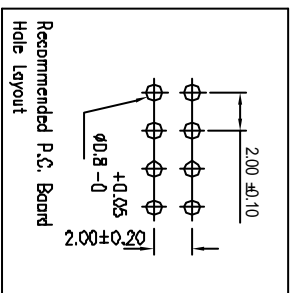
MATERIAL

- * Contact: BRASS
- * Insulator: High temperature plastic
- * Plating: All Gold



Pin Chart

No.	A	B	C	H
00	4.00	2.80	4.00	2.00
01	3.90	3.20	3.00	2.00
02	3.90	2.80	3.40	2.00
03	4.00	2.80	3.25	2.00
04	4.00	2.80	3.60	2.00
05				



钰滿榮企業股份有限公司
ACMELUX CO., LTD.

D.O.I	SCALE:	TITLE:	PART NO:
D.O.OI	UNIT: MM	2.00X2.00MM (.079"*.079") PIN HEADER Dual Row	109600
D.O.OOI		MATL: PBT + 30% G.F.	CHK BY:
		DWG. NO. C18324XXXXX	DR BY: JACK LIN