

SPECIFICATIONS

Mechanical

Contact Retention Force: 1.36Kgf min.

Electrical

Voltage Rating: 250V

Current Rating: 2.0A max.per pin

Dielectric Withstanding Voltage: 1000V AC

Insulation Resistance: 1000MΩ min.

Physical

Housing: High Temperature Nylon, UL 94V-0 Rating In Color Black

Contact: Copper alloy

Plating: See "ORDERING INFORMATION"

Operating Temperature: -40 to +85

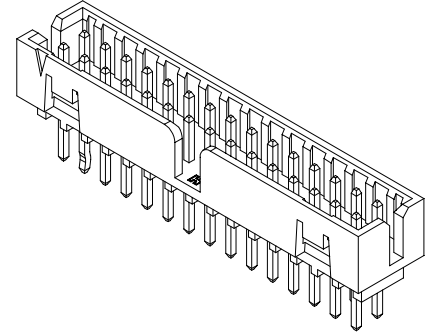
Header Connector

HL57 Series

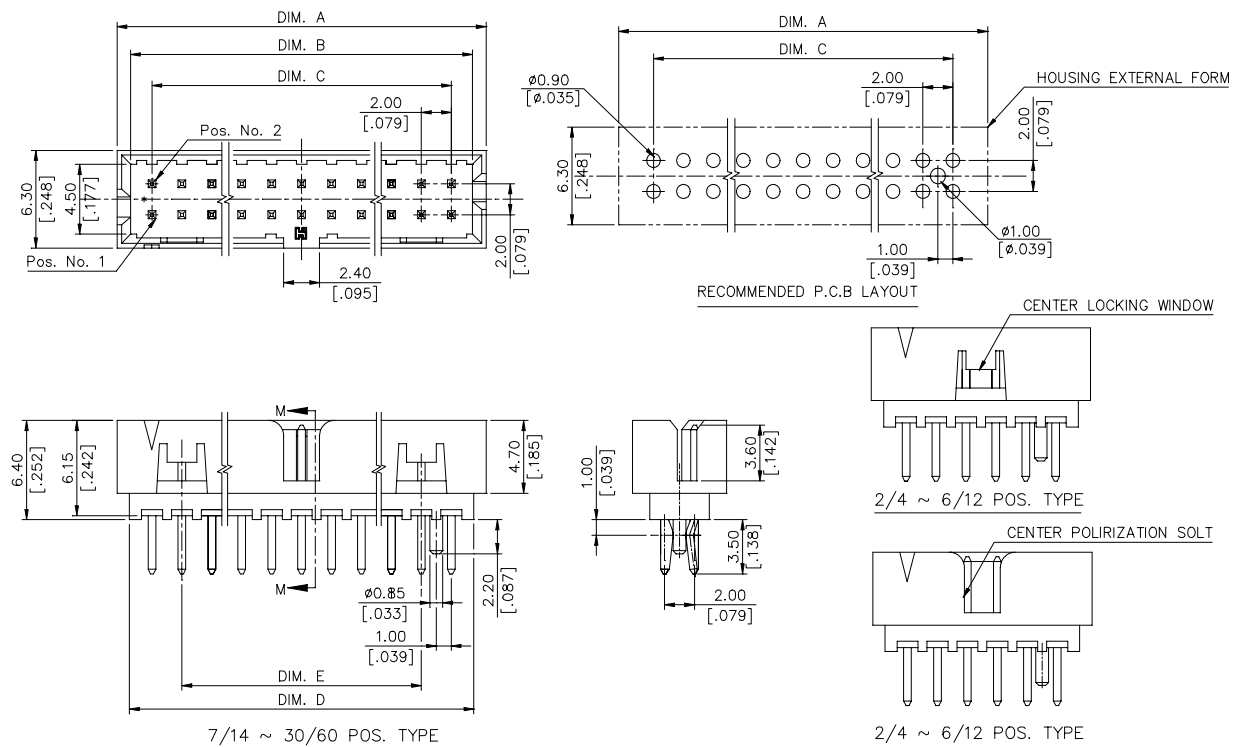
Vertical, T/H Type

Plug

2.00mm [.079"] Pitch



DRAWING



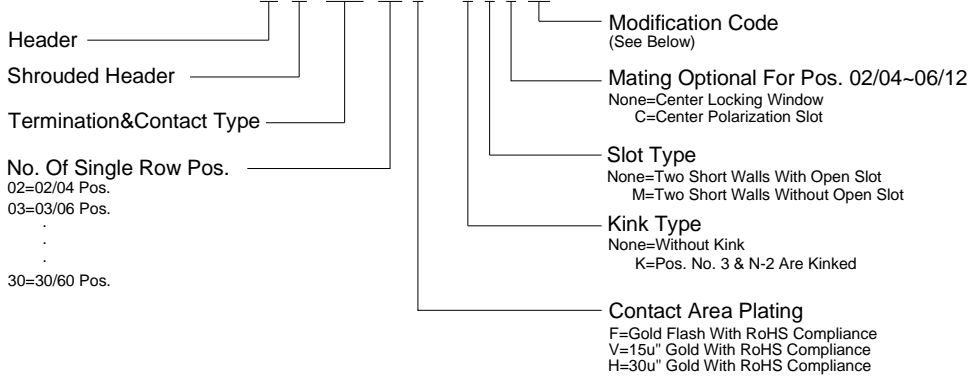
ORDERING INFORMATION

See The Attachment I

See The Attachment II

The Attachment I

PRODUCT No. : H L 5 7 * * * - * * * *



Modification Code

CODE	REMOVED PINS	CODE	REMOVED PINS	CODE	REMOVED PINS	CODE	REMOVED PINS
NONE	FULL PIN	NONE	FULL PIN	NONE	FULL PIN	NONE	FULL PIN
D0	POS. NO. 1	E5	POS. NO. 9 & 10	L6	POS. NO. 14	T9	POS. NO. 25, 27 & 28
D1	LAST PIN	P0	POS. NO. 4	L7	POS. NO. 16	U0	POS. NO. 3, 5, 7 & 9
D2	POS. NO. 20	P1	POS. NO. 6	L8	POS. NO. 1,2,3,4,14,15&16	U1	POS. NO. 3 & 5
D3	POS. NO. 21	P3	POS. NO. 7	L9	POS. NO. 25	U2	POS. NO. 11
D4	POS. NO. 8	P4	POS. NO. 5	T0	POS. NO. 1,2,10,11&12	U3	POS. NO. 19
D6	POS. NO. 25	P5	POS. NO. 10	T1	POS. NO. 7 & 8	U4	POS. NO. 13
D7	POS. NO. 26	P6	POS. NO. 2	T2	POS. NO. 3, 25 & 26	U5	POS. NO. 13,15 & 16
D8	POS. NO. 28	P7	POS. NO. 3	T3	POS. NO. 8 & N	U6	POS. NO. 4 & 7
D9	POS. NO. 15	P8	POS. NO. 17	T4	POS. NO. 3, 19, 20 & 29	U7	POS. NO. 8 & 13
E1	POS. NO. 24	P9	POS. NO. 9	T5	POS. NO. 8 & 9	U8	POS. NO. 4, 5 & 6
E2	POS. NO. 22	L1	POS. NO. 12	T6	POS. NO. 3 & LAST PIN	U9	POS. NO. 1 & 11
E3	POS. NO. 30	L3	POS. NO. 32	T7	POS. NO. 8 & 19		
E4	POS. NO. 38	L5	POS. NO. 18	T8	POS. NO. 30 & 32		

REMARK:

- (1) NONE: STANDARD PRODUCT
- (X): TO BE SPECIFIED ON CORRELATIVE CUSTOMER DRAWING
- (2) NONE: STANDARD PRODUCT (COLOR BLACK)
- K: THE FIRST & LAST PAIRS OF TERMINALS ARE DEFORMED WITH KINKS
- (3) FOR REMOVED PIN(S) LOCATED AT FIRST OR LAST PAIR, KINKED POSITION(S) SHOULD BE CHANGED TO THE NEAREST PAIR.

The Attachment II

HL5730*-*****	60	60.65 [2.388]	58.85 [2.306]	58.00 [2.285]	61.00 [2.403]	54.00 [2.128]
HL5725*-*****	50	52.65 [2.074]	50.85 [2.003]	48.00 [1.891]	51.00 [2.009]	44.00 [1.734]
HL5722*-*****	44	46.65 [1.838]	44.85 [1.767]	40.00 [1.655]	45.00 [1.773]	38.00 [1.497]
HL5717*-*****	34	36.65 [1.452]	34.85 [1.373]	32.00 [1.261]	35.00 [1.379]	28.00 [1.103]
HL5715*-*****	30	32.65 [1.286]	30.85 [1.215]	28.00 [1.103]	31.00 [1.221]	24.00 [0.946]
HL5713*-*****	26	28.65 [1.129]	26.85 [1.057]	24.00 [0.946]	27.00 [1.064]	20.00 [0.788]
HL5712*-*****	24	26.65 [1.050]	24.85 [0.979]	22.00 [0.867]	25.00 [0.985]	18.00 [0.709]
HL5711*-*****	22	24.65 [0.971]	22.85 [0.900]	20.00 [0.788]	23.00 [0.906]	16.00 [0.630]
HL5710*-*****	20	22.65 [0.892]	20.85 [0.821]	18.00 [0.709]	21.00 [0.827]	14.00 [0.551]
HL5709*-*****	18	20.65 [0.814]	18.85 [0.743]	16.00 [0.630]	19.00 [0.749]	12.00 [0.472]
HL5708*-*****	16	18.65 [0.735]	16.85 [0.663]	14.00 [0.551]	17.00 [0.670]	10.00 [0.394]
HL5707*-*****	14	16.65 [0.656]	14.85 [0.585]	12.00 [0.472]	15.00 [0.591]	8.00 [0.315]
HL5706*-*****	12	14.65 [0.577]	12.85 [0.506]	10.00 [0.394]	13.00 [0.512]	
HL5705*-*****	10	12.65 [0.498]	10.85 [0.427]	8.00 [0.315]	11.00 [0.433]	
HL5704*-*****	08	10.65 [0.419]	8.85 [0.348]	6.00 [0.236]	9.00 [0.354]	
HL5703*-*****	06	8.65 [0.341]	6.85 [0.270]	4.00 [0.157]	7.00 [0.276]	
HL5702*-*****	04	6.65 [0.262]	4.85 [0.191]	2.00 [0.079]	5.00 [0.197]	
P/N	POS.	DIM. A	DIM. B	DIM. C	DIM. D	DIM. E